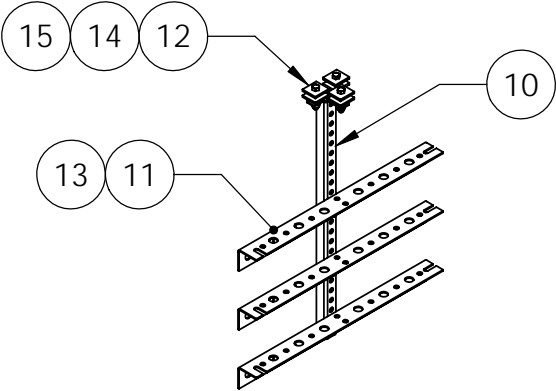
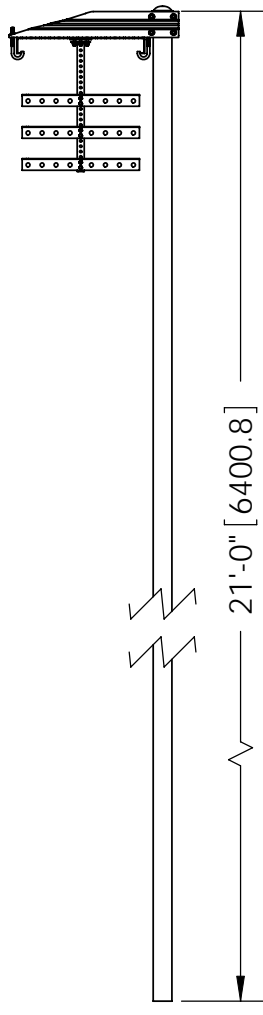
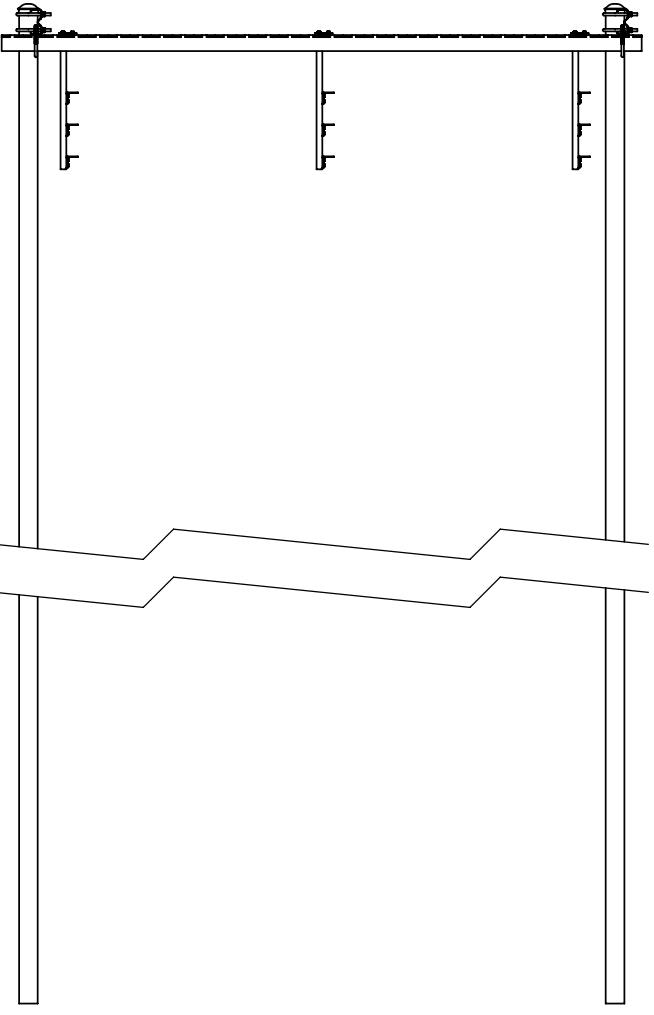
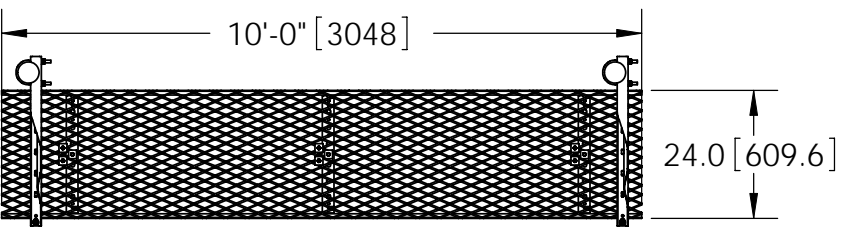
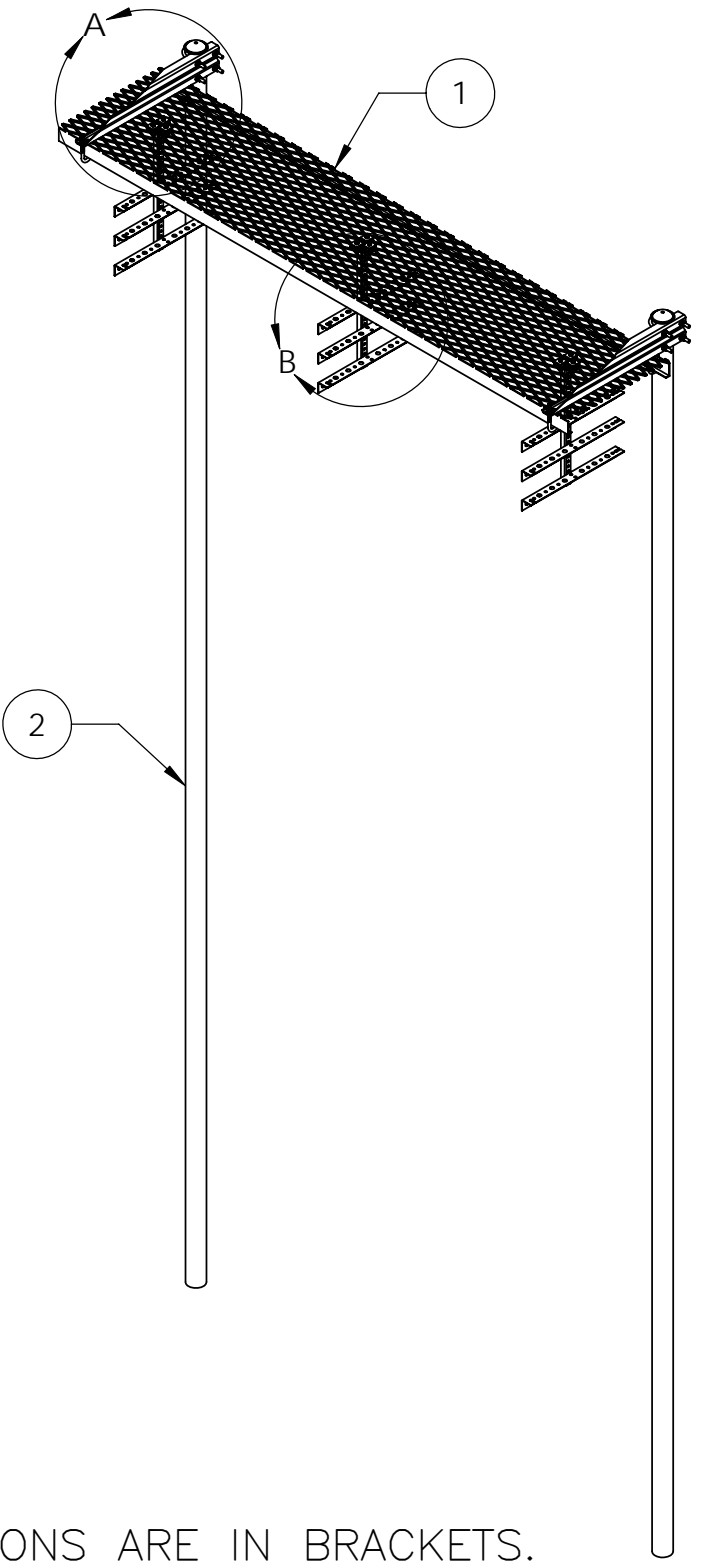
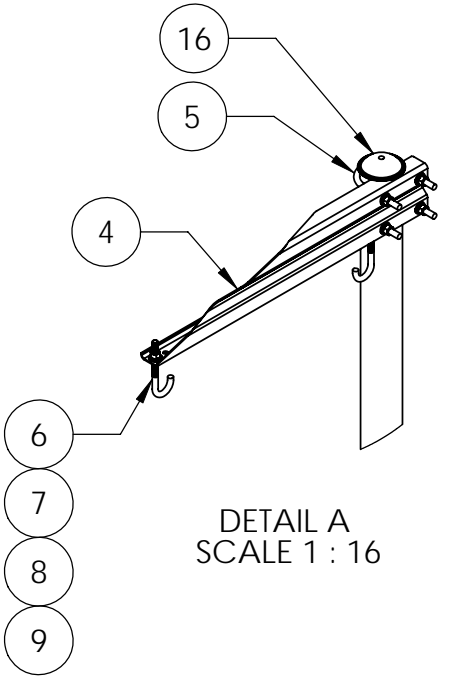



ITEM	PART NO.	DESCRIPTION	QTY.	WEIGHT
1	WB-CY210	SAFETY GRATING 24" X 10'	1	111.00 LBS
2	MT-547	Ø 3.5" O.D. X 21' PIPE	2	159.67 LBS
3	WBK210BHK	HARDWARE KIT (ITEMS 4-16)	1	
4	WBLB243.08	24" WAVEGUIDE BRIDGE SUPPORT BRACKET	2	7.14 LBS
5	GUB-4356	1/2" X 3-5/8" X 6" GALV U-BOLT KIT	4	0.83 LBS
6	WBJB6	1/2" J-BOLT	4	0.41 LBS
7	GWF-04	1/2" GALV FLAT WASHER	4	0.01 LBS
8	GWL-04	1/2" GALV LOCK WASHER	4	0.01 LBS
9	GN-04	1/2" GALV HEX NUT	4	0.04 LBS
10	WBT243.01	VERTICAL TRAPEZE SECTION	3	2.53 LBS
11	WBT243.02	HORIZONTAL TRAPEZE SECTION	9	2.81 LBS
12	MT-387	SQUARE WASHER, 1-1/2" X 1-5/8" W/ 7/16" HOLE	18	0.12 LBS
13	GB-03105	3/8" X 1" GALV BOLT KIT	18	0.04 LBS
14	GB-03205	3/8" X 2" GALV BOLT KIT	9	0.04 LBS
15	GWF-03	3/8" GALV FLAT WASHER	9	0.01 LBS
16	PC-034	PIPE CAP 3-1/2"	2	0.94 LBS

REVISIONS				
REV.	ZONE	DESCRIPTION	BY	DATE
A		INITIAL RELEASE	AW	06/28/06
B		UPDATE HARDWARE KIT & BOM	ACG	10/22/08



NOTES:
1. ALL METRIC DIMENSIONS ARE IN BRACKETS.

<small>These drawings and specifications are the proprietary property of ANDREW CORPORATION and may be used only for the specific purpose authorized in writing by Andrew Corporation.</small> ALL DIMENSIONS ARE IN INCHES U.O.S. TOLERANCES UNLESS OTHERWISE SPECIFIED: .X = ± .12 ANGLES ±2° .XX = ± .06 FRACTIONS ±1/32 .XXX = ± .030 REMOVE BURRS AND BREAK EDGES .005 DO NOT SCALE THIS PRINT	DRAWN BY: ACG	SHEET: 1 of 1	PART NUMBER: WB-K210-B2I
	CHECKED BY: TP	SCALE: NTS	DESCRIPTION: WAVEGUIDE BRIDGE KIT
	DATE: 06/28/06	MATERIAL: A36, A53, A568	DRAWING TYPE: ASSEMBLY DRAWING
	REVISION: B	FINISH: GALV A123	 WESTCHESTER, IL. 60154 U.S.A.
	WEIGHT: 489.77 LBS		