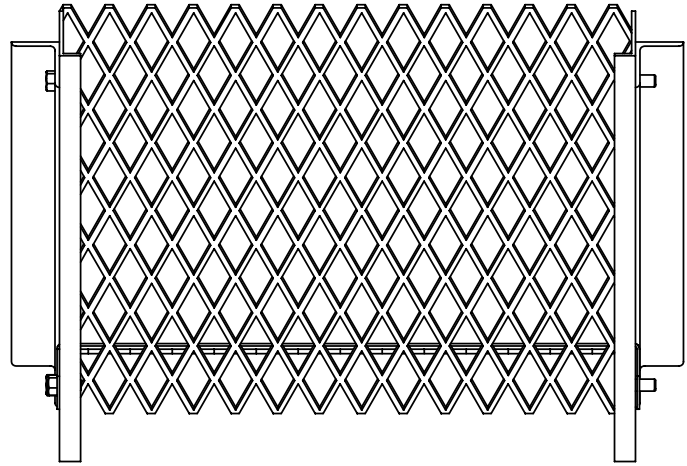
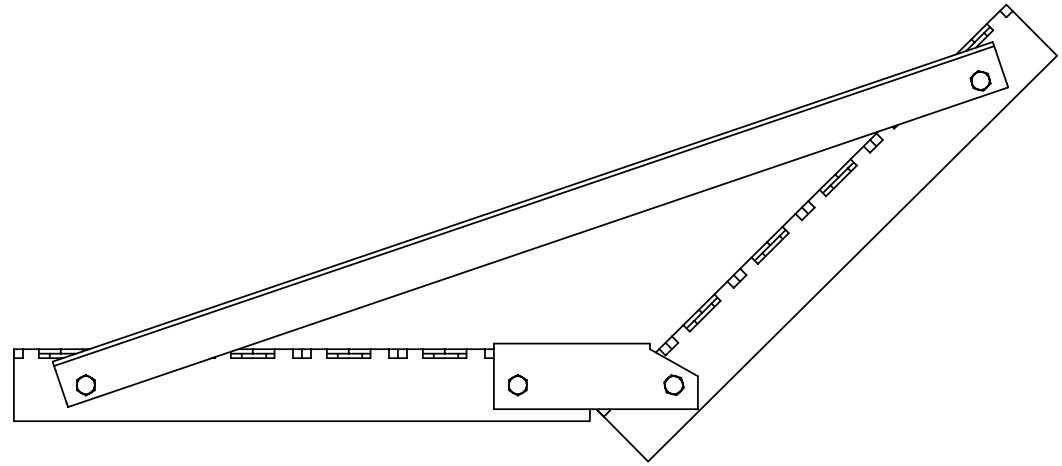
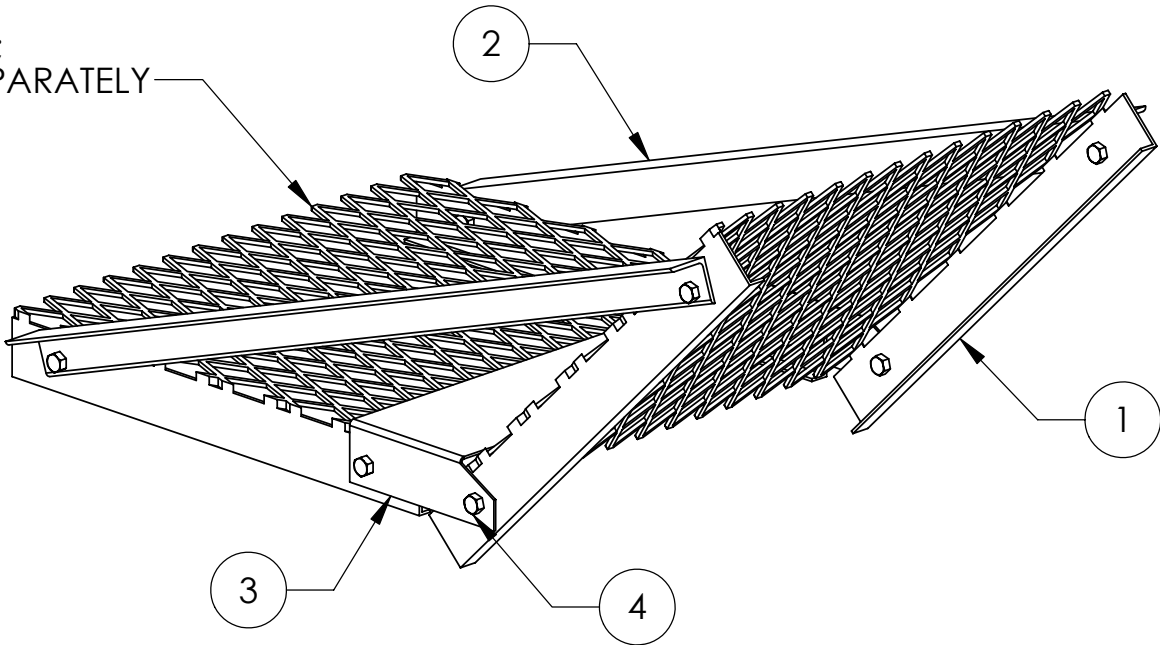
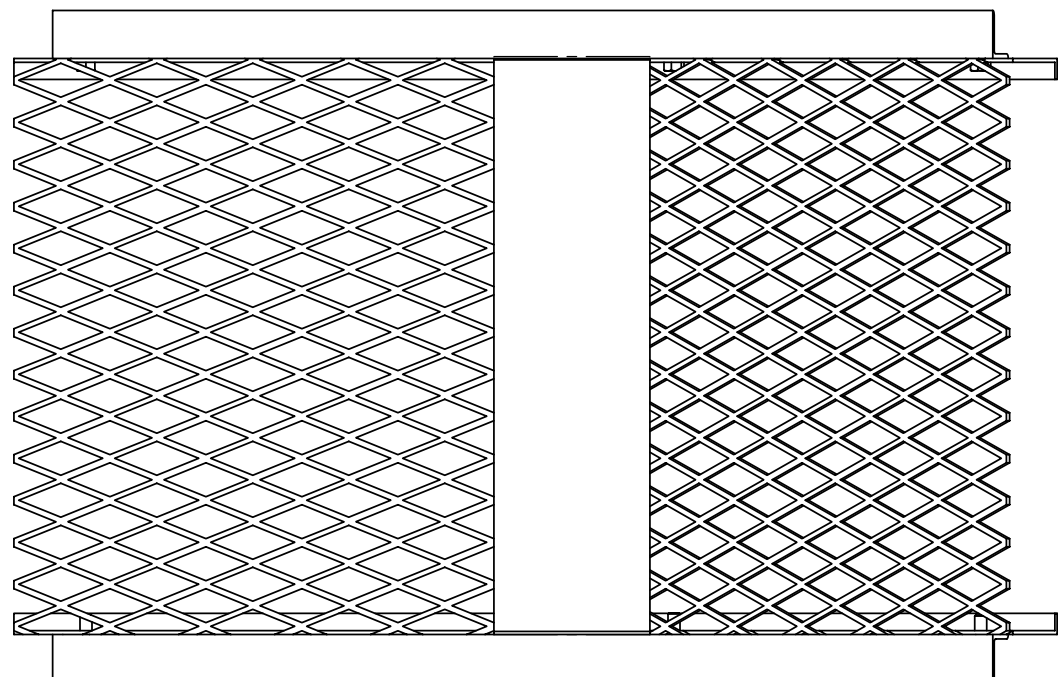



ITEM	PART NUMBER	DESCRIPTION	QTY.	WEIGHT
1	WBEXT.01	24" GRIP STRUT	1	15.89 LBS
2	WBEXT.02	ANGLE BRACE	2	8.22 LBS
3	WBSP.01	CHANNEL SPLICE	1	5.83 LBS
4	GB-04105	1/2" X 1" GALV. BOLT ASSY	8	0.11 LBS

REVISIONS				
REV.	ZONE	DESCRIPTION	BY	DATE
A		INITIAL RELEASE	ACG	02/21/03
B		REDRAWN IN SOLIDWORKS	AW	05/10/06

GRIP STRUT BRIDGE CHANNEL;
SHOWN AS PARTIAL, SOLD SEPARATELY



<small>These drawings and specifications are the proprietary property of ANDREW CORPORATION and may be used only for the specific purpose authorized in writing by Andrew Corporation.</small> <small>ALL DIMENSIONS ARE IN INCHES U.O.S. TOLERANCES UNLESS OTHERWISE SPECIFIED:</small> .X = ± .06 ANGLES ± 2° .XX = ± .03 FRACTIONS ± 1/32 .XXX = ± .010 <small>REMOVE BURRS AND BREAK EDGES .005</small> DO NOT SCALE THIS PRINT	<small>DRAWN BY:</small> ACG	<small>SHEET:</small> 1 of 1	<small>PART NUMBER:</small> WB-EXT
	<small>CHECKED BY:</small> TP	<small>SCALE:</small> NTS	<small>DESCRIPTION:</small> 2' EXTENSION KIT
	<small>DATE:</small> 02/21/03	<small>MATERIAL:</small> A36	<small>DRAWING TYPE:</small> ASSEMBLY DRAWING
	<small>REVISION:</small> B	<small>FINISH:</small> GALV A123 <small>WEIGHT:</small> 54.89 LBS	 ANDREW ® <small>ORLAND PARK, IL. 60462 U.S.A.</small>