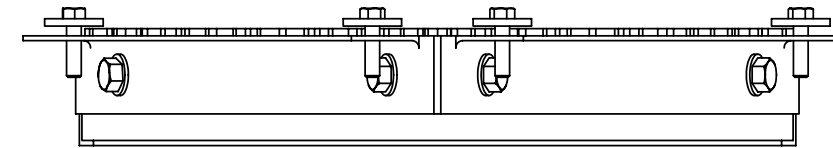
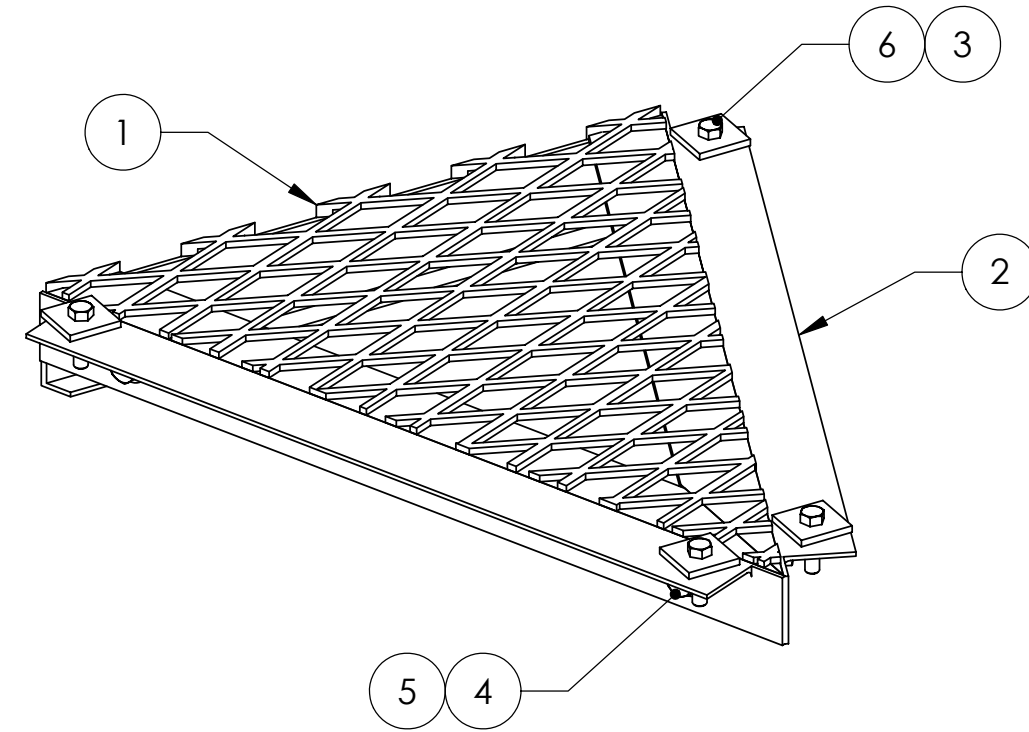
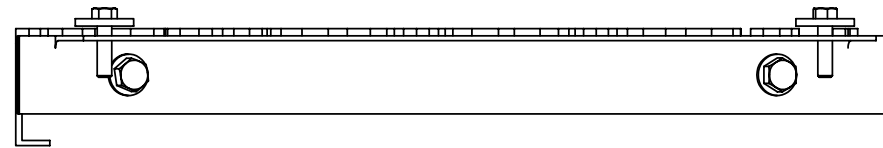
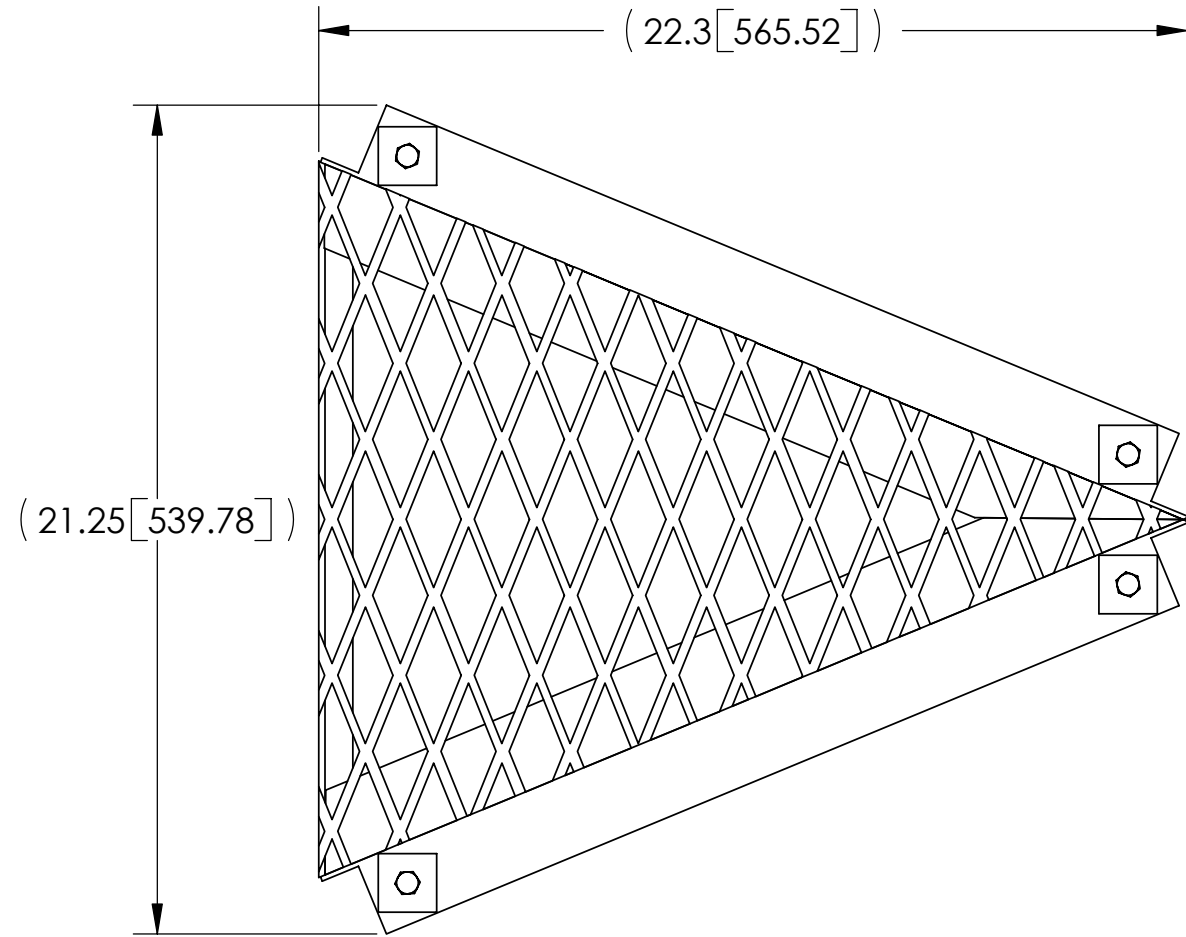



ITEM	PART NUMBER	DESCRIPTION	QTY.	WEIGHT
1	WBCF45.01	45 DEG. FILLER	1	14.74 LBS
2	MT-C6014.05	ANGLE END	2	3.11 LBS
3	MT-387	SQUARE WASHER, 1 1/2" X 1 1/2" W/ 7/16" HOLE	4	0.11 LBS
4	GB-04125	1/2" X 1-1/4" GALV BOLT KIT	4	0.12 LBS
5	GWF-04	1/2" GALV FLAT WASHER	4	0.02 LBS
6	GB-03145	3/8" X 1-1/2" GALV BOLT KIT	4	0.07 LBS

REVISIONS				
REV.	ZONE	DESCRIPTION	BY	DATE
A		INITIAL RELEASE	ACG	02/20/03
B		REDRAWN IN SOLIDWORKS	AW	03/03/06



<p>These drawings and specifications are the proprietary property of ANDREW CORPORATION and may be used only for the specific purpose authorized in writing by Andrew Corporation.</p> <p>ALL DIMENSIONS ARE IN INCHES U.O.S. TOLERANCES UNLESS OTHERWISE SPECIFIED:</p> <p>.X = ± .06 ANGLES ± 2° .XX = ± .03 FRACTIONS ± 1/32 .XXX = ± .010</p> <p>REMOVE BURRS AND BREAK EDGES .005</p> <p>DO NOT SCALE THIS PRINT</p>	DRAWN BY: ACG	SHEET: 1 of 1	PART NUMBER: WB-CF45
	CHECKED BY: TP	SCALE: NTS	DESCRIPTION: 45° FILLER KIT
	DATE: 02/20/03	MATERIAL: A36	DRAWING TYPE: ASSEMBLY DRAWING
	REVISION: B	FINISH: GALV A123	
	WEIGHT: 22.24 LBS	ORLAND PARK, IL. 60462 U.S.A.	