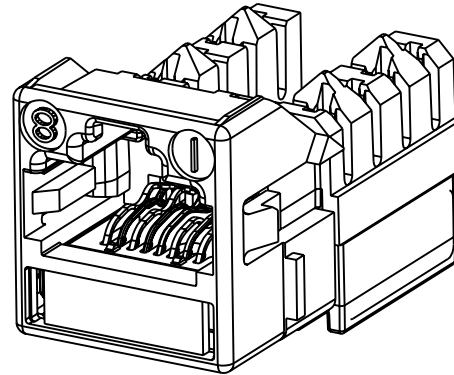
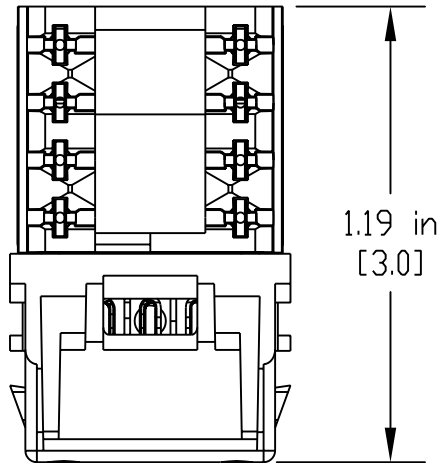


CATALOG NO.	DESCRIPTION	WEIGHT (lbs.)
UNJ600-XX	CAT 6 OUTLET	0.04



NOTES:

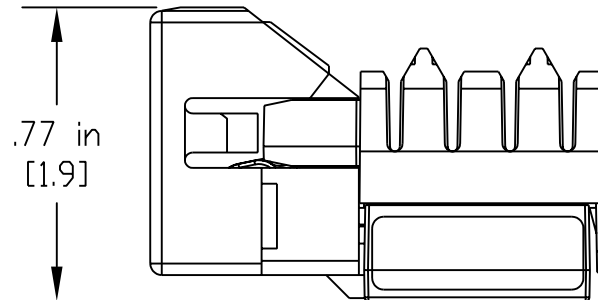
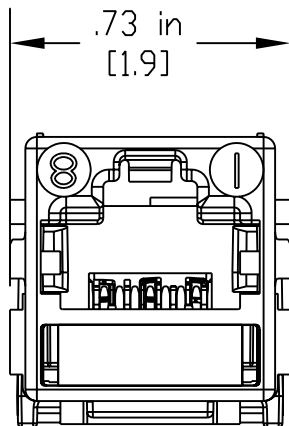
1. SEE UNIPRISE CATALOG FOR PART NUMBER SUFFIXES TO INDICATE COLOR/PKG.

2. SEE UNIPRISE CATALOG FOR COMPLETE LIST OF PARTS RELATED TO THE USE OF THIS PRODUCT.

3. DIMENSIONS IN PARENTHESES ARE IN METRIC.

4. PART INCLUDES:

- (1) WIRE CAP
- (1) SNAP-ON DATA ICON
- (1) SNAP-ON VOICE ICON
- (1) SNAP-ON BLANK ICON



UNJ600-XX

COMMSCOPE, INC HICKORY, NORTH CAROLINA

Uniprise

DRAWN BY

DATE

DWG NO.

REV	DATE	ECR	DESCRIPTION	BY