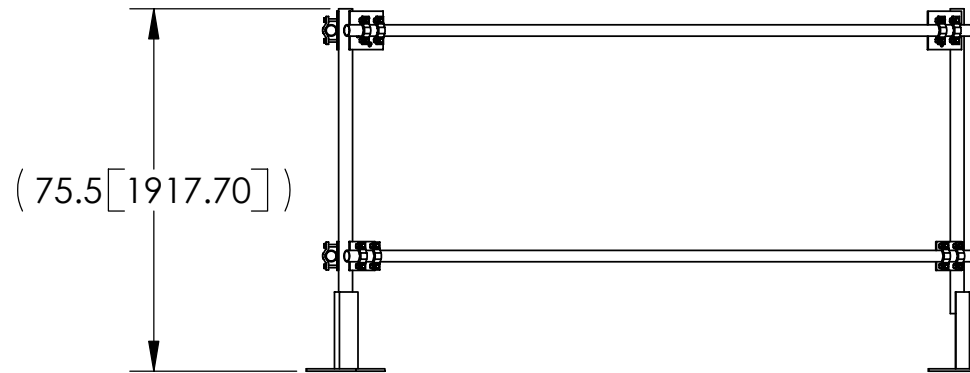
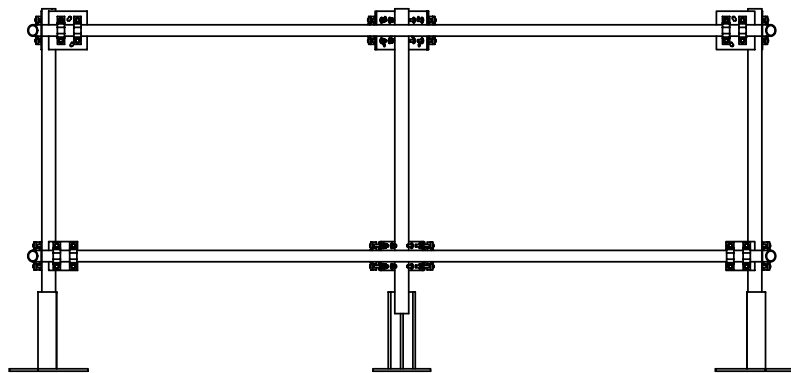
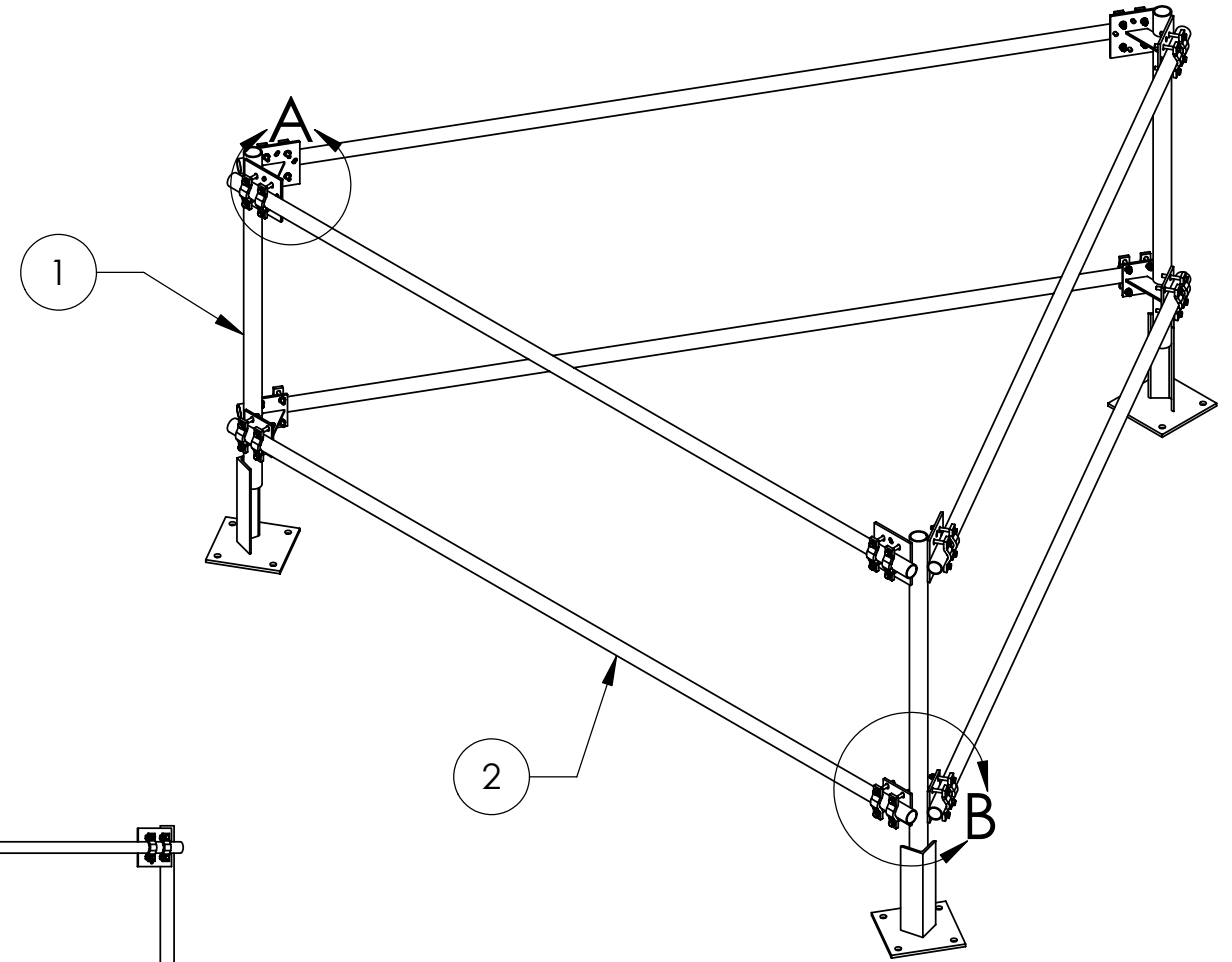
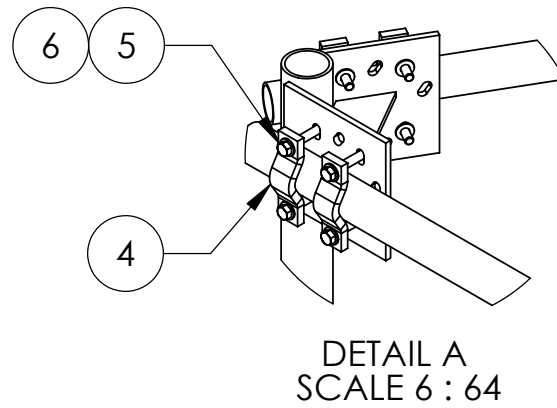
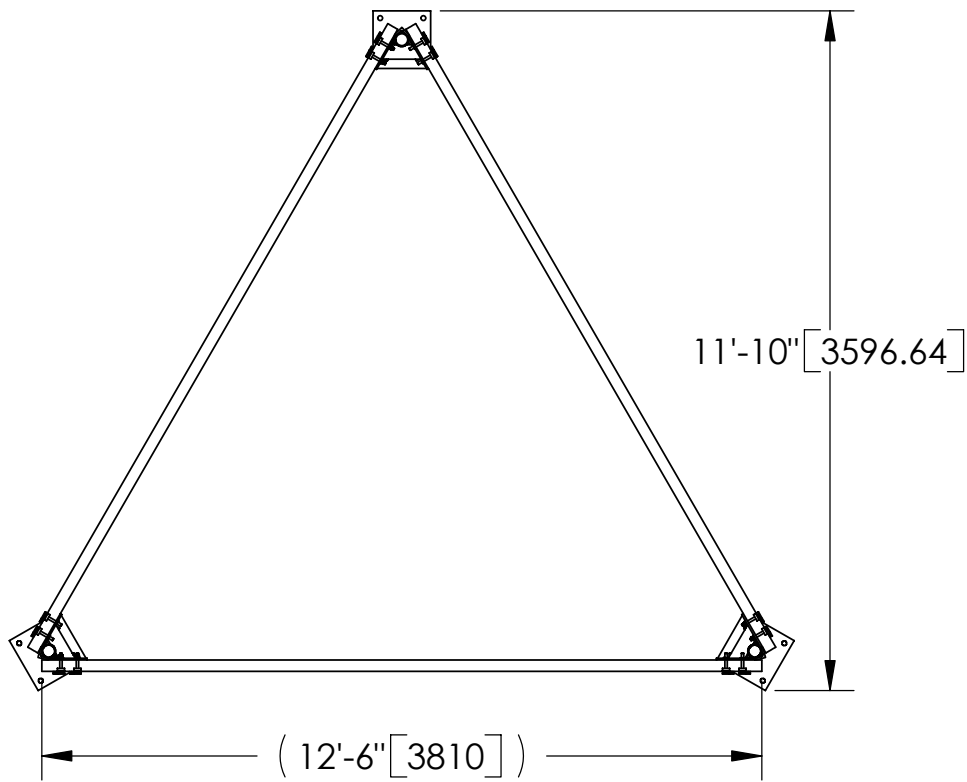


ITEM	PART NO.	DESCRIPTION	QTY.	WEIGHT
1	TP50.01	UNIVERSAL LEG	3	86.77 LBS
2	MT-651-150	Ø2.375" OD x 150" PIPE	6	43.99 LBS
3	TP300H	HARDWARE KIT (ITEMS 6-8)	1	
4	SCP10	SMALL DISH CLAMP HALF	24	1.20 LBS
5	GB-0436A	1/2" X 3-3/4" GALV BOLT KIT (A325)	48	0.26 LBS
6	GWF04A	1/2" GALV FLAT WASHER (A325)	96	0.02 LBS

REVISIONS				
REV.	ZONE	DESCRIPTION	BY	DATE
A		INITIAL RELEASE	TDM	01/30/00
B		CHANGE BOLT, UPDATE P/N	MLL	05/09/00
C		REDRAWN & REVISED	JTS	03/23/01
D		CHANGED ITEM 2 PART NUMBER	JTS	06/06/01
E		UPDATE ITEM 2	ACG	05/03/04
F		ADDED GUSSET TO ITEM 1	ACG	11/08/05
G		ADDED VIEW & REDRAWN IN SOLIDWORKS	ACG	08/04/06



NOTES:
1. ALL METRIC DIMENSIONS ARE IN BRACKETS.

<small>These drawings and specifications are the proprietary property of ANDREW CORPORATION and may be used only for the specific purpose authorized in writing by Andrew Corporation.</small> ALL DIMENSIONS ARE IN INCHES U.O.S. TOLERANCES UNLESS OTHERWISE SPECIFIED: .X = ± .06 ANGLES ±2° .XX = ± .03 FRACTIONS ±1/32 .XXX = ± .010 REMOVE BURRS AND BREAK EDGES .005 DO NOT SCALE THIS PRINT	DRAWN BY: ACG	SHEET: 1 of 1	PART NUMBER: TP-300
	CHECKED BY: TP	SCALE: NTS	DESCRIPTION: MULTI-SECTOR ROOF-TOP MOUNT
	DATE: 07/19/06	MATERIAL: A36, A53	DRAWING TYPE: ASSEMBLY DRAWING
	REVISION: G	FINISH: GALV A123	WEIGHT: 579.43 LBS