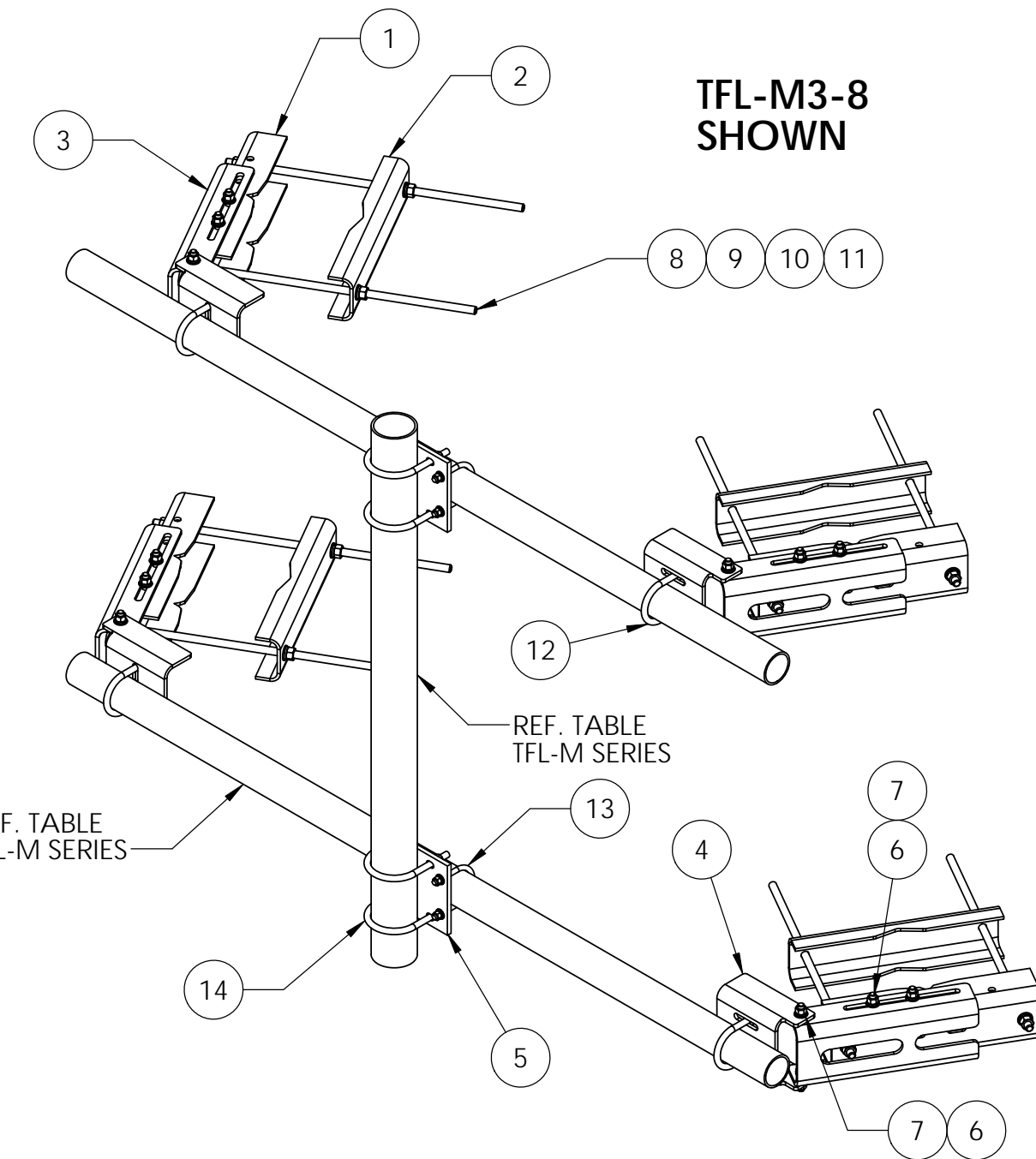


# TFL-M SERIES

REVISIONS				
REV.	ZONE	DESCRIPTION	BY	DATE
A		INITIAL RELEASE	MSM	09/23/10
B		REVISED TABLE ON PAGE TWO	DRR	01/18/11

PART NO.	DESCRIPTION	MT-653-63	TFLMHK2	TFLMHK3	TFLMHK4	MT54796	MT-547-174	MT-547	MT-651-96	MT-537-170	MT-538	MT-654-96	MTC9872.05	WEIGHT
TFL-M2-8	Tower Face Mount, 2.38" OD X 8' Pipe	1	1	-	-	-	-	-	2	-	-	-	-	468.70 LBS
TFL-M2-14	Tower Face Mount, 2.38" OD X 14' Pipe	1	1	-	-	-	-	-	-	2	-	-	-	516.36 LBS
TFL-M2-20	Tower Face Mount, 2.38" OD X 20' Pipe	1	1	-	-	-	-	-	-	-	2	-	-	564.02 LBS
TFL-M3-8	Tower Face Mount, 3.5" OD X 8' Pipe	1	-	1	-	2	-	-	-	-	-	-	-	541.68 LBS
TFL-M3-14	Tower Face Mount, 3.5" OD X 14' Pipe	1	-	1	-	-	2	-	-	-	-	-	-	640.52 LBS
TFL-M3-20	Tower Face Mount, 3.5" OD X 20' Pipe	1	-	1	-	-	-	2	-	-	-	-	-	693.74 LBS
TFL-M4-8	Tower Face Mount, 4.5" OD X 8' Pipe	1	-	-	1	-	-	-	-	-	-	2	-	603.06 LBS
TFL-M4-14	Tower Face Mount, 4.5" OD X 14' Pipe	1	-	-	1	-	-	-	-	-	-	-	2	687.38 LBS



## TFLMHK2 - Hardware Kit for 2.38" OD Pipe


ITEM	PART NO.	DESCRIPTION	QTY.	WEIGHT
1	SMU201601	Large Saddle Mount, 16" Tower Leg	4	22.42 LBS
2	SMU201602	CLAMP PLATE	4	15.48 LBS
3	MTC9872.01	Channel Adapter	4	20.93 LBS
4	MTC9872.02	CHANNEL PIVOT BRACKET	4	12.43 LBS
5	XP2040.01	CROSSOVER PLATE 2-3/8" O.D. TO 4-1/2" O.D.	2	7.13 LBS
6	GB-0520A	5/8" X 2" GALV BOLT KIT (A325)	24	0.05 LBS
7	GWF-05	5/8" GALV FLAT WASHER	24	0.09 LBS
8	MT38430B7	3/4" X 30" GALV Threaded Rod, Grade B7	8	3.76 LBS
9	GWF-06	3/4" GALV FLAT WASHER	16	0.04 LBS
10	GWL-06	3/4" GALV LOCK WASHER	16	0.00 LBS
11	GN-06	3/4" GALV HEX NUT	16	0.01 LBS
12	GUB52440	5/8" X 2-1/2" X 4" GALV U-BOLT	4	0.91 LBS
13	GUB-4240	1/2" X 2-1/2" X 4" GALV U-BOLT	4	0.91 LBS
14	GUB-5456	5/8" X 4-5/8" X 6 1/2" GALV U-BOLT	4	0.91 LBS

## TFLMHK3 - Hardware Kit for 3.5" OD Pipe

ITEM	PART NO.	DESCRIPTION	QTY.	WEIGHT
1	SMU201601	Large Saddle Mount, 16" Tower Leg	4	22.42 LBS
2	SMU201602	CLAMP PLATE	4	15.48 LBS
3	MTC9872.01	Channel Adapter	4	20.93 LBS
4	MTC9872.02	CHANNEL PIVOT BRACKET	4	12.43 LBS
5	XP3040.01	CROSSOVER PLATE $\phi$ 3.5" O.D. TO $\phi$ 4.5" O.D.	2	11.01 LBS
6	GB-0520A	5/8" X 2" GALV BOLT KIT (A325)	24	0.05 LBS
7	GWF-05	5/8" GALV FLAT WASHER	24	0.09 LBS
8	MT38430B7	3/4" X 30" GALV Threaded Rod, Grade B7	8	3.76 LBS
9	GWF-06	3/4" GALV FLAT WASHER	16	0.04 LBS
10	GWL-06	3/4" GALV LOCK WASHER	16	0.00 LBS
11	GN-06	3/4" GALV HEX NUT	16	0.01 LBS
12	GUB-53560	5/8" X 3-5/8" X 6" GALV U-BOLT	4	0.91 LBS
13	GUB-4355	1/2" X 3-5/8" X 5" GALV U-BOLT KIT	4	0.71 LBS
14	GUB-5456	5/8" X 4-5/8" X 6-1/2" GALV U-BOLT	4	1.52 LBS

### NOTES:

1. ALL METRIC DIMENSIONS ARE IN BRACKETS.
2. UP TO 5% ADDITIONAL HARDWARE INCLUDED.
3. ANTENNAS MUST BE POSITIONED EQUALLY SPACED VERTICALLY BETWEEN SPAN OF FACE MOUNTS.
4. SEE SHEET 4 FOR TFLMHK4 -  $\phi$ 4.50" O.D. PIPE KIT.
5. ADDITIONAL TFL-M SERIES TABLE SHEET 2.

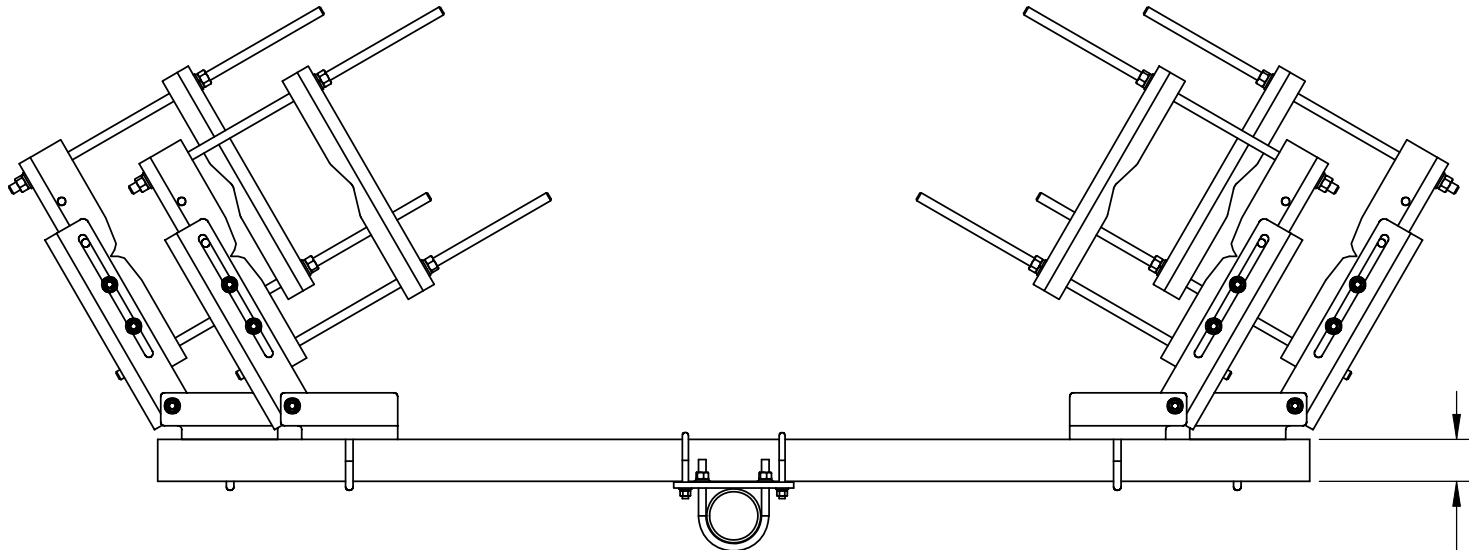
<small>These drawings and specifications are the proprietary property of ANDREW CORPORATION and may be used only for the specific purpose authorized in writing by Andrew Corporation.</small> ALL DIMENSIONS ARE IN INCHES U.O.S. TOLERANCES UNLESS OTHERWISE SPECIFIED: .X = $\pm$ .12 ANGLES $\pm$ 2' .XX = $\pm$ .06 FRACTIONS $\pm$ 1/32 .XXX = $\pm$ .03 REMOVE BURRS AND BREAK EDGES .005 DO NOT SCALE THIS PRINT	DRAWN BY: MSM CHECKED BY: TP DATE: 04/28/10 REVISION: B	SHEET: 1 of 6 SCALE: NTS MATERIAL: A36, A500 FINISH: GALV A123 WEIGHT: SEE CHART	PART NUMBER: TFL-M SERIES DESCRIPTION: FACE MOUNT SERIES DRAWING DRAWING TYPE: ASSEMBLY DRAWING  WESTCHESTER, IL. 60154 U.S.A.
---	--	--	--

# TFL-M SERIES

ITEM	DESCRIPTION	MT-653-63	TFLMHK2	TFLMHK3	TFLMHK4	MT54796	MT-547-174	MT-547	MT-651-96	MT-537-170	MT-538	MT-654-96	MTC9872.05	TFMSS2HK	TFMSS3HK	TFMSS4HK	MT-650-63	TF-ST	WEIGHT
TFL-M2S-8	Tower Face Mount, 2.38" OD X 8' Pipe,W/ (1ea) 2.38"x 63" Strut Support	1	1	-	-	-	-	-	2	-	-	-	-	1	-	-	1	-	510.03 LBS
TFL-M2S-14	Tower Face Mount, 2.38" OD X 14' Pipe,W/ (1ea) 2.38"x 63" Strut Support	1	1	-	-	-	-	-	-	2	-	-	-	1	-	-	1	-	557.69 LBS
TFL-M2S-20	Tower Face Mount, 2.38" OD X 20' Pipe,W/ (1ea) 2.38"x 63" Strut Support	1	1	-	-	-	-	-	-	-	2	-	-	1	-	-	1	-	605.35 LBS
TFL-M3S-8	Tower Face Mount, 3.5" OD X 8' Pipe,W/ (1ea) 2.38"x 63" Strut Support	1	-	1	-	2	-	-	-	-	-	-	-	-	1	-	1	-	585.50 LBS
TFL-M3S-14	Tower Face Mount, 3.5" OD X 14' Pipe,W/ (1ea) 2.38"x 63" Strut Support	1	-	1	-	-	2	-	-	-	-	-	-	-	1	-	1	-	684.34 LBS
TFL-M3S-20	Tower Face Mount, 3.5" OD X 20' Pipe,W/ (1ea) 2.38"x 63" Strut Support	1	-	1	-	-	-	2	-	-	-	-	-	-	1	-	1	-	737.56 LBS
TFL-M4S-8	Tower Face Mount, 4.5" OD X 8' Pipe,W/ (1ea) 2.38"x 63" Strut Support	1	-	-	1	-	-	-	-	-	-	2	-	-	-	1	1	-	650.32 LBS
TFL-M4S-14	Tower Face Mount, 4.5" OD X 14' Pipe,W/ (1ea) 2.38"x 63" Strut Support	1	-	-	1	-	-	-	-	-	-	-	2	-	-	1	1	-	734.64 LBS
TFL-M2S2-8	Tower Face Mount, 2.38" OD X 8' Pipe,W/ (2ea) 2.38"x 63" Strut Support	1	1	-	-	-	-	-	2	-	-	-	-	2	-	-	2	-	551.36 LBS
TFL-M2S2-14	Tower Face Mount, 2.38" OD X 14' Pipe,W/ (2ea) 2.38"x 63" Strut Support	1	1	-	-	-	-	-	-	2	-	-	-	2	-	-	2	-	599.02 LBS
TFL-M2S2-20	Tower Face Mount, 2.38" OD X 20' Pipe,W/ (2ea) 2.38"x 63" Strut Support	1	1	-	-	-	-	-	-	-	2	-	-	2	-	-	2	-	646.68 LBS
TFL-M3S2-8	Tower Face Mount, 3.5" OD X 8' Pipe,W/ (2ea) 2.38"x 63" Strut Support	1	-	1	-	2	-	-	-	-	-	-	-	-	2	-	2	-	629.32 LBS
TFL-M3S2-14	Tower Face Mount, 3.5" OD X 14' Pipe,W/ (2ea) 2.38"x 63" Strut Support	1	-	1	-	-	2	-	-	-	-	-	-	-	2	-	2	-	728.16 LBS
TFL-M3S2-20	Tower Face Mount, 3.5" OD X 20' Pipe,W/ (2ea) 2.38"x 63" Strut Support	1	-	1	-	-	-	2	-	-	-	-	-	-	2	-	2	-	781.38 LBS
TFL-M4S2-8	Tower Face Mount, 4.5" OD X 8' Pipe,W/ (2ea) 2.38"x 63" Strut Support	1	-	-	1	-	-	-	-	-	-	2	-	-	-	2	2	-	697.58 LBS
TFL-M4S2-14	Tower Face Mount, 4.5" OD X 14' Pipe,W/ (2ea) 2.38"x 63" Strut Support	1	-	-	1	-	-	-	-	-	-	-	2	-	-	2	2	-	781.90 LBS
TFL-ML2-8	Tower Face Mount, 2.38" OD X 8' Pipe,w/14" Stand-off	1	1	-	-	-	-	-	2	-	-	-	-	-	-	-	-	1	532.68 LBS
TFL-ML2-14	Tower Face Mount, 2.38" OD X 14' Pipe,w/14" Stand-off	1	1	-	-	-	-	-	-	2	-	-	-	-	-	-	-	1	580.52 LBS
TFL-ML2-20	Tower Face Mount, 2.38" OD X 20' Pipe,w/14" Stand-off	1	1	-	-	-	-	-	-	-	2	-	-	-	-	-	-	1	628.18 LBS
TFL-ML3-8	Tower Face Mount, 3.5" OD X 8' Pipe,w/14" Stand-off	1	-	1	-	2	-	-	-	-	-	-	-	-	-	-	-	1	605.84 LBS
TFL-ML3-14	Tower Face Mount, 3.5" OD X 14' Pipe,w/14" Stand-off	1	-	1	-	-	2	-	-	-	-	-	-	-	-	-	-	1	704.68 LBS
TFL-ML3-20	Tower Face Mount, 3.5" OD X 20' Pipe,w/14" Stand-off	1	-	1	-	-	-	2	-	-	-	-	-	-	-	-	-	1	757.90 LBS
TFL-ML4-8	Tower Face Mount, 4.5" OD X 8' Pipe,w/14" Stand-off	1	-	-	1	-	-	-	-	-	-	2	-	-	-	-	-	1	667.22 LBS
TFL-ML4-14	Tower Face Mount, 4.5" OD X 14' Pipe,w/14" Stand-off	1	-	-	1	-	-	-	-	-	-	-	2	-	-	-	-	1	751.54 LBS
TFL-ML2S-8	Tower Face Mount, 2.38" OD X 8' Pipe,w/14" Stand-off, w/ (1ea) 2.38"x 63" Strut Support	1	1	-	-	-	-	-	2	-	-	-	-	1	-	-	1	1	574.01 LBS
TFL-ML2S-14	Tower Face Mount, 2.38" OD X 14' Pipe,w/14" Stand-off, w/ (1ea) 2.38"x 63" Strut Support	1	1	-	-	-	-	-	-	2	-	-	-	1	-	-	1	1	621.85 LBS
TFL-ML2S-20	Tower Face Mount, 2.38" OD X 20' Pipe,w/14" Stand-off, w/ (1ea) 2.38"x 63" Strut Support	1	1	-	-	-	-	-	-	-	2	-	-	1	-	-	1	1	669.51 LBS
TFL-ML3S-8	Tower Face Mount, 3.5" OD X 8' Pipe,w/14" Stand-off, w/ (1ea) 2.38"x 63" Strut Support	1	-	1	-	2	-	-	-	-	-	-	-	-	1	-	1	1	649.66 LBS
TFL-ML3S-14	Tower Face Mount, 3.5" OD X 14' Pipe,w/14" Stand-off, w/ (1ea) 2.38"x 63" Strut Support	1	-	1	-	-	2	-	-	-	-	-	-	-	1	-	1	1	748.50 LBS
TFL-ML3S-20	Tower Face Mount, 3.5" OD X 20' Pipe,w/14" Stand-off, w/ (1ea) 2.38"x 63" Strut Support	1	-	1	-	-	-	2	-	-	-	-	-	-	1	-	1	1	801.72 LBS
TFL-ML4S-8	Tower Face Mount, 4.5" OD X 8' Pipe,w/14" Stand-off, w/ (1ea) 2.38"x 63" Strut Support	1	-	-	1	-	-	-	-	-	-	2	-	-	-	1	1	1	714.48 LBS
TFL-ML4S-14	Tower Face Mount, 4.5" OD X 14' Pipe,w/14" Stand-off, w/ (1ea) 2.38"x 63" Strut Support	1	-	-	1	-	-	-	-	-	-	-	2	-	-	1	1	1	798.80 LBS
TFL-ML2S2-8	Tower Face Mount, 2.38" OD X 8' Pipe,w/14" Stand-off, w/ (2ea) 2.38"x 63" Strut Support	1	1	-	-	-	-	-	2	-	-	-	-	2	-	-	2	1	615.34 LBS
TFL-ML2S2-14	Tower Face Mount, 2.38" OD X 14' Pipe,w/14" Stand-off, w/ (2ea) 2.38"x 63" Strut Support	1	1	-	-	-	-	-	-	2	-	-	-	2	-	-	2	1	663.48 LBS
TFL-ML2S2-20	Tower Face Mount, 2.38" OD X 20' Pipe,w/14" Stand-off, w/ (2ea) 2.38"x 63" Strut Support	1	1	-	-	-	-	-	-	-	2	-	-	2	-	-	2	1	710.84 LBS
TFL-ML3S2-8	Tower Face Mount, 3.5" OD X 8' Pipe,w/14" Stand-off, w/ (2ea) 2.38"x 63" Strut Support	1	-	1	-	2	-	-	-	-	-	-	-	-	2	-	2	1	693.48 LBS
TFL-ML3S2-14	Tower Face Mount, 3.5" OD X 14' Pipe,w/14" Stand-off, w/ (2ea) 2.38"x 63" Strut Support	1	-	1	-	-	2	-	-	-	-	-	-	-	2	-	2	1	792.32 LBS
TFL-ML3S2-20	Tower Face Mount, 3.5" OD X 20' Pipe,w/14" Stand-off, w/ (2ea) 2.38"x 63" Strut Support	1	-	1	-	-	-	2	-	-	-	-	-	-	2	-	2	1	845.54 LBS
TFL-ML4S2-8	Tower Face Mount, 4.5" OD X 8' Pipe,w/14" Stand-off, w/ (2ea) 2.38"x 63" Strut Support	1	-	-	1	-	-	-	-	-	-	2	-	-	-	2	2	1	761.54 LBS
TFL-ML4S2-14	Tower Face Mount, 4.5" OD X 14' Pipe,w/14" Stand-off, w/ (2ea) 2.38"x 63" Strut Support	1	-	-	1	-	-	-	-	-	-	-	2	-	-	2	2	1	846.06 LBS

These drawings and specifications are the proprietary property of ANDREW CORPORATION and may be used only for the specific purpose authorized in writing by Andrew Corporation.  ALL DIMENSIONS ARE IN INCHES U.O.S. TOLERANCES UNLESS OTHERWISE SPECIFIED: .X = ± .12      ANGLES      ±2° .XX = ± .06      FRACTIONS      ±1/32 .XXX = ± .03  REMOVE BURRS AND BREAK EDGES .005	DRAWN BY: MSM  CHECKED BY: TP  DATE: 04/28/10  REVISION: <b>B</b>	SHEET: 2 of 6  SCALE: NTS  MATERIAL: A36, A500  FINISH: GALV A123  WEIGHT: SEE CHART	PART NUMBER: <b>TFL-M SERIES</b>  DESCRIPTION: TOWER FACE MOUNT SERIES DRAWING  DRAWING TYPE: ASSEMBLY DRAWING  <div style="text-align: right;">                  WESTCHESTER, IL. 60154 U.S.A.             </div>
DO NOT SCALE THIS PRINT			

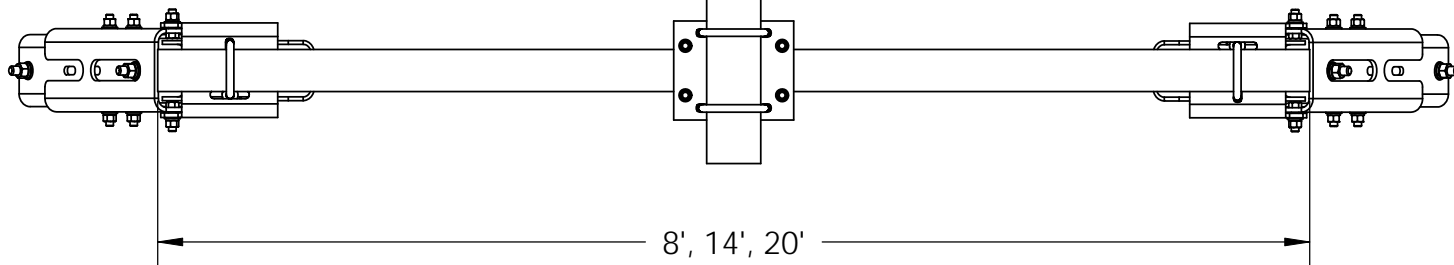
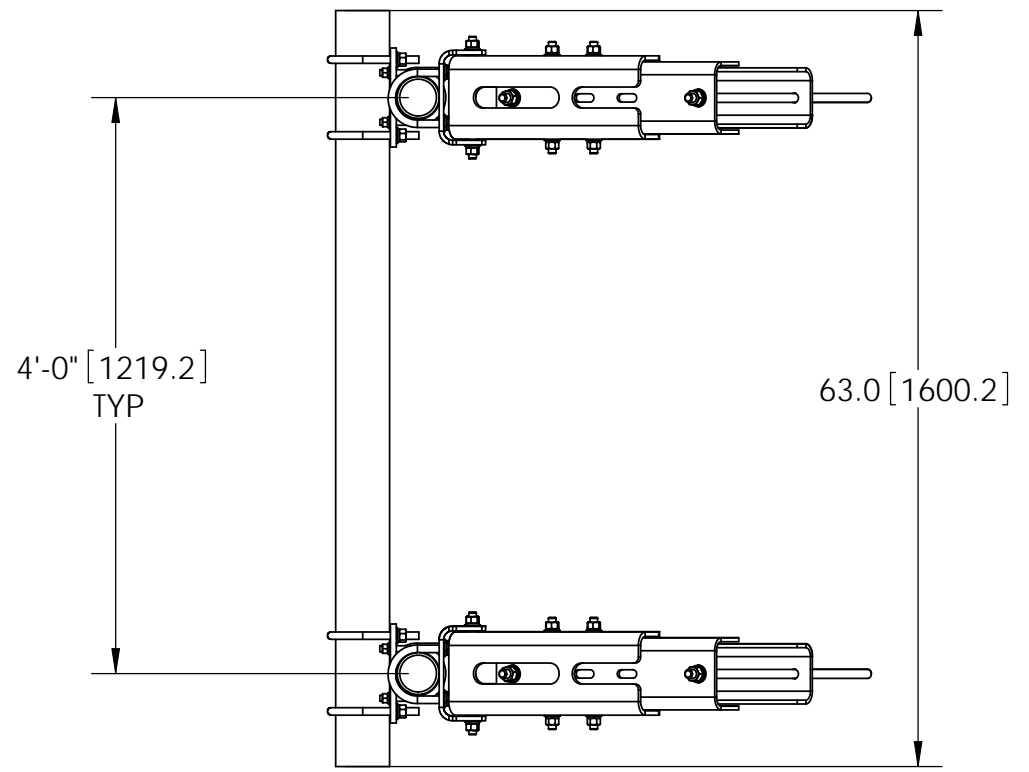
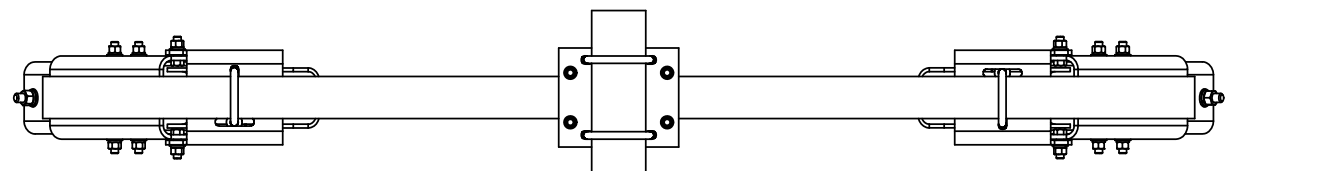
8 7 6 5 4 3 2 1



REFERENCE: 9° TAPER @ 48" SEPARATION

Ø2-3/8", Ø3-1/2",  
or Ø4-1/2"

TFL-M3-8  
SHOWN



8', 14', 20'

NOTES:  
1. ALL METRIC DIMENSIONS ARE IN BRACKETS.

These drawings and specifications are the proprietary property of ANDREW CORPORATION and may be used only for the specific purpose authorized in writing by Andrew Corporation.

ALL DIMENSIONS ARE IN INCHES U.O.S.  
TOLERANCES UNLESS OTHERWISE SPECIFIED:  
.X = ± .12      ANGLES      ±2°  
.XX = ± .06      FRACTIONS      ±1/32  
.XXX = ± .03

REMOVE BURRS AND BREAK EDGES .005

DO NOT SCALE THIS PRINT

DRAWN BY: MSM	SHEET: 3 of 6
CHECKED BY: TP	SCALE: NTS
DATE: 04/28/10	MATERIAL: A36, A500
REVISION: <b>B</b>	FINISH: GALV A123
	WEIGHT: SEE CHART

PART NUMBER: **TFL-M SERIES**

DESCRIPTION:  
TOWER FACE MOUNT SERIES DRAWING

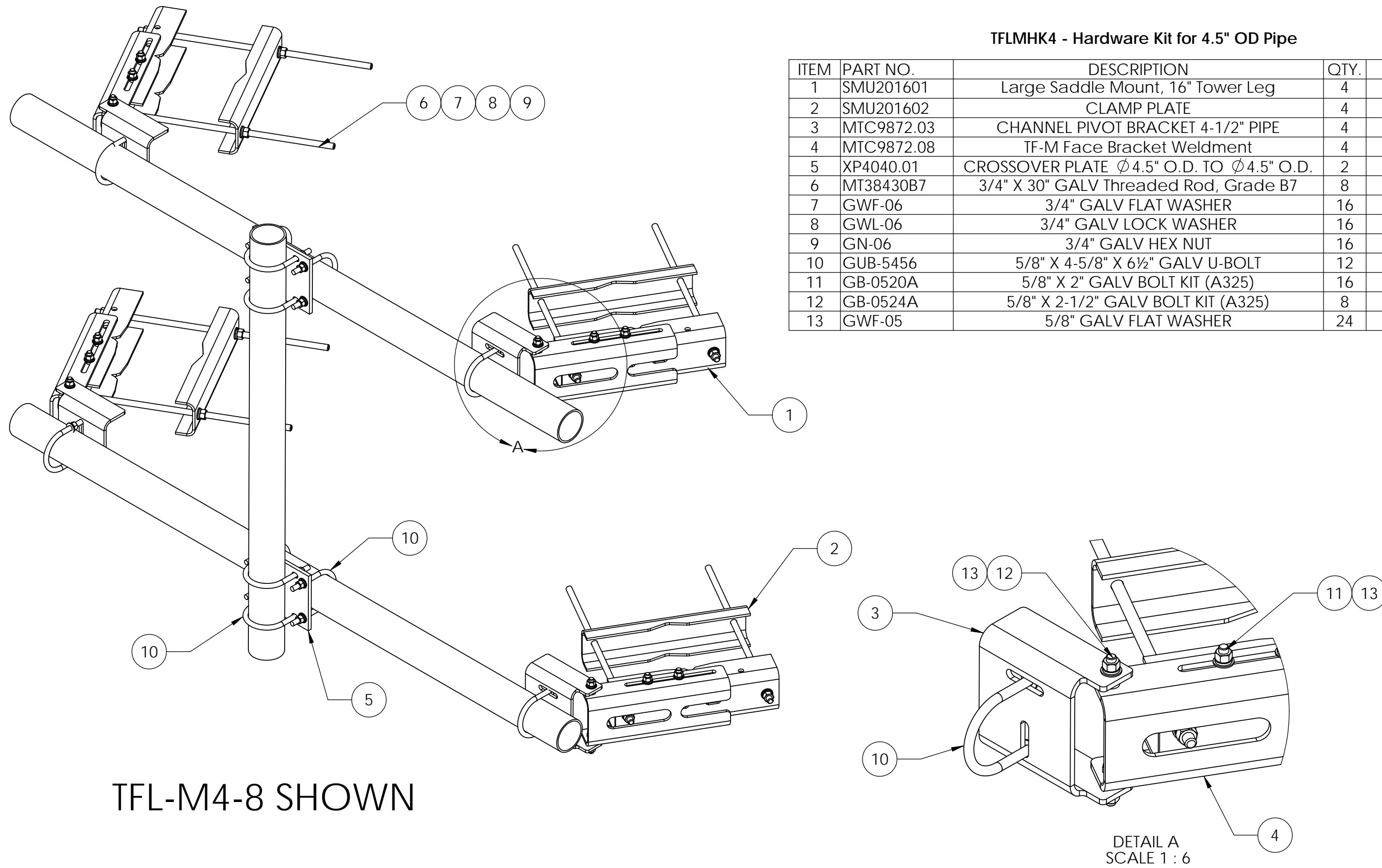
DRAWING TYPE:  
ASSEMBLY DRAWING

WESTCHESTER, IL. 60154  
U.S.A.

8 7 6 5 4 3 2 1

TFLMHK4 - Hardware Kit for 4.5" OD Pipe


ITEM	PART NO.	DESCRIPTION	QTY.	WEIGHT
1	SMU201601	Large Saddle Mount, 16" Tower Leg	4	22.42 LBS
2	SMU201602	CLAMP PLATE	4	15.48 LBS
3	MTC9872.03	CHANNEL PIVOT BRACKET 4-1/2" PIPE	4	13.31 LBS
4	MTC9872.08	TF-M Face Bracket Weldment	4	21.03 LBS
5	XP4040.01	CROSSOVER PLATE $\phi$ 4.5" O.D. TO $\phi$ 4.5" O.D.	2	10.96 LBS
6	MT38430B7	3/4" X 30" GALV Threaded Rod, Grade B7	8	3.76 LBS
7	GWF-06	3/4" GALV FLAT WASHER	16	0.04 LBS
8	GWL-06	3/4" GALV LOCK WASHER	16	0.00 LBS
9	GN-06	3/4" GALV HEX NUT	16	0.01 LBS
10	GUB-5456	5/8" X 4-5/8" X 6 1/2" GALV U-BOLT	12	0.91 LBS
11	GB-0520A	5/8" X 2" GALV BOLT KIT (A325)	16	0.05 LBS
12	GB-0524A	5/8" X 2-1/2" GALV BOLT KIT (A325)	8	0.05 LBS
13	GWF-05	5/8" GALV FLAT WASHER	24	0.09 LBS



TFL-M4-8 SHOWN

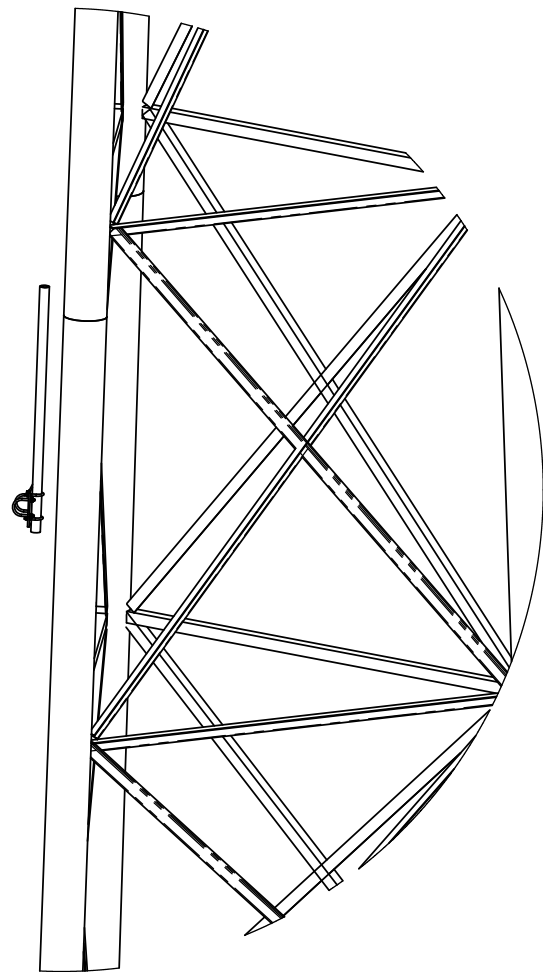
DETAIL A  
SCALE 1 : 6

NOTES:  
1. ALL METRIC DIMENSIONS ARE IN BRACKETS.

<small>These drawings and specifications are the proprietary property of ANDREW CORPORATION and may be used only for the specific purpose authorized in writing by Andrew Corporation.</small> ALL DIMENSIONS ARE IN INCHES U.O.S. TOLERANCES UNLESS OTHERWISE SPECIFIED: .X = ± .12      ANGLES      ±2° .XX = ± .06      FRACTIONS      ±1/32 .XXX = ± .03 REMOVE BURRS AND BREAK EDGES .005 DO NOT SCALE THIS PRINT	DRAWN BY: MSM	SHEET: 4 of 6	PART NUMBER: <b>TFL-M SERIES</b>
	CHECKED BY: TP	SCALE: NTS	DESCRIPTION: TOWER FACE MOUNT SERIES DRAWING
	DATE: 04/28/10	MATERIAL: A36, A500	DRAWING TYPE: ASSEMBLY DRAWING
	REVISION: <b>B</b>	FINISH: GALV A123	 WESTCHESTER, IL. 60154 U.S.A.

### DISH DIAMETER TO TOWER FACE MOUNT CHART

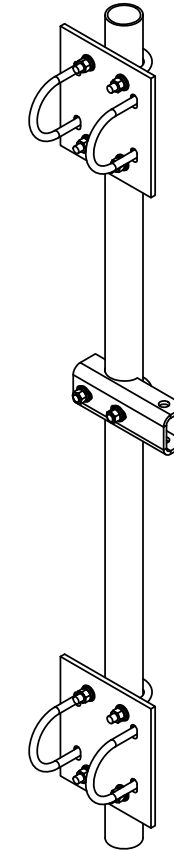
DISH DIAMETER	TOWER FACE MOUNT							
	TFL-M2-8	TFL-M2-14	TFL-M2-20	TFL-M3-8	TFL-M3-14	TFL-M3-20	TFL-M4-8	TFL-M4-14
2' (0.6m)	X	X	X	X	X	X	X	X
4' (1.2m)	X	X	X	X	X	X	X	X
6' (1.8m)	X	-	-	X	X	X	X	X
8' (2.4m)	-	-	-	X	X	X	X	X
10' (3.1m)	-	-	-	X	X	X	X	X
12' (3.7m)	-	-	-	X	X	-	-	X
15' (4.6m)	-	-	-	-	-	-	X	-




DETAIL B  
SCALE 1 : 48

### OPTIONAL TOWER FACE MOUNT STRUT SUPPORTS

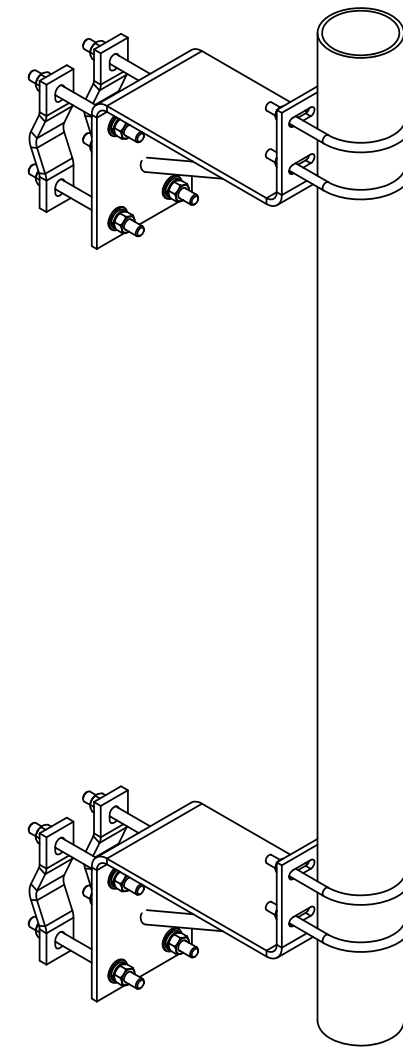
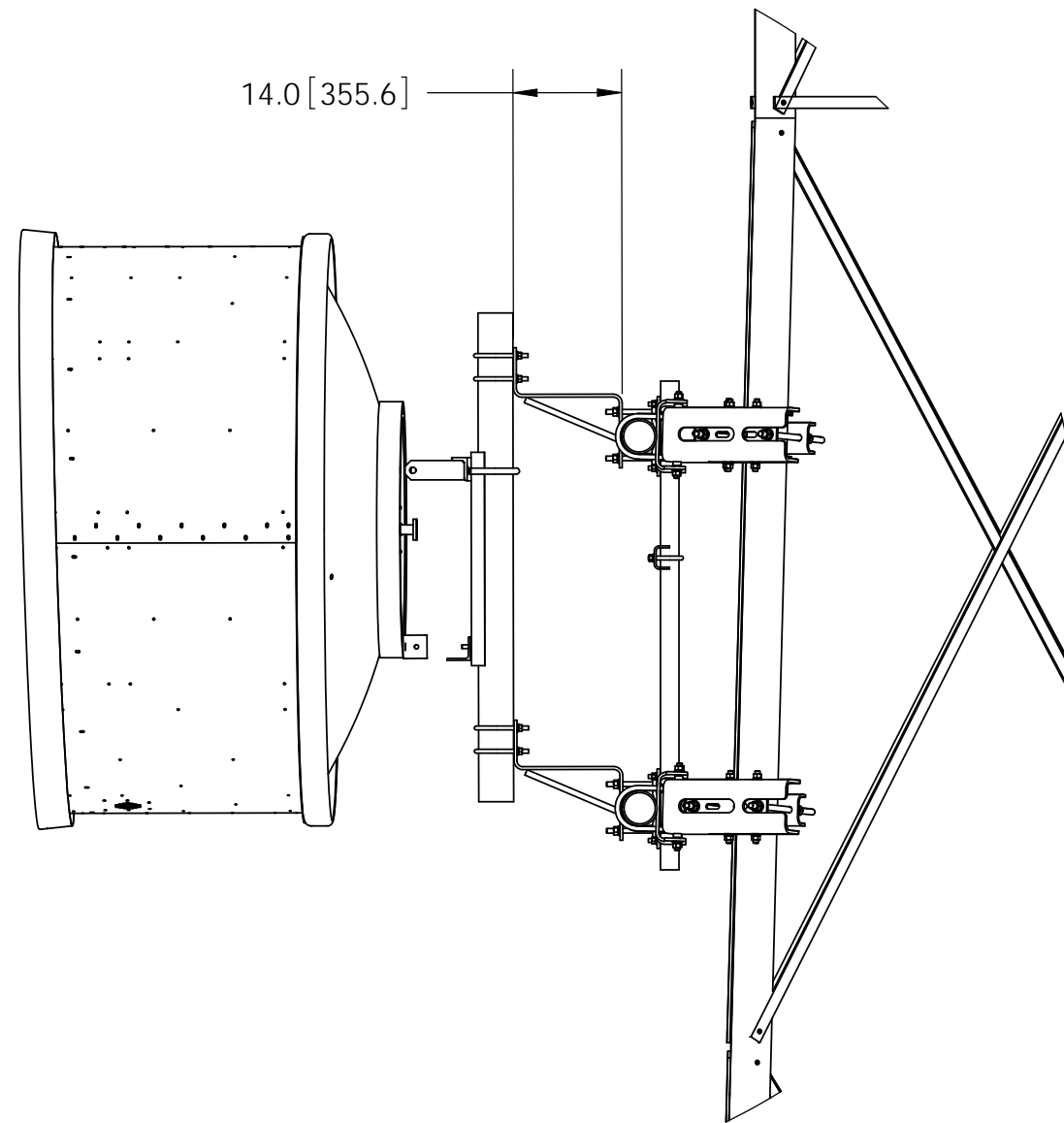
PART NO	DESCRIPTION	TF-M SERIES
TF-MSS-2	Tower Face Mount Strut Support 2-3/8"OD x 2-3/8"OD	TF-M2-xx
TF-MSS-3	Tower Face Mount Strut Support 2-3/8"OD x 3-1/2"OD	TF-M3-xx
TF-MSS-4	Tower Face Mount Strut Support 2-3/8"OD x 4-1/2"OD	TF-M4-xx



NOTE: CONSULT FACTORY/DISTRIBUTOR FOR CORRECT ASSEMBLY.

<small>These drawings and specifications are the proprietary property of ANDREW CORPORATION and may be used only for the specific purpose authorized in writing by Andrew Corporation.</small> ALL DIMENSIONS ARE IN INCHES U.O.S. TOLERANCES UNLESS OTHERWISE SPECIFIED: .X = ± .12      ANGLES      ±2° .XX = ± .06      FRACTIONS      ±1/32 .XXX = ± .03 REMOVE BURRS AND BREAK EDGES .005 DO NOT SCALE THIS PRINT	DRAWN BY: MSM	SHEET: 5 of 6	PART NUMBER: <b>TFL-M SERIES</b>
	CHECKED BY: TP	SCALE: NTS	DESCRIPTION: Tower Face Mount Series Drawing
	DATE: 04/28/10	MATERIAL: A36, A500	DRAWING TYPE: ASSEMBLY DRAWING
	REVISION: <b>B</b>	FINISH: GALV A123 WEIGHT: SEE CHART	 WESTCHESTER, IL. 60154 U.S.A.

# OPTIONAL TF-ST TOWER FACE MOUNT STAND-OFF



DETAIL C  
SCALE 1 : 24

<p style="text-align: center;">These drawings and specifications are the proprietary property of ANDREW CORPORATION and may be used only for the specific purpose authorized in writing by Andrew Corporation.</p> <p>ALL DIMENSIONS ARE IN INCHES U.O.S. TOLERANCES UNLESS OTHERWISE SPECIFIED:</p> <table style="width: 100%; border: none;"> <tr> <td style="width: 50%;">.X = ± .12</td> <td style="width: 20%;">ANGLES</td> <td style="width: 30%;">±2°</td> </tr> <tr> <td>.XX = ± .06</td> <td>FRACTIONS</td> <td>±1/32</td> </tr> <tr> <td>.XXX = ± .03</td> <td></td> <td></td> </tr> </table> <p>REMOVE BURRS AND BREAK EDGES .005</p> <p style="text-align: center;">DO NOT SCALE THIS PRINT</p>	.X = ± .12	ANGLES	±2°	.XX = ± .06	FRACTIONS	±1/32	.XXX = ± .03			DRAWN BY: <b>MSM</b>	SHEET: 6 of 6	PART NUMBER: <b>TFL-M SERIES</b>
	.X = ± .12	ANGLES	±2°									
	.XX = ± .06	FRACTIONS	±1/32									
	.XXX = ± .03											
CHECKED BY: <b>TP</b>	SCALE: NTS	DESCRIPTION: Tower Face Mount Series Drawing										
DATE: 04/28/10	MATERIAL: A36, A500	DRAWING TYPE: ASSEMBLY DRAWING										
REVISION: <b>B</b>	FINISH: GALV A123	<b>ANDREW</b> ® WESTCHESTER, IL. 60154 U.S.A.										
	WEIGHT: SEE CHART											