

1.0 GENERAL NOTES

- 1.1 ALL METRIC DIMENSIONS ARE IN BRACKETS [X.X]
- 1.2 SEE SHEET 4 FOR TFMHK4 - 4.50" O.D. PIPE KIT.
- 1.3 ADDITIONAL TF-M SERIES TABLE SHEET 2.
- 1.4 FOR PATENT INFO: <https://www.cs-pat.com>

2.0 DESIGN NOTES

- 2.1 UP TO 5% ADDITIONAL HARDWARE INCLUDED.
- 2.2 ANTENNAS MUST BE POSITIONED EQUALLY SPACED VERTICALLY BETWEEN SPAN OF FACE MOUNTS.

3.0 MANUFACTURING/SPECIAL REQUIREMENTS

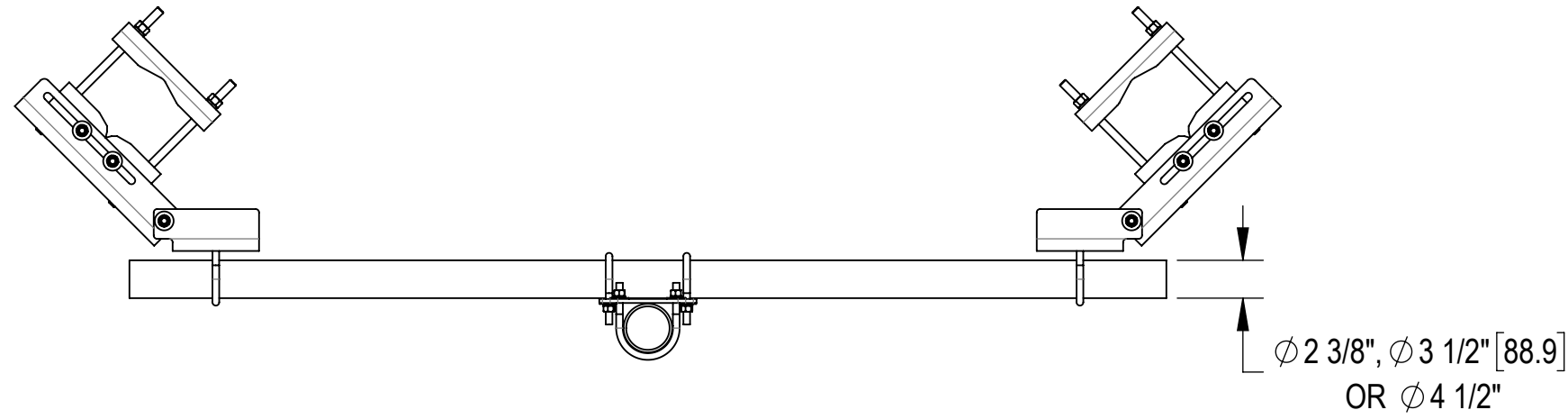
- 3.1 TIGHTEN ALL BOLTS SECURING FLAT PLATES BY THE TURN-OF-NUT METHOD. TIGHTEN ALL U-BOLTS USING TURN-OF-NUT METHOD WITH ATTENTION TO LEAVE EQUAL DISTANCE AND EQUAL FORCE ON EACH LEG OF THE U-BOLT.

4.0 TEST

5.0 PACKAGING

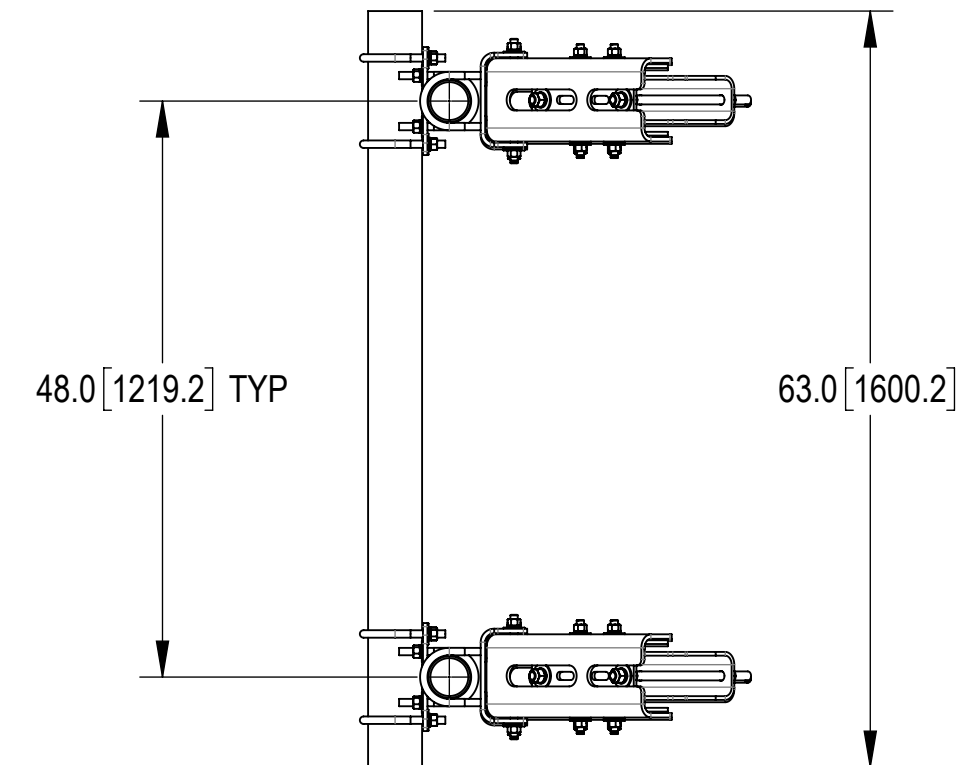
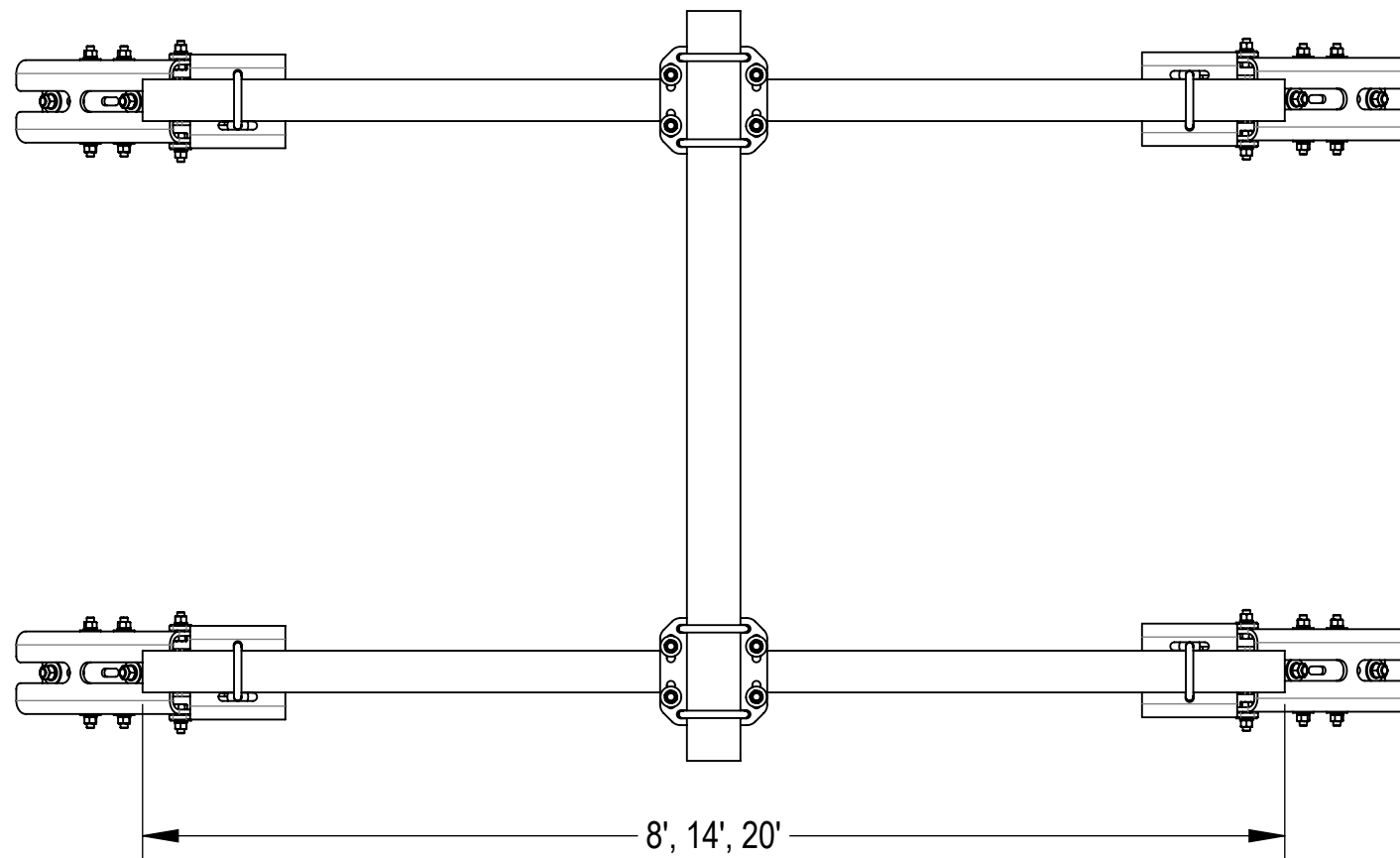
- 5.1 PACKAGING SHALL MEET COMMSCOPE REQUIREMENTS PER DOCUMENT IS-PL-3005
- 5.2 PRINTED DOCUMENT TO BE PLACED INSIDE POLYBAG AND THEN IN SHIPPING CONTAINER
- 5.3 EXTRA HARDWARE MAY BE SUPPLIED, BAGGED AND SHIPPED

REVISIONS			
REV.	DESCRIPTION	DATE	APPROVED
F	UPDATED TABLE ON PAGE TWO	DRR 18JAN11	
G	UPDATED DRAWING BOM TO MATCH SAP	LS1146 24FEB23	YW1045 40166242CMO
H	SHEET 2: UPDATED TABLE	YX1027 21JUN24	BA1025 40198118CMO



REFERENCE: 9 TAPER @ 48" SEPARATION

TF-M3-8
SHOWN



COMMSCOPE, INC. OF NORTH CAROLINA

TOLERANCES		SAP MATERIAL MASTER	
1 PLACE .X[X] ± .12[3.0]	3 PLACE .XXX[X] ± .030[0.76]	SEE TABLE	
2 PLACE .XX[X] ± .06[1.5]	ANGLES ± 2°		
FINISH		MATERIAL	
UNLESS OTHERWISE SPECIFIED DIMENSIONS ARE IN INCHES INTERPRET PER ANSI Y 14.5M-1994		FACE MOUNT SERIES	
CE	MSM	23JAN09	SCALE 1:20
RW	YMENG	06/26/2024	
AD	YX1027	06/26/2024	
RE	YMENG	06/26/2024	
ECN	40198118CMO		
TITLE		DOCUMENT NO.	
TF-M SERIES		TF-M SERIES	
SIZE	Auth Group	INSL	MODEL
C			VERSION
			STATUS
			REVISION
			VERSION
			STATUS
			REVISION
			DRAWING
			VERSION
			STATUS
			REVISION
			SHEET
			1 OF 4

DENSITY		lbs/in ³
MASS	531.67	lbs
VOLUME	1508.81	in ³
SURFACE AREA		in ²
HEIGHT		
LENGTH		
WIDTH		

ITEM	DESCRIPTION	MT-653-63	TFMHK2	TFMHK3	TFMHK4	MT54796	MT-547-174	MT-547	MT-651-96	MT-537-170	MT-538	MT-654-96	MTC987205	TFMSS2HK	TFMSS3HK	TFMSS4HK	MT-650-63	TF-ST	WEIGHT
TF-M2-8	TOWER FACE MOUNT, 2.38" OD X 8' PIPE	1	1	-	-	-	-	-	2	-	-	-	-	-	-	-	-	-	477.86 LBS
TF-M2S-8	TOWER FACE MOUNT, 2.38" OD X 8' PIPE,W/ (1EA) 2.38"X 63" STRUT SUPPORT	1	1	-	-	-	-	-	2	-	-	-	-	1	-	-	1	-	512.30 LBS
TF-M2-14	TOWER FACE MOUNT, 2.38" OD X 14' PIPE	1	1	-	-	-	-	-	-	2	-	-	-	-	-	-	-	-	512.98 LBS
TF-M2S-14	TOWER FACE MOUNT, 2.38" OD X 14' PIPE,W/ (1EA) 2.38"X 63" STRUT SUPPORT	1	1	-	-	-	-	-	-	2	-	-	-	1	-	-	1	-	547.42 LBS
TF-M2-20	TOWER FACE MOUNT, 2.38" OD X 20' PIPE	1	1	-	-	-	-	-	-	-	2	-	-	-	-	-	-	-	552.35 LBS
TF-M2S-20	TOWER FACE MOUNT, 2.38" OD X 20' PIPE,W/ (1EA) 2.38"X 63" STRUT SUPPORT	1	1	-	-	-	-	-	-	-	2	-	-	1	-	-	1	-	586.79 LBS
TF-M3-8	TOWER FACE MOUNT, 3.5" OD X 8' PIPE	1	-	1	-	2	-	-	-	-	-	-	-	-	-	-	-	-	531.67 LBS
TF-M3S-8	TOWER FACE MOUNT, 3.5" OD X 8' PIPE,W/ (1EA) 2.38"X 63" STRUT SUPPORT	1	-	1	-	2	-	-	-	-	-	-	-	-	1	-	1	-	566.69 LBS
F-M3-14	TOWER FACE MOUNT, 3.5" OD X 14' PIPE	1	-	1	-	-	2	-	-	-	-	-	-	-	-	-	-	-	605.63 LBS
TF-M3S-14	TOWER FACE MOUNT, 3.5" OD X 14' PIPE,W/ (1EA) 2.38"X 63" STRUT SUPPORT	1	-	1	-	-	2	-	-	-	-	-	-	-	1	-	1	-	640.65 LBS
TF-M3-20	TOWER FACE MOUNT, 3.5" OD X 20' PIPE	1	-	1	-	-	-	2	-	-	-	-	-	-	-	-	-	-	689.43 LBS
TF-M3S-20	TOWER FACE MOUNT, 3.5" OD X 20' PIPE,W/ (1EA) 2.38"X 63" STRUT SUPPORT	1	-	1	-	-	-	2	-	-	-	-	-	-	1	-	1	-	724.45 LBS
TF-M4-8	TOWER FACE MOUNT, 4.5" OD X 8' PIPE	-	-	-	1	-	-	-	-	-	-	3	-	-	-	-	-	-	615.25 LBS
TF-M4S-8	TOWER FACE MOUNT, 4.5" OD X 8' PIPE,W/ (1EA) 2.38"X 63" STRUT SUPPORT	-	-	-	1	-	-	-	-	-	-	3	-	-	-	1	1	-	659.93 LBS
F-M4-14	TOWER FACE MOUNT, 4.5" OD X 14' PIPE	-	-	-	1	-	-	-	-	-	-	1	2	-	-	-	-	-	751.16 LBS
TF-M4S-14	TOWER FACE MOUNT, 4.5" OD X 14' PIPE,W/ (1EA) 2.38"X 63" STRUT SUPPORT	-	-	-	1	-	-	-	-	-	-	1	2	-	-	1	1	-	795.84 LBS
TF-M2S2-8	TOWER FACE MOUNT, 2.38" OD X 8' PIPE,W/ (2EA) 2.38"X 63" STRUT SUPPORT	1	1	-	-	-	-	-	2	-	-	-	-	2	-	-	2	-	546.74 LBS
TF-M2S2-14	TOWER FACE MOUNT, 2.38" OD X 14' PIPE,W/ (2EA) 2.38"X 63" STRUT SUPPORT	1	1	-	-	-	-	-	-	2	-	-	-	2	-	-	2	-	581.86 LBS
TF-M2S2-20	TOWER FACE MOUNT, 2.38" OD X 20' PIPE,W/ (2EA) 2.38"X 63" STRUT SUPPORT	1	1	-	-	-	-	-	-	-	2	-	-	2	-	-	2	-	621.23 LBS
TF-M3S2-8	TOWER FACE MOUNT, 3.5" OD X 8' PIPE,W/ (2EA) 2.38"X 63" STRUT SUPPORT	1	-	1	-	2	-	-	-	-	-	-	-	-	2	-	2	-	601.71 LBS
TF-M3S2-14	TOWER FACE MOUNT, 3.5" OD X 14' PIPE,W/ (2EA) 2.38"X 63" STRUT SUPPORT	1	-	1	-	-	2	-	-	-	-	-	-	-	2	-	2	-	675.67 LBS
TF-M3S2-20	TOWER FACE MOUNT, 3.5" OD X 20' PIPE,W/ (2EA) 2.38"X 63" STRUT SUPPORT	1	-	1	-	-	-	2	-	-	-	-	-	-	2	-	2	-	759.47 LBS
TF-M4S2-8	TOWER FACE MOUNT, 4.5" OD X 8' PIPE,W/ (2EA) 2.38"X 63" STRUT SUPPORT	-	-	-	1	-	-	-	-	-	-	3	-	-	-	2	2	-	704.61 LBS
TF-M4S2-14	TOWER FACE MOUNT, 4.5" OD X 14' PIPE,W/ (2EA) 2.38"X 63" STRUT SUPPORT	-	-	-	1	-	-	-	-	-	-	1	2	-	-	2	2	-	840.52 LBS
TF-ML2-8	TOWER FACE MOUNT, 2.38" OD X 8' PIPE,W/14" STAND-OFF	1	1	-	-	-	-	-	2	-	-	-	-	-	-	-	-	1	517.23 LBS
TF-ML2-14	TOWER FACE MOUNT, 2.38" OD X 14' PIPE,W/14" STAND-OFF	1	1	-	-	-	-	-	-	2	-	-	-	-	-	-	-	1	552.35 LBS
TF-ML2-20	TOWER FACE MOUNT, 2.38" OD X 20' PIPE,W/14" STAND-OFF	1	1	-	-	-	-	-	-	-	2	-	-	-	-	-	-	1	591.73 LBS
TF-ML3-8	TOWER FACE MOUNT, 3.5" OD X 8' PIPE,W/14" STAND-OFF	1	-	1	-	2	-	-	-	-	-	-	-	-	-	-	-	1	569.42 LBS
TF-ML3-14	TOWER FACE MOUNT, 3.5" OD X 14' PIPE,W/14" STAND-OFF	1	-	1	-	-	2	-	-	-	-	-	-	-	-	-	-	1	643.39 LBS
TF-ML3-20	TOWER FACE MOUNT, 3.5" OD X 20' PIPE,W/14" STAND-OFF	1	-	1	-	-	-	2	-	-	-	-	-	-	-	-	-	1	727.19 LBS
TF-ML4-8	TOWER FACE MOUNT, 4.5" OD X 8' PIPE,W/14" STAND-OFF	-	-	-	1	-	-	-	-	-	-	3	-	-	-	-	-	1	652.46 LBS
TF-ML4-14	TOWER FACE MOUNT, 4.5" OD X 14' PIPE,W/14" STAND-OFF	-	-	-	1	-	-	-	-	-	-	1	2	-	-	-	-	1	788.38 LBS
TF-ML2S-8	TOWER FACE MOUNT, 2.38" OD X 8' PIPE,W/14" STAND-OFF, W/ (1EA) 2.38"X 63" STRUT SUPPORT	1	1	-	-	-	-	-	2	-	-	-	-	1	-	-	1	1	551.67 LBS
TF-ML2S-14	TOWER FACE MOUNT, 2.38" OD X 14' PIPE,W/14" STAND-OFF, W/ (1EA) 2.38"X 63" STRUT SUPPORT	1	1	-	-	-	-	-	-	2	-	-	-	1	-	-	1	1	586.79 LBS
TF-ML2S-20	TOWER FACE MOUNT, 2.38" OD X 20' PIPE,W/14" STAND-OFF, W/ (1EA) 2.38"X 63" STRUT SUPPORT	1	1	-	-	-	-	-	-	-	2	-	-	1	-	-	1	1	626.17 LBS
TF-ML3S-8	TOWER FACE MOUNT, 3.5" OD X 8' PIPE,W/14" STAND-OFF, W/ (1EA) 2.38"X 63" STRUT SUPPORT	1	-	1	-	2	-	-	-	-	-	-	-	-	1	-	1	1	604.44 LBS
TF-ML3S-14	TOWER FACE MOUNT, 3.5" OD X 14' PIPE,W/14" STAND-OFF, W/ (1EA) 2.38"X 63" STRUT SUPPORT	1	-	1	-	-	2	-	-	-	-	-	-	-	1	-	1	1	678.41 LBS
TF-ML3S-20	TOWER FACE MOUNT, 3.5" OD X 20' PIPE,W/14" STAND-OFF, W/ (1EA) 2.38"X 63" STRUT SUPPORT	1	-	1	-	-	-	2	-	-	-	-	-	-	1	-	1	1	762.21 LBS
TF-ML4S-8	TOWER FACE MOUNT, 4.5" OD X 8' PIPE,W/14" STAND-OFF, W/ (1EA) 2.38"X 63" STRUT SUPPORT	-	-	-	1	-	-	-	-	-	-	3	-	-	-	1	1	1	697.14 LBS
TF-ML4S-14	TOWER FACE MOUNT, 4.5" OD X 14' PIPE,W/14" STAND-OFF, W/ (1EA) 2.38"X 63" STRUT SUPPORT	-	-	-	1	-	-	-	-	-	-	1	2	-	-	1	1	1	833.06 LBS
TF-ML2S2-8	TOWER FACE MOUNT, 2.38" OD X 8' PIPE,W/14" STAND-OFF, W/ (2EA) 2.38"X 63" STRUT SUPPORT	1	1	-	-	-	-	-	2	-	-	-	-	2	-	-	2	1	586.11 LBS
TF-ML2S2-14	TOWER FACE MOUNT, 2.38" OD X 14' PIPE,W/14" STAND-OFF, W/ (2EA) 2.38"X 63" STRUT SUPPORT	1	1	-	-	-	-	-	-	2	-	-	-	2	-	-	2	1	621.23 LBS
TF-ML2S2-20	TOWER FACE MOUNT, 2.38" OD X 20' PIPE,W/14" STAND-OFF, W/ (2EA) 2.38"X 63" STRUT SUPPORT	1	1	-	-	-	-	-	-	-	2	-	-	2	-	-	2	1	660.61 LBS
TF-ML3S2-8	TOWER FACE MOUNT, 3.5" OD X 8' PIPE,W/14" STAND-OFF, W/ (2EA) 2.38"X 63" STRUT SUPPORT	1	-	1	-	2	-	-	-	-	-	-	-	-	2	-	2	1	639.46 LBS
TF-ML3S2-14	TOWER FACE MOUNT, 3.5" OD X 14' PIPE,W/14" STAND-OFF, W/ (2EA) 2.38"X 63" STRUT SUPPORT	1	-	1	-	-	2	-	-	-	-	-	-	-	2	-	2	1	713.43 LBS
TF-ML3S2-20	TOWER FACE MOUNT, 3.5" OD X 20' PIPE,W/14" STAND-OFF, W/ (2EA) 2.38"X 63" STRUT SUPPORT	1	-	1	-	-	-	2	-	-	-	-	-	-	2	-	2	1	797.23 LBS
TF-ML4S2-8	TOWER FACE MOUNT, 4.5" OD X 8' PIPE,W/14" STAND-OFF, W/ (2EA) 2.38"X 63" STRUT SUPPORT	-	-	-	1	-	-	-	-	-	-	3	-	-	-	2	2	1	741.82 LBS
TF-ML4S2-14	TOWER FACE MOUNT, 4.5" OD X 14' PIPE,W/14" STAND-OFF, W/ (2EA) 2.38"X 63" STRUT SUPPORT	-	-	-	1	-	-	-	-	-	-	1	2	-	-	2	2	1	877.74 LBS

TF-M SERIES

COMMSCOPE, INC. OF NORTH CAROLINA

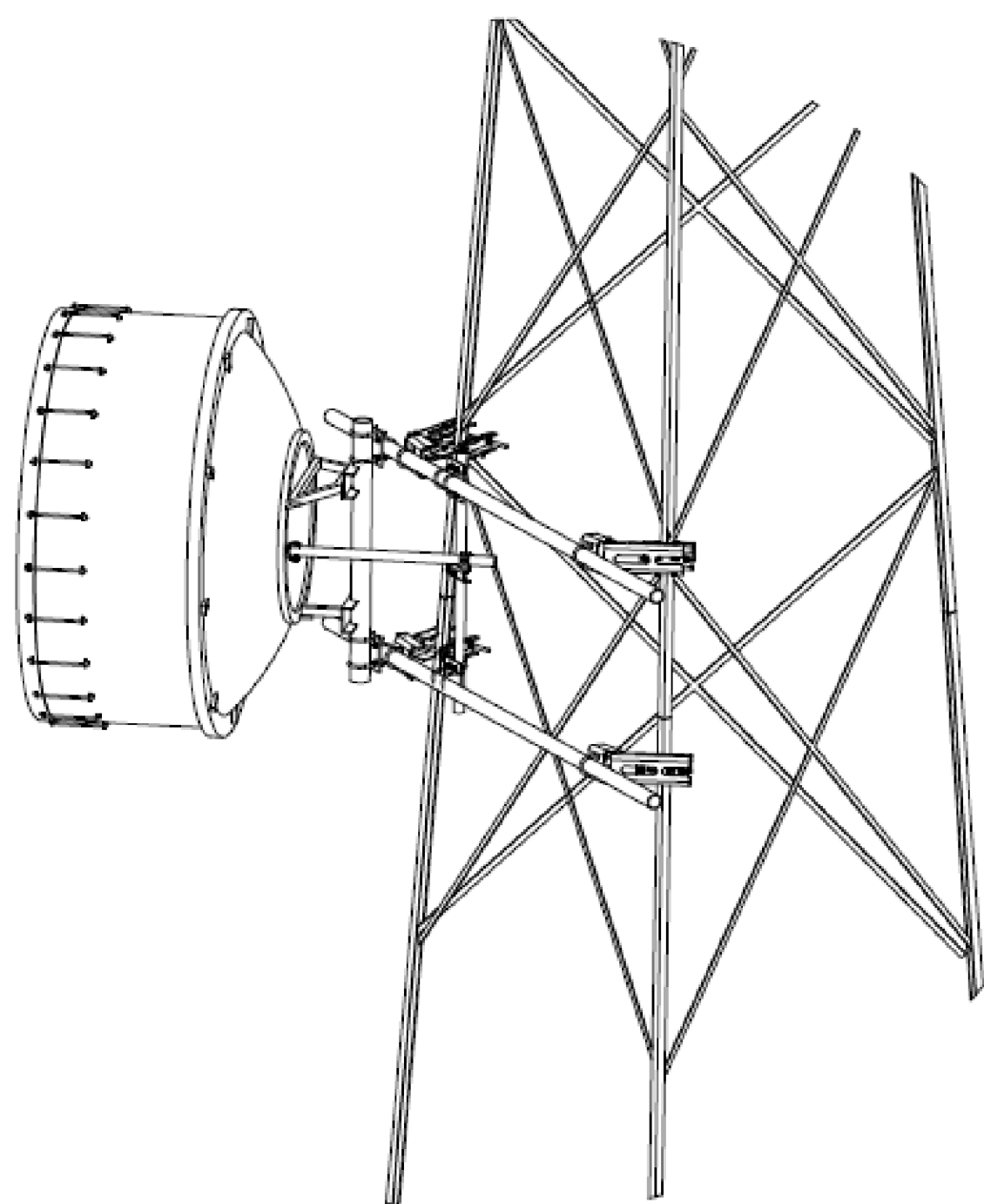
TITLE
FACE MOUNT SERIES

SIZE: C SCALE: 2:1 DOCUMENT NO.: TF-M SERIES

DRAWING	VERSION	STATUS	REVISION	SHEET 2 OF 4
	01	RE	H	

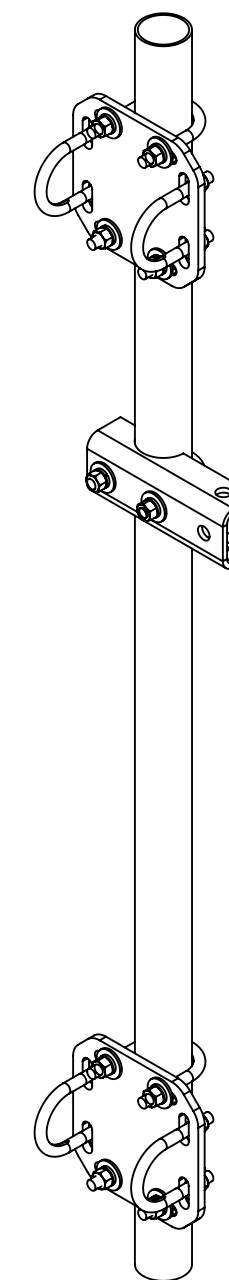
DISH DIAMETER TO TOWER FACE MOUNT CHART

DISH DIAMETER	TOWER FACE MOUNT							
	TF-M2-8	TF-M2-14	TF-M2-20	TF-M3-8	TF-M3-14	TF-M3-20	TF-M4-8	TF-M4-14
2' (0.6m)	X	X	X	X	X	X	X	X
4' (1.2m)	X	X	X	X	X	X	X	X
6' (1.8m)	X	-	-	X	X	X	X	X
8' (2.4m)	-	-	-	X	X	X	X	X
10' (3.1m)	-	-	-	X	X	X	X	X
12' (3.7m)	-	-	-	X	X	-	-	X
15' (4.6m)	-	-	-	-	-	-	X	-



OPTIONAL TOWER FACE MOUNT STRUT SUPPORTS

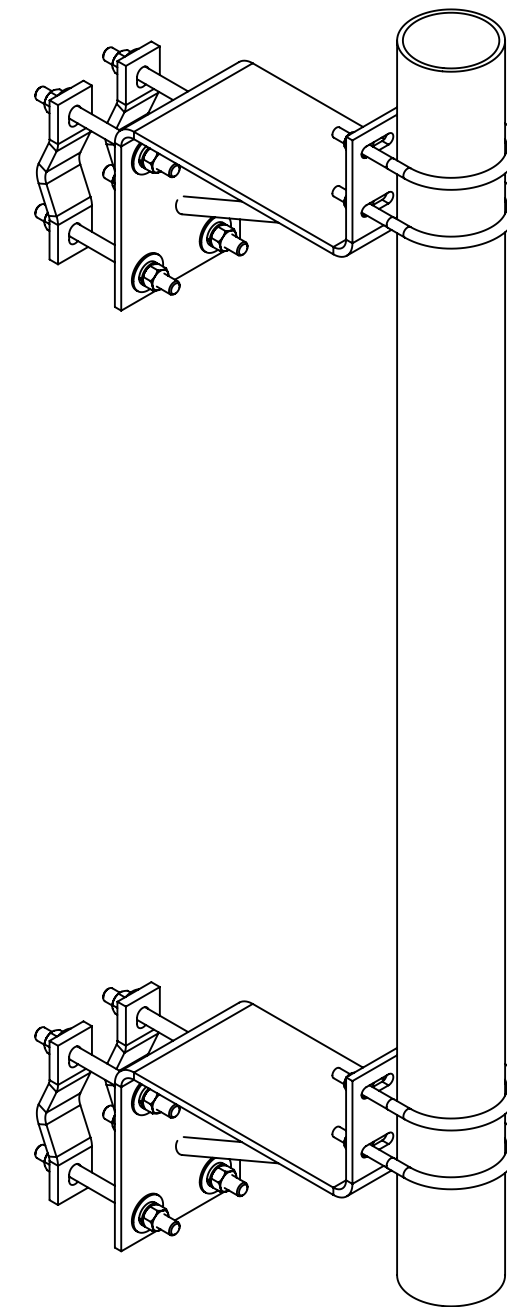
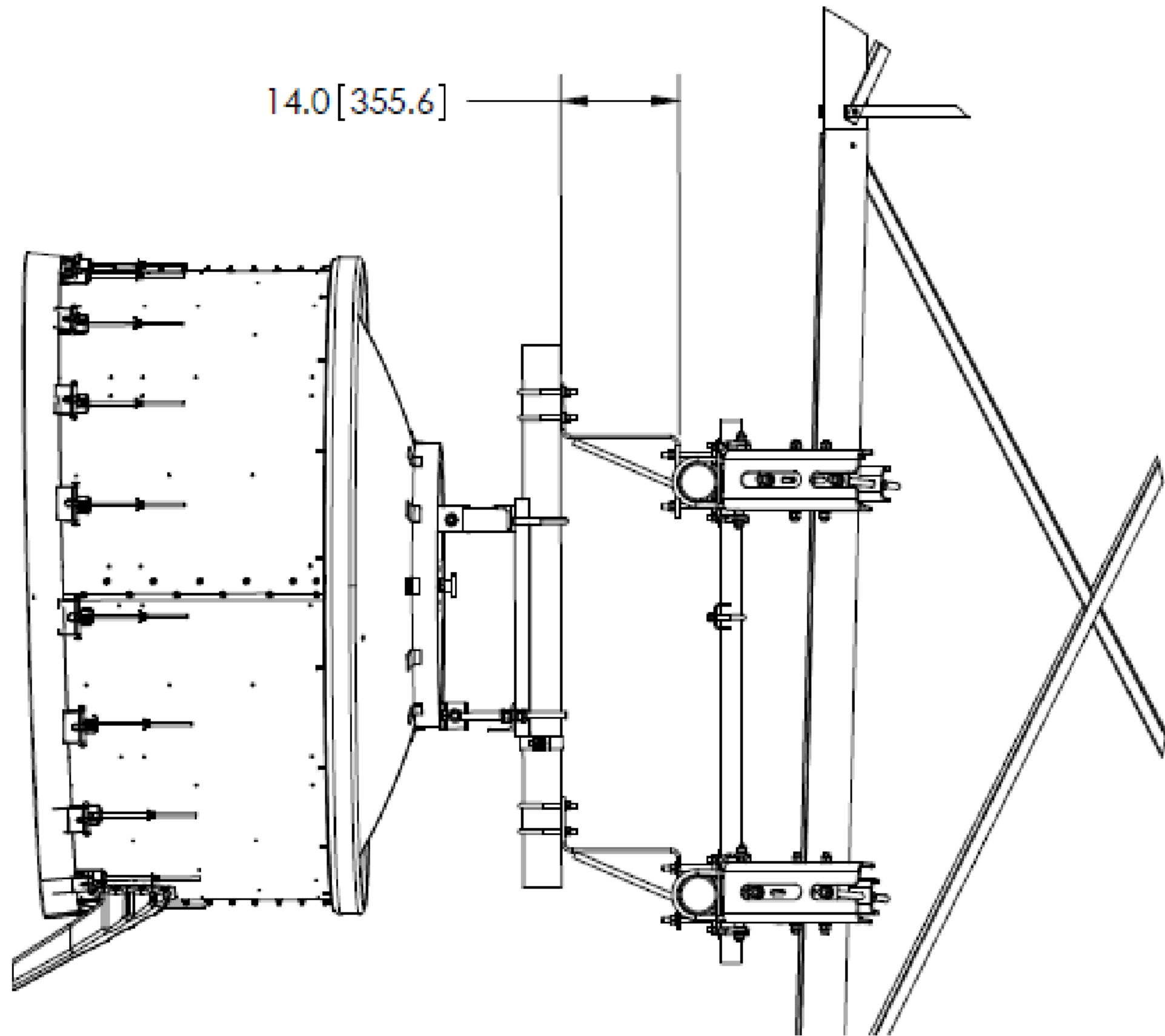
PART NO	DESCRIPTION	TF-M SERIES
TF-MSS-2	TOWER FACE MOUNT STRUT SUPPORT 2-3/8"OD X 2-3/8"OD	TF-M2-XX
TF-MSS-3	TOWER FACE MOUNT STRUT SUPPORT 2-3/8"OD X 3-1/2"OD	TF-M3-XX
TF-MSS-4	TOWER FACE MOUNT STRUT SUPPORT 2-3/8"OD X 4-1/2"OD	TF-M4-XX



NOTE: CONSULT FACTORY/DISTRIBUTOR FOR CORRECT ASSEMBLY.

COMMSCOPE, INC. OF NORTH CAROLINA				
TITLE FACE MOUNT SERIES				
SIZE C	SCALE 1:10	DOCUMENT NO. TF-M SERIES		
DRAWING		REVISION		SHEET
VERSION 01	STATUS RE	REVISION H	3 OF 4	

OPTIONAL TF-ST
TOWER FACE MOUNT STAND-OFF



COMMSCOPE, INC. OF NORTH CAROLINA					
TITLE					
FACE MOUNT SERIES					
SIZE	SCALE	DOCUMENT NO.			
C	1:10	TF-M SERIES			
		DRAWING			SHEET
		VERSION	STATUS	REVISION	4 OF 4
		01	RE	H	

