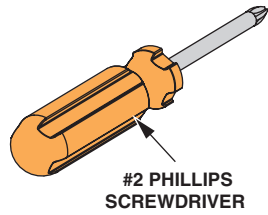


Compact High Density (CHD) Panel

Tools Required and Parts List



PARTS LIST	
QUANTITY	DESCRIPTION
1	CHD PANEL
4	RACK SCREW
2	SIDE PLATE, LARGE CABLE

CABLE BRACKETS ARE ACCESSORIES; MUST BE ORDERED SEPARATELY.



CHD PRODUCT PAGE QR CODE; ACCESS WITH SMARTPHONE FOR CHD USER MANUAL AND FIBER CONNECTOR CLEANING INSTRUCTIONS



This document shows the panel being installed on a 19-inch rack.

This document shows the 2RU model in most illustrations. The CHD Panel is also offered in a 1RU and 4RU models. Procedural and physical details are analogous for the 1RU and 4RU models.

1

Remove the CHD Panel from the Packaging with accessories and this quick start manual.

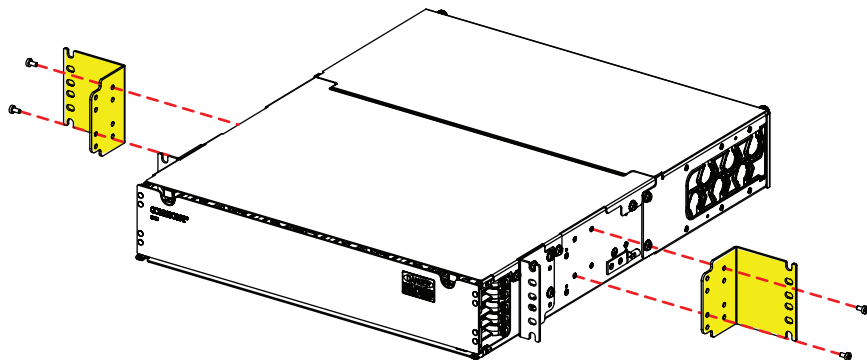
NOTE: There will be cardboard and/or plastic inserts inside of the panel to prevent damage during shipment.

Front door and rear cover will need to be opened to remove them.

2

For 19-in. Rack Mounting: Remove the Two 23-in. Mounting/Shipping Brackets

The mounting/shipping brackets (one on each side of the panel) are located behind the mounting brackets in the place shown. After being removed from the panel, they can be discarded unless used for 23 in. rack mounting.

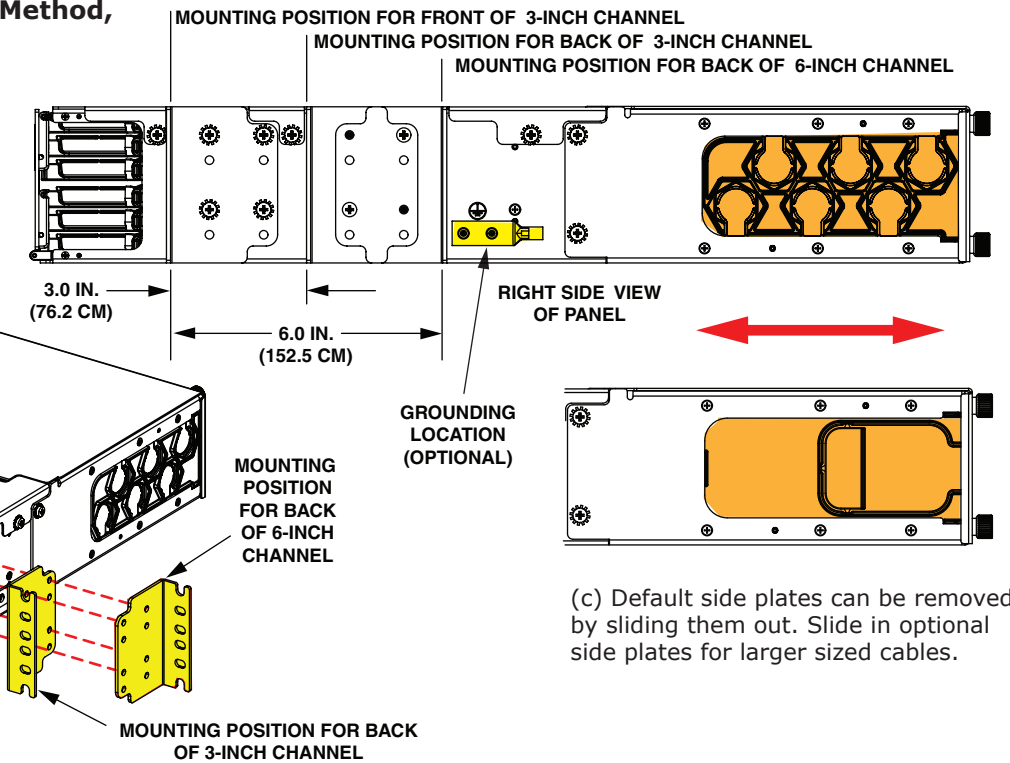
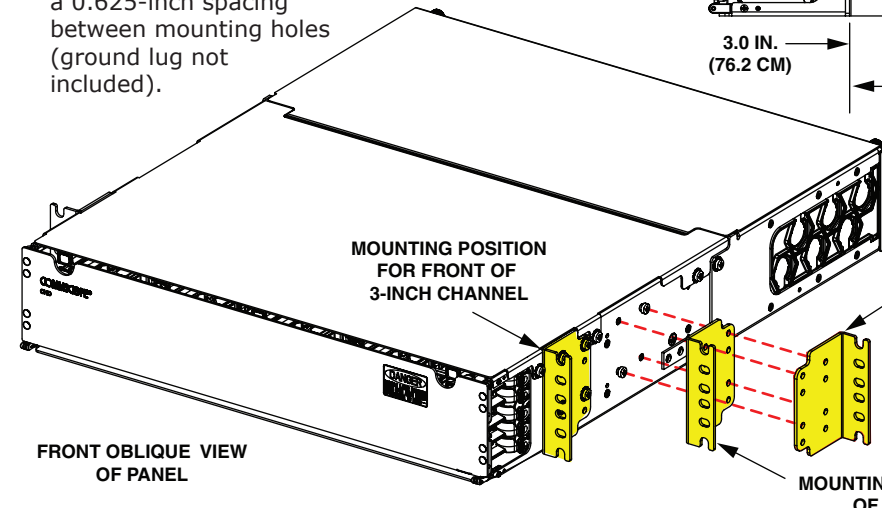


3

Select (a) Mounting Position, (b) Grounding Method, and (c) Whether to Use Optional Side Plates.

(a) The panel mounts on front or rear of a 3-inch or 6-inch channel. The channel can be a frame or the internal front supports of a cabinet. Mount as shown.

(b) Ground per local practice in the location shown. Two-hole grounding requires a 0.625-inch spacing between mounting holes (ground lug not included).



(c) Default side plates can be removed by sliding them out. Slide in optional side plates for larger sized cables.

4

Mount Panel in Channel Rack or Cabinet

Use M6 or #12-24 screws (provided) as appropriate.

CHANNEL RACK MOUNTING:

Cable Mounting Bracket (EHD-RMB) mounts to rear rail and provides point to secure trunks.
Vertical Cable Mounting Bracket (EHD-RMB-GAB) mounts to rear rail and allows cable attachment molding to snap into bracket for top down or bottom up securing of CommScope trunks with gland adapters.

UMB Bracket (UMB-RMB-LG) can be installed above or below panel (usually not used on same rack as EHD brackets).

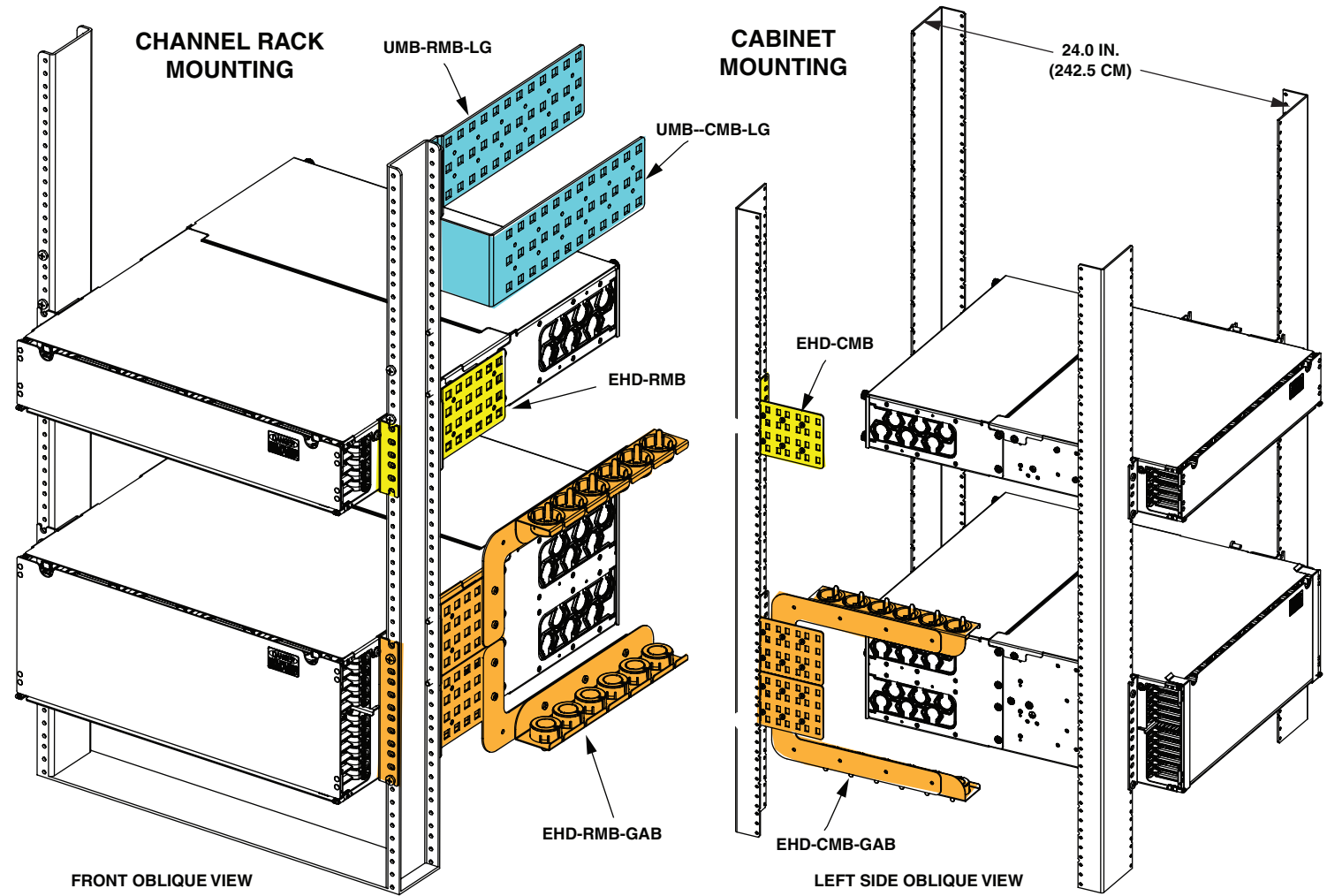
CABINET MOUNTING:

is done using same accessories (with different catalog numbers) modified for use in cabinet.

NOTE: Front and back rails should be 24 inches (60.96 cm) apart when mounting with 3-inch (7.62 cm) recess.

Cable Mounting Bracket (EHD-CMB)
Vertical Cable Mounting Bracket (EHD-CMB-GAB)

UMB Bracket (UMB-CMB-LG) Usually not used in same cabinet with EHD brackets.



5

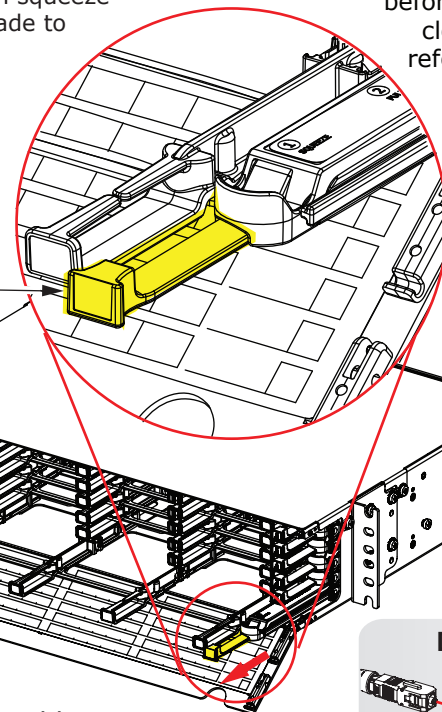
Slide Out Tray to Mount Module or Adapter Pack

NOTE: This step is not necessary at this time if a module or adapter pack or cassette is not being installed.

Pull out on pull arm to slide the blade to the first position, then squeeze as shown to slide the blade to second position.

The rear connectors on LC or MPO adapter packs are able to be unplugged and cleaned in the second blade position.

PULL ARM

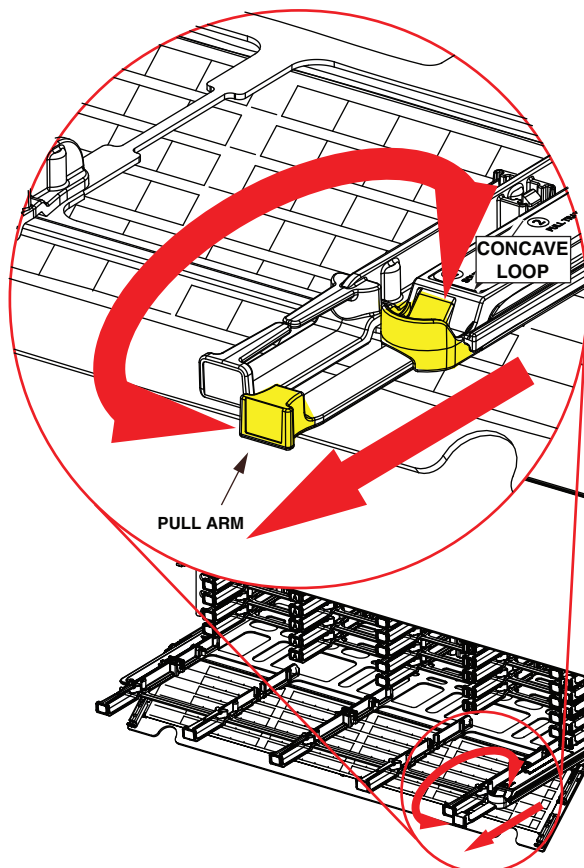


NOTE:

Always clean and inspect connectors before mating them. For cleaning instructions, refer to ADCP-90-159, which can be downloaded using the QR code on page 1 of this Quick Start.

NOTE:

Tray must be in second position to install adapter packs or modules.



CONCAVE LOOP

PULL ARM

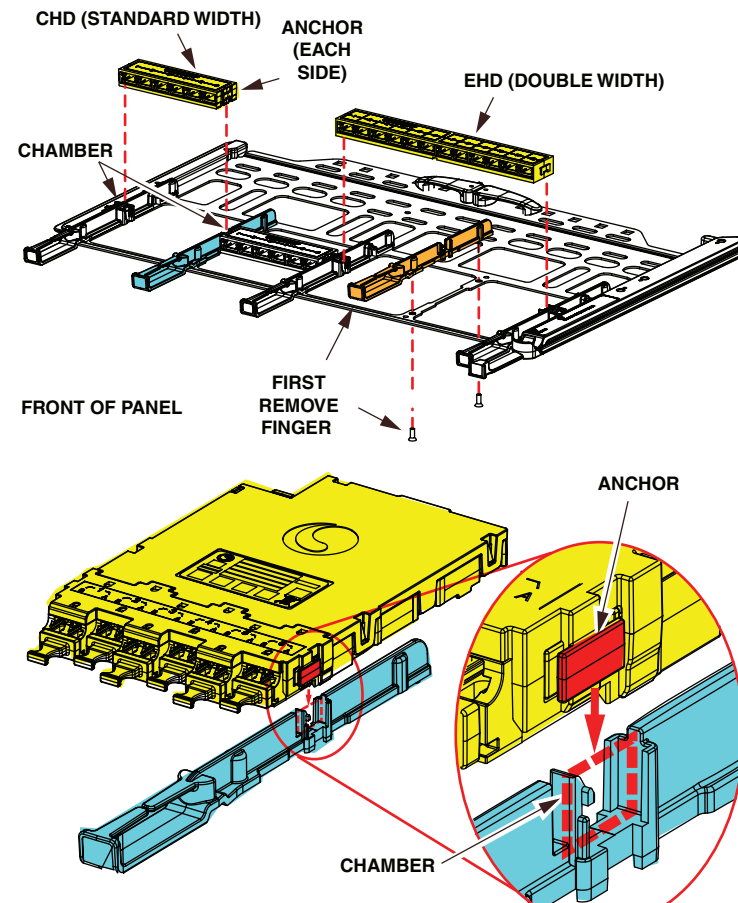
Danger:

Infrared radiation is invisible and can seriously damage the retina of the eye. Do not look into the ends of any optical fiber. Do not look directly into the optical adapters of the adapter packs. Exposure to invisible laser radiation may result. A protective cap or hood MUST be immediately placed over any radiating adapter or optical fiber connector to avoid the potential of dangerous amounts of radiation exposure. This practice also prevents dirt particles from entering the connector and adapter.

6

Install Adapter Pack or Module

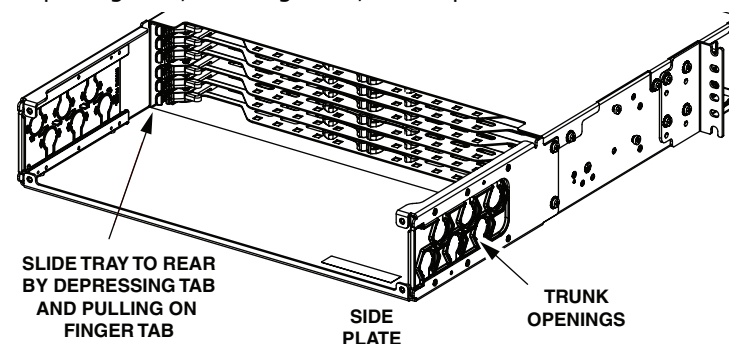
To install a module, adapter pack, or cassette, press anchor down into chamber to seat anchor securely into chamber, as shown. Any CHD (standard width) or EHD (double width) module, adapter pack, or cassette can be installed in the CHD panel. To install EHD components, the finger from the tray must be removed - this is done by removing 2 screws from the bottom side of finger, as shown.



7

Initial Trunk Installation Preferred Method

Remove rear cover (if not already removed). To remove the rear cover, turn fastener counterclockwise (not shown). Load panel from bottom up. Use farthest front trunk opening first, working back, then up.



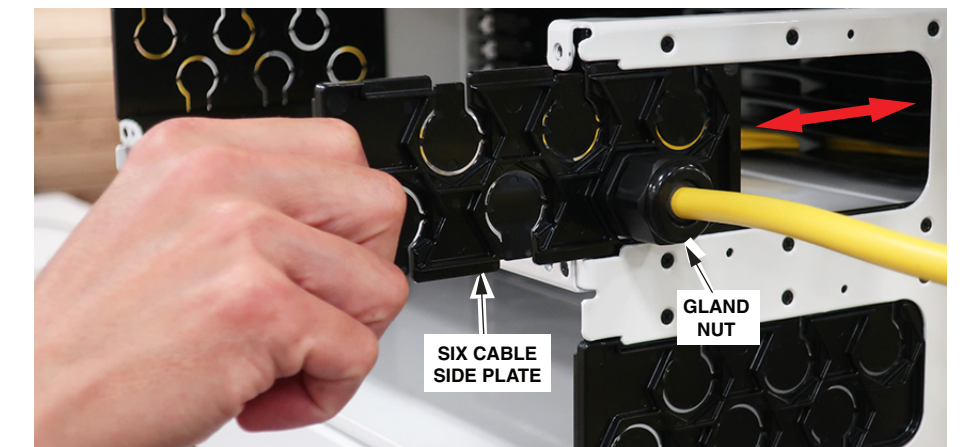
8

Secure and Route Cable

NOTE: Before securing cable to rack or bracket outside of panel, make sure inside length from side plate to connector is 30-33 in. (76.2-83.82cm) for proper blade movement. Using a CommScope trunk with gland shown below will usually provide this slack.

Slide out side plate. Remove applicable knock-out for cable installation. Insert cable with gland nut. Tighten nut to side plate. Slide side plate into panel. Arrange cable in panel.

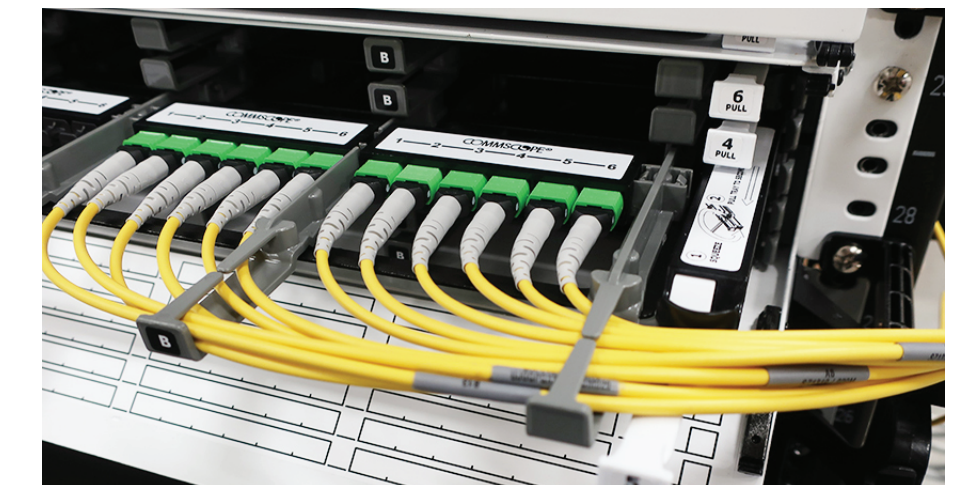
For cable routing and bundling information, please refer to the CHD Panel User Guide (accessible using QR code on page 1 of this guide).



9

Route Patch Cords

When connecting patch cords, route patch cords from the center of the CHD outward to each side, using the cable guides to secure and route the patch cords as shown below.



10

Close Back Cover and Front Door

PRODUCT PATENTS: <http://www.commscope.com/ProductPatent/ProductPatent.aspx>
 PRODUCT INFORMATION AND TECHNICAL SUPPORT: <http://www.commscope.com/SupportCenter>

COMMSCOPE®