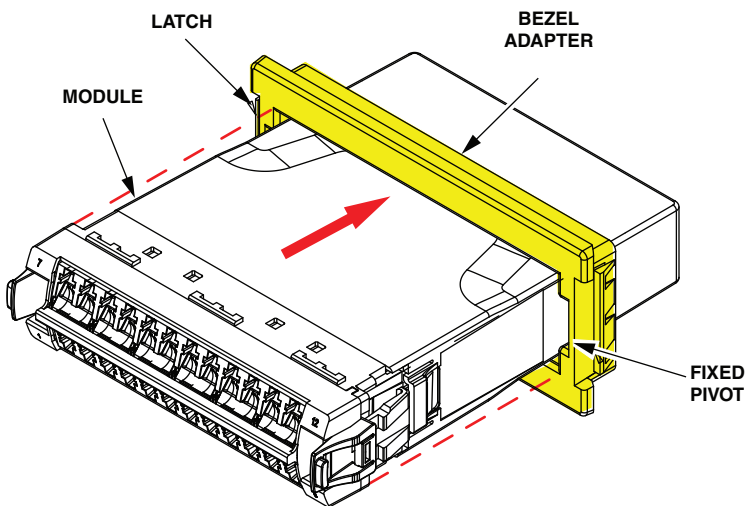


UCP/Quick-Fit to G2 Adapter Bracket

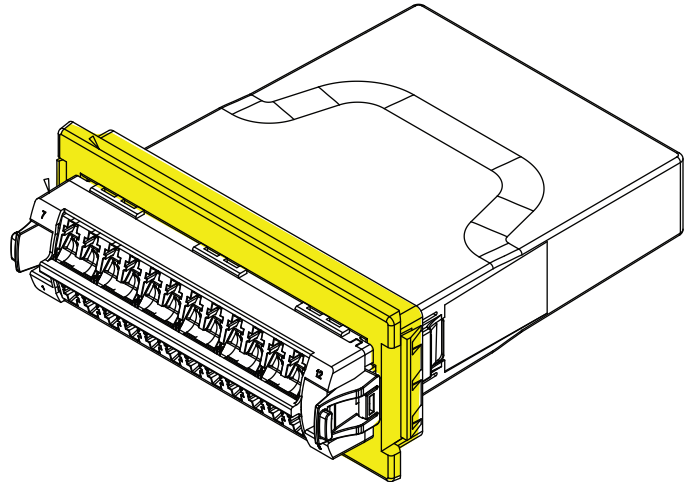
- 1** Orient module as shown and slide it through the bezel adapter.



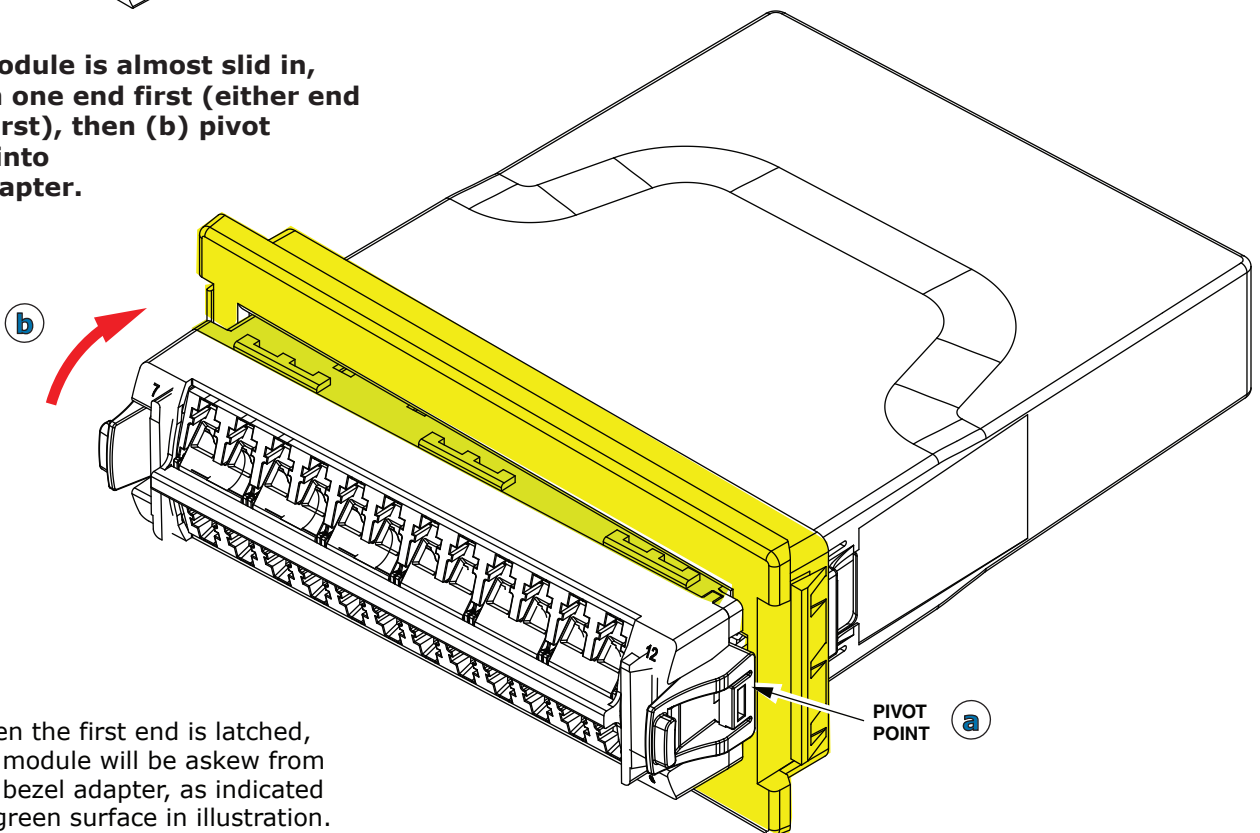
Observe location of latch and fixed pivot.



- 3** Press in the module until it is fully seated on the bezel adapter as shown.

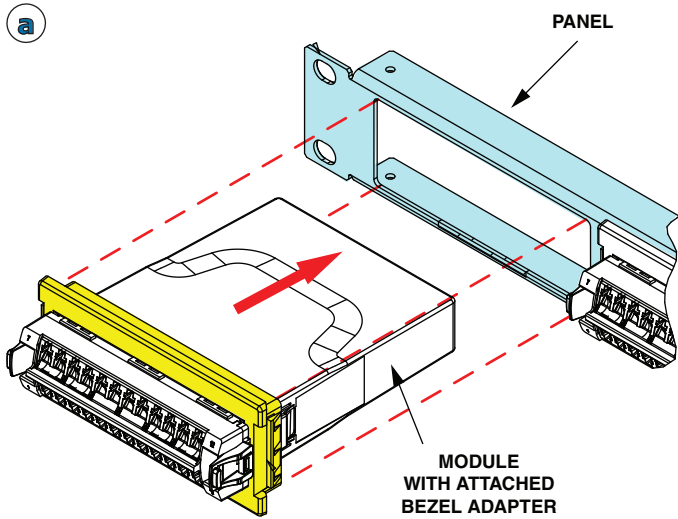


- 2** When module is almost slid in, (a) latch one end first (either end can be first), then (b) pivot module into bezel adapter.

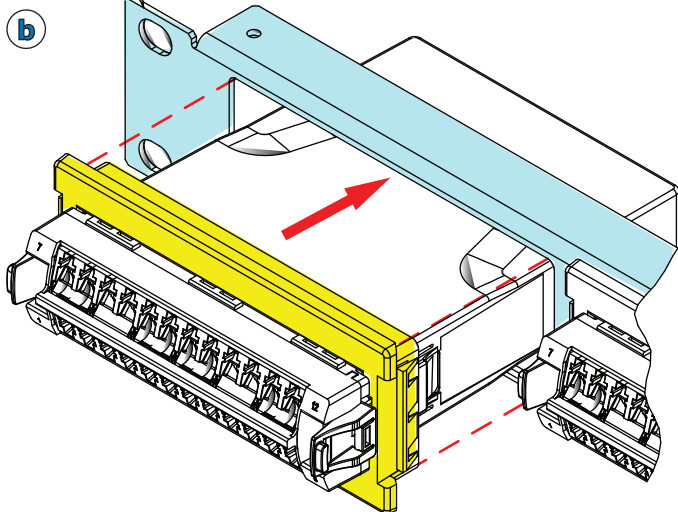
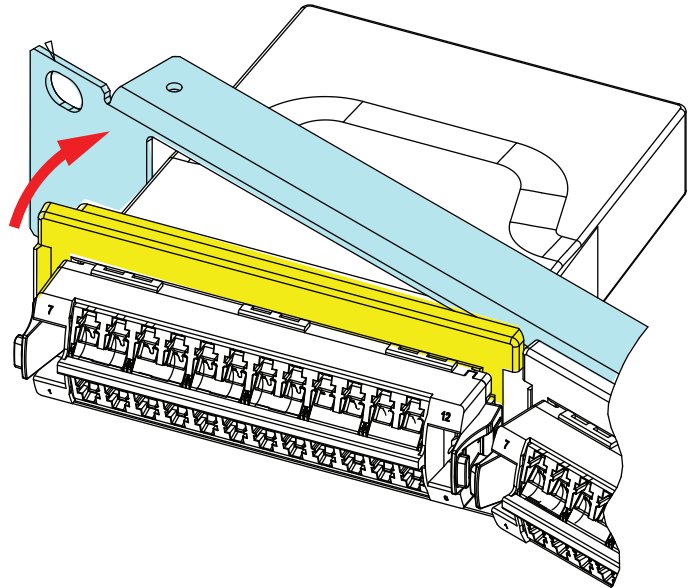


When the first end is latched, the module will be askew from the bezel adapter, as indicated by green surface in illustration.

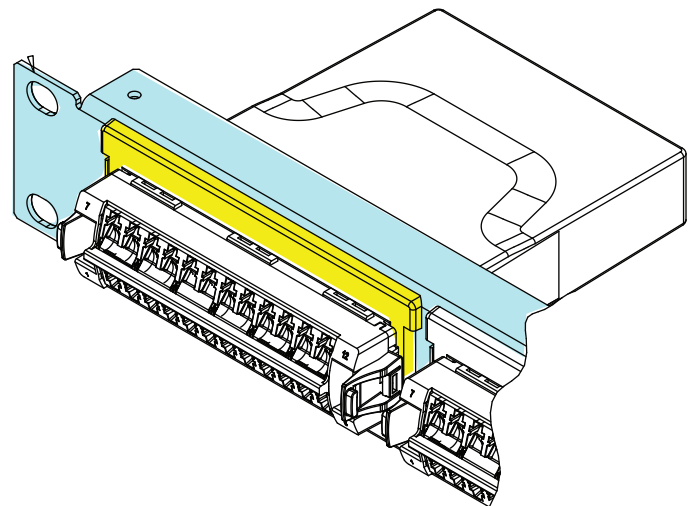
- 4 (a) Orient the module as shown (with bezel adapter attached), and (b) slide the module about halfway into the panel.



- 5 Swing in the first pivot point, hinge first, as shown.



- 6 Pivot the module until the latch snaps into place and is fully seated as shown.



COMMScope®

TECHNICAL ASSISTANCE AND PRODUCT INFORMATION

<http://www.commscope.com/SupportCenter>

PRODUCT PATENTS

<http://www.cs-pat.com>