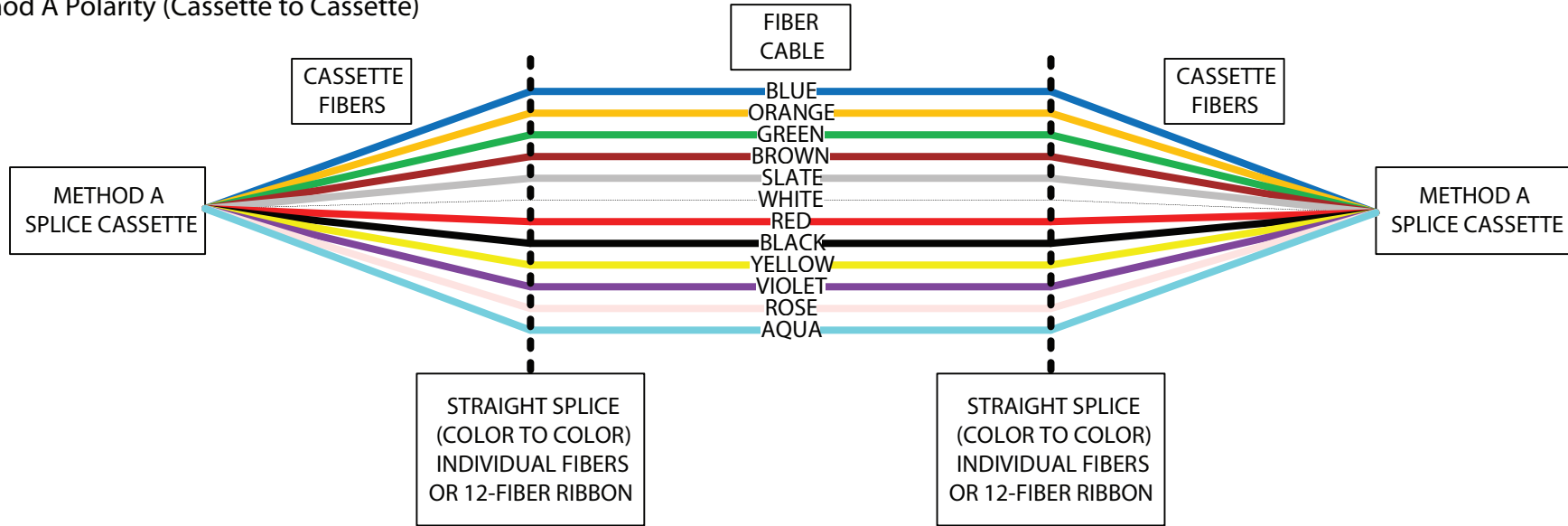
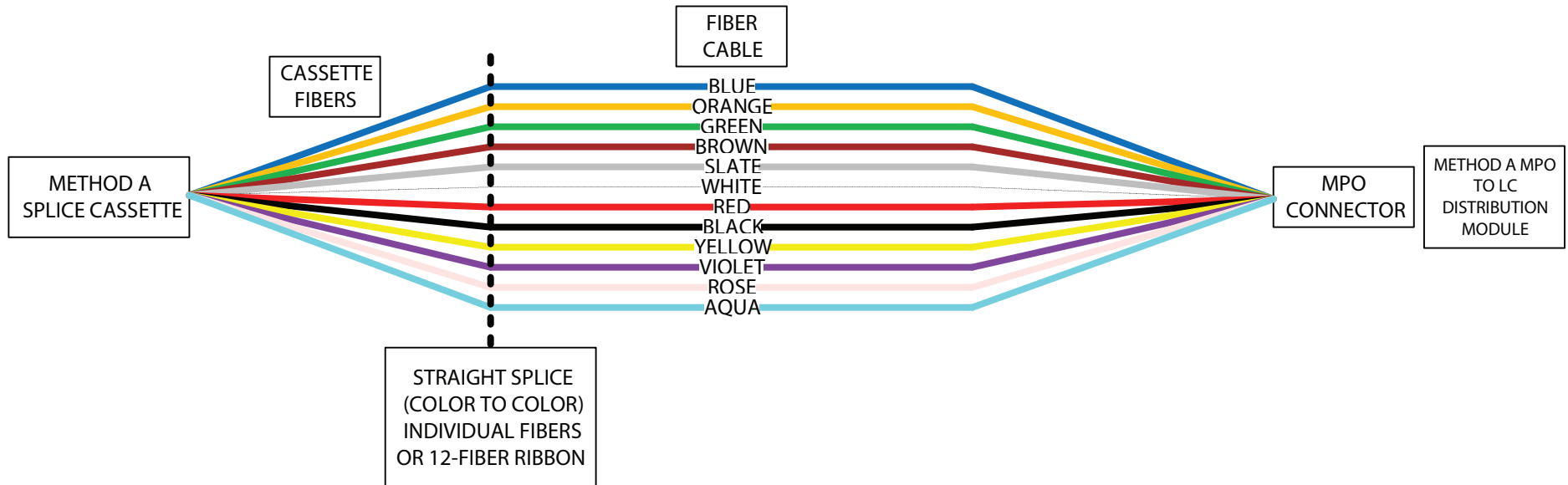




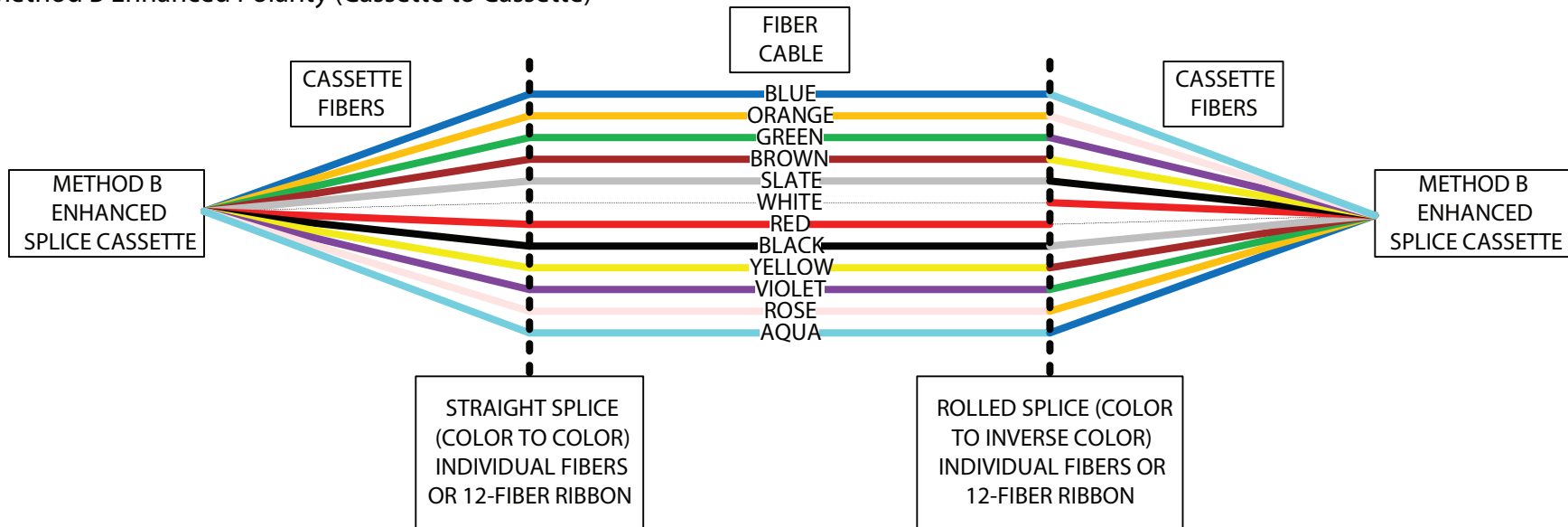
#### Method A Polarity (Cassette to Cassette)



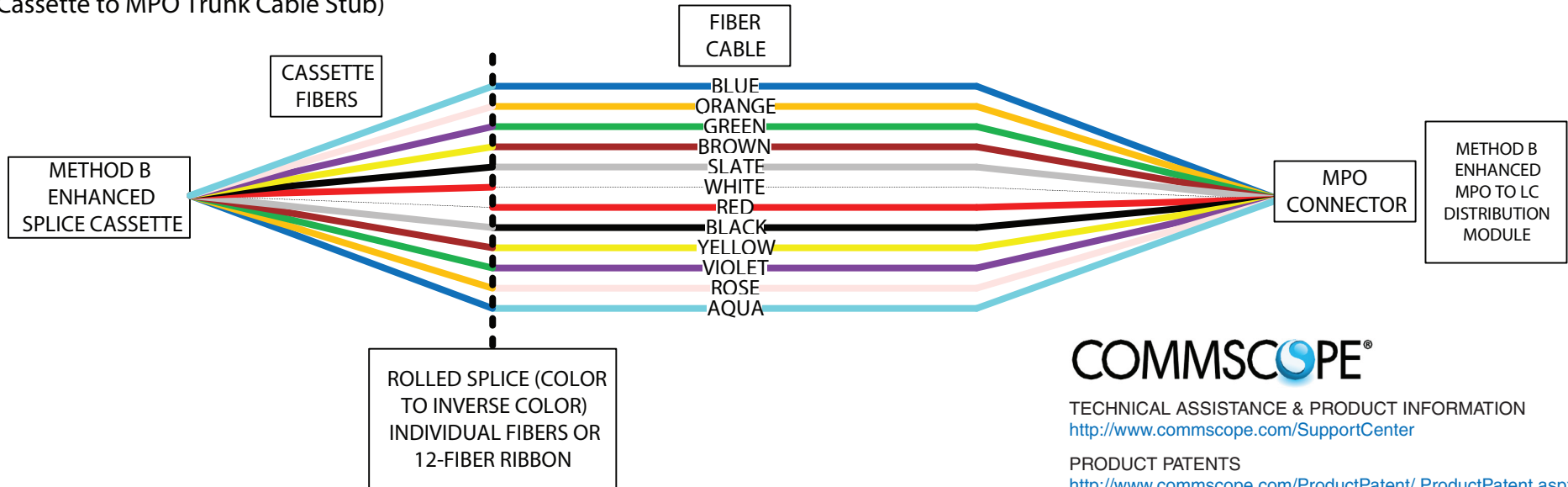
#### Method A Polarity (Cassette to MPO Trunk Cable Stub)



Method B Enhanced Polarity (Cassette to Cassette)



Method B Enhanced Polarity (Cassette to MPO Trunk Cable Stub)



**COMMScope®**

TECHNICAL ASSISTANCE & PRODUCT INFORMATION  
<http://www.commscope.com/SupportCenter>

PRODUCT PATENTS  
<http://www.commscope.com/ProductPatent/ProductPatent.aspx>