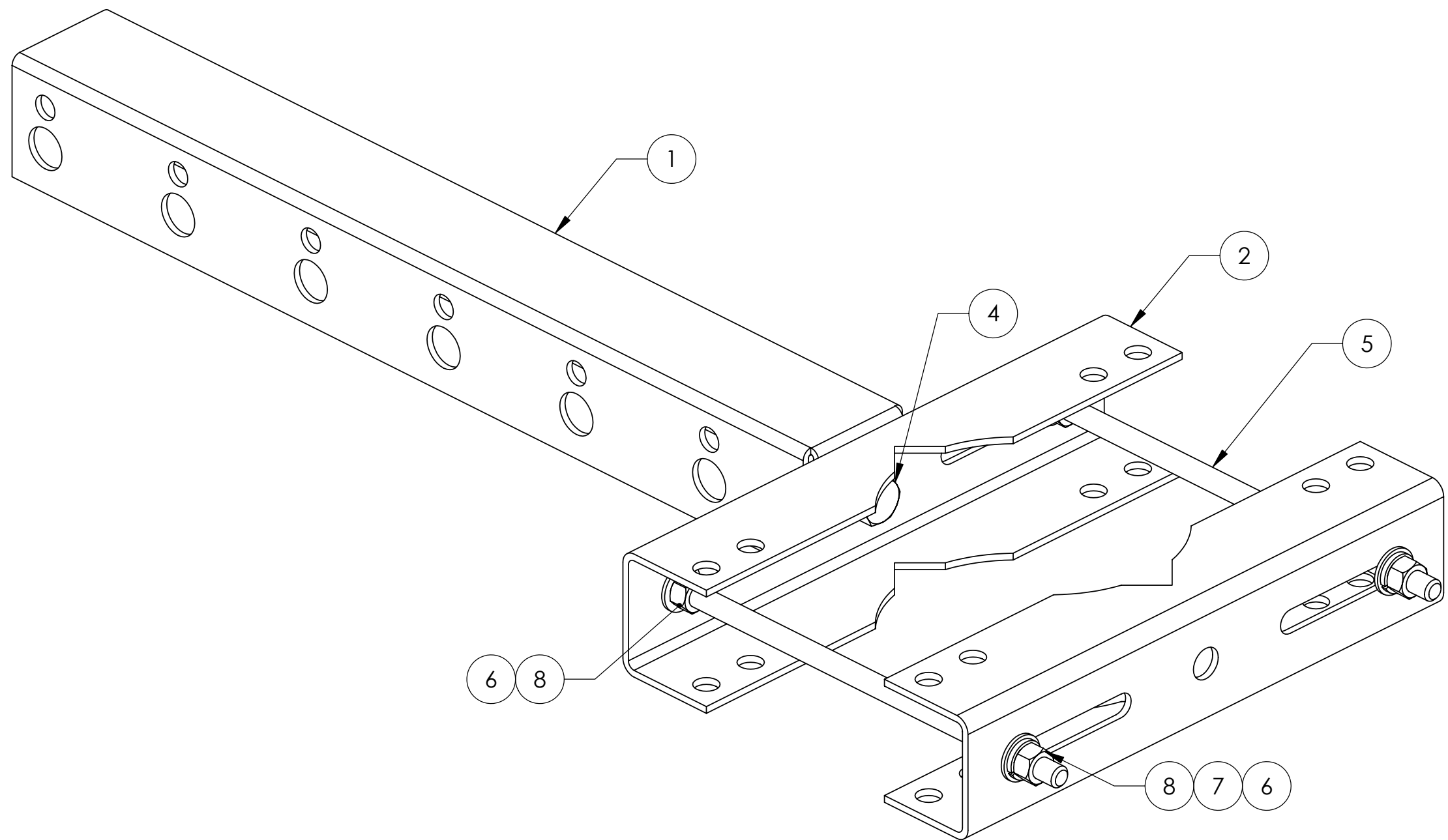



ITEM	PART NO.	DESCRIPTION	QTY.	WEIGHT
1	SSTB.02	STAR SUPPORT TEE BRACKET	1	3.74 LBS
2	SS2550.01	STAR SUPPORT CLAMP	2	1.89 LBS
3	SSTB2550H	HARDWARE KIT (ITEMS 4-8)	1	-
4	GB-04105	1/2" X 1" GALV BOLT KIT	1	0.11 LBS
5	GD-03950	3/8" X 9-1/2" GALV. THREADED ROD	2	0.30 LBS
6	GWF-03	3/8" GALV FLAT WASHER	6	0.01 LBS
7	GWL-03	3/8" GALV LOCK WASHER	4	0.01 LBS
8	GN-03	3/8" GALV HEX NUT	6	0.08 LBS

REVISIONS				
REV.	ZONE	DESCRIPTION	BY	DATE
A		INITIAL RELEASE	MA	05/15/01
B		UPDATE PART LIST	ACG	09/19/03



These drawings and specifications are the proprietary property of ANDREW CORPORATION and may be used only for the specific purpose authorized in writing by Andrew Corporation. ALL DIMENSIONS ARE IN INCHES U.O.S. TOLERANCES UNLESS OTHERWISE SPECIFIED: .X = ± .06 ANGLES ± 2° .XX = ± .03 FRACTIONS ± 1/32 .XXX = ± .010 REMOVE BURRS AND BREAK EDGES .005 DO NOT SCALE THIS PRINT	DRAWN BY: ACG	SHEET: 1 of 1	PART NUMBER: SS-TB2550
	CHECKED BY: TP	SCALE: NTS	DESCRIPTION: STAR SUPPORT TEE BRACKET
	DATE: 04/22/05	MATERIAL: A568	DRAWING TYPE: ASSEMBLY DRAWING
	REVISION: B	FINISH: GALV A123	 ORLAND PARK, IL. 60462 U.S.A.
	WEIGHT: 8.46 LBS		