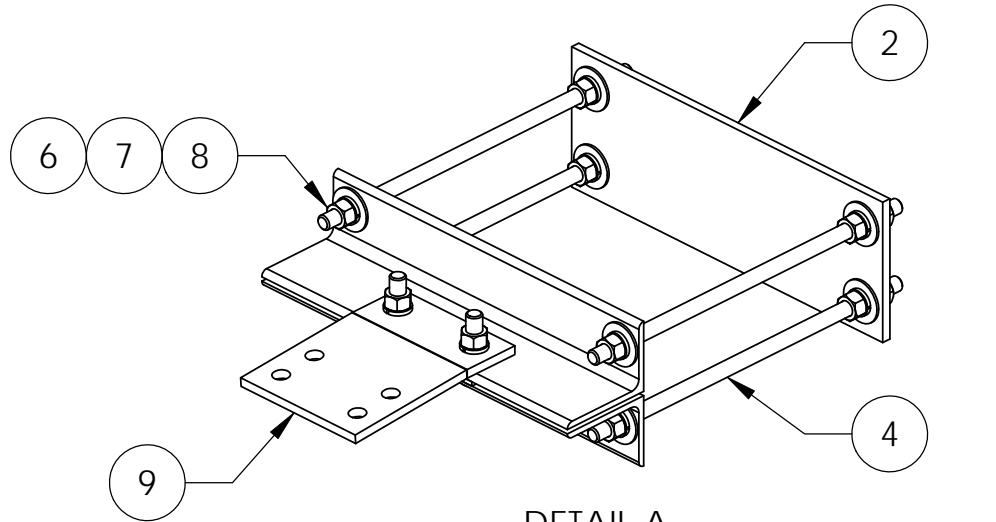
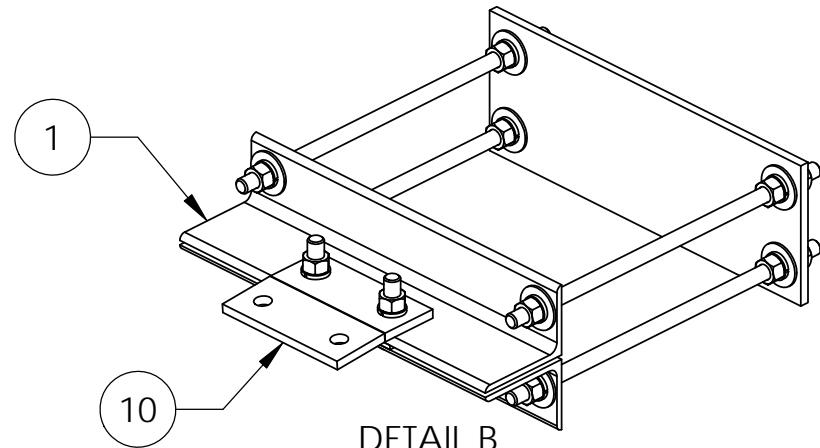


| ITEM | PART NO.    | DESCRIPTION                         | QTY. | WEIGHT    |
|------|-------------|-------------------------------------|------|-----------|
| 1    | SMUT1012.01 | SADDLE MOUNT ANGLE BRACKET          | 4    | 7.49 LBS  |
| 2    | SMUT1012.02 | SADDLE MOUNT BACK PLATE             | 2    | 10.09 LBS |
| 3    | SMU2080.02  | ANGLE ADAPTER PLATE                 | 2    | 1.49 LBS  |
| 4    | MT-382-16   | 5/8" X 16" THREADED ROD             | 8    | 1.28 LBS  |
| 5    | GB-0524A    | 5/8" X 2-1/2" GALV. BOLT KIT (A325) | 8    | 0.26 LBS  |
| 6    | GWF-05      | 5/8" GALV FLAT WASHER               | 24   | 0.03 LBS  |
| 7    | GWL-05      | 5/8" GALV LOCK WASHER               | 24   | 0.00 LBS  |
| 8    | GN-05       | 5/8" GALV HEX NUT                   | 24   | 0.04 LBS  |
| 9    | SFU.02      | UPPER ADAPTER PLATE                 | 1    | 5.07 LBS  |
| 10   | SFU.03      | LOWER ADAPTER PLATE                 | 1    | 3.03 LBS  |

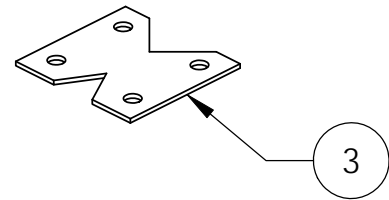
| REVISIONS |      |                         |     |          |
|-----------|------|-------------------------|-----|----------|
| REV.      | ZONE | DESCRIPTION             | BY  | DATE     |
| A         |      | INITIAL RELEASE         | CAM | 02/05/02 |
| B         |      | UPDATE ITEM 8 TO A325   | ACG | 01/14/04 |
| C         |      | UPDATE HARDWARE QTY     | ACG | 02/20/06 |
| D         |      | UPDATE TITLE BLOCK      | MSM | 08/28/09 |
| E         |      | UPDATE DRAWING ISO VIEW | MSM | 09/25/12 |



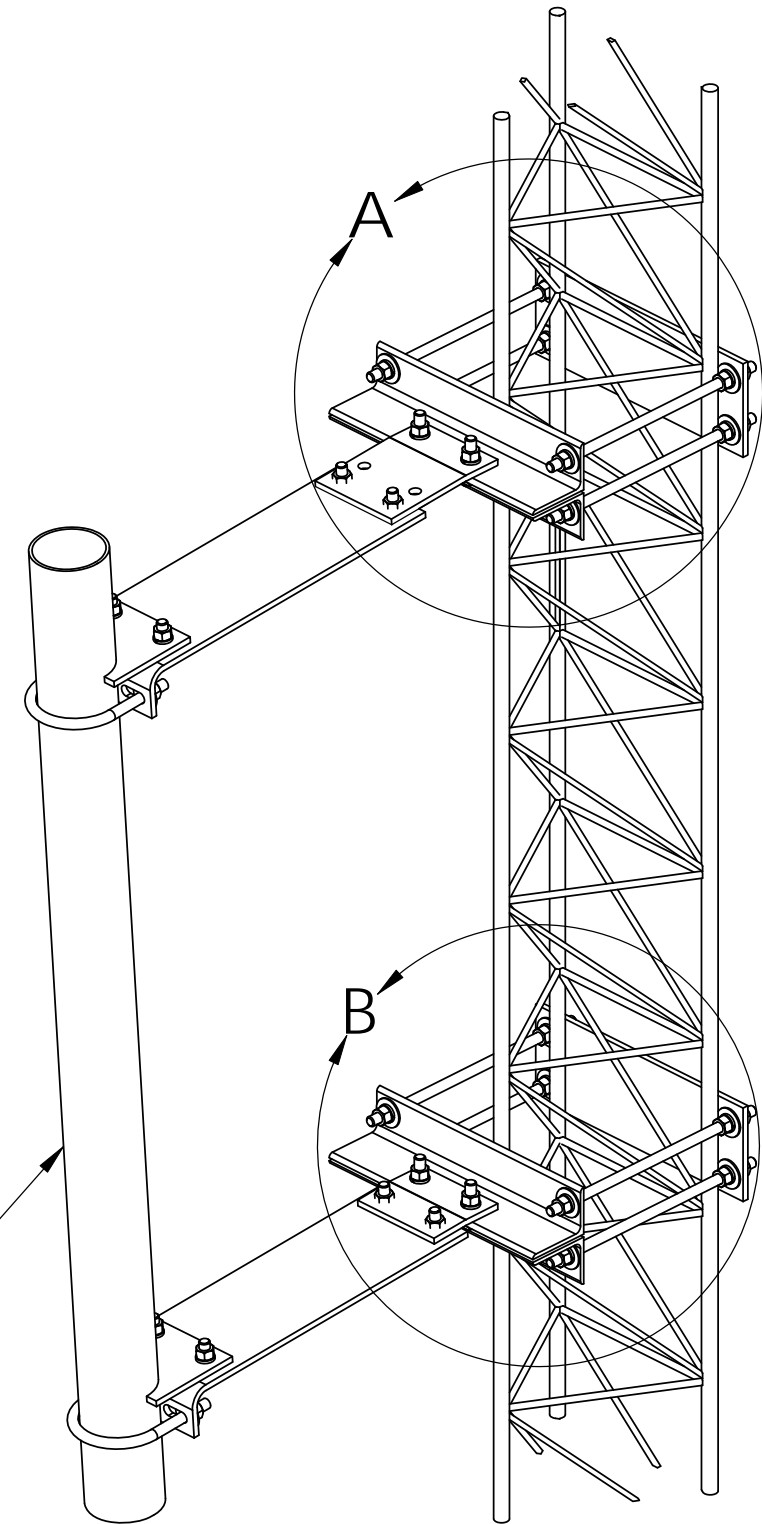
DETAIL A  
SCALE 9 : 64




DETAIL B  
SCALE 9 : 64



SOLD SEPERATELY



- NOTES:
- ITEMS 9 & 10 ARE OTPIONAL TAPER PLATES.
  - THE ANGLE ADAPTER PLATE (ITEM 3) IS INSTALLED BETWEEN THE SADDLE MOUNT ANGLE BRACKETS (ITEM 1)

|   |                       |  |  |
|---|-----------------------|--|--|
| <small>These drawings and specifications are the proprietary property of ANDREW CORPORATION and may be used only for the specific purpose authorized in writing by Andrew Corporation.</small><br>ALL DIMENSIONS ARE IN INCHES U.O.S.<br>TOLERANCES UNLESS OTHERWISE SPECIFIED:<br>.X = ± .12      ANGLES      ±2°<br>.XX = ± .06      FRACTIONS      ±1/32<br>.XXX = ± .03<br>REMOVE BURRS AND BREAK EDGES .005<br>DO NOT SCALE THIS PRINT | DRAWN BY:<br>ACG      | SHEET:<br>1 of 1                             | PART NUMBER:<br><b>SM-UT1012</b>   |
|   | CHECKED BY:<br>TP     | SCALE:<br>NTS                                | DESCRIPTION:<br>10"-12" Saddle Mount Kit   |
|   | DATE:<br>02/20/06     | MATERIAL:<br>A36                             | DRAWING TYPE:<br>ASSEMBLY DRAWING  |
|   | REVISION:<br><b>E</b> | FINISH:<br>GALV A123<br>WEIGHT:<br>78.40 LBS |  ORLAND PARK, IL. 60462<br>U.S.A. |