

4

3

2

1

NOTES:
1.0 ALL METRIC DIMENSIONS ARE IN BRACKETS.

REVISIONS				
REV.	ECN	DESCRIPTION	BY	DATE
A		INITIAL RELEASE	MSM	10/05/09
B		UPDATE 3-1/2" TABLE	MSM	04/07/10
C	8000030766	SH2 CHG DIMS "TO SEE TABLE" & UPDATE FORMAT	RJC	07/23/18

SF-DPM-B

PART NO.	DESCRIPTION	QTY	WEIGHT
SM-U2080	UNIVERSAL SADDLE MOUNT	1	50.00 LBS
SM-UADP	ANGLE ADAPTER KIT	1	7.24 LBS
MC-DPM-B	Monopole Colocation Dual Pipe Mount Base Kit	1	71.89 LBS
GB-0520A	5/8" X 2" GALV BOLT KIT (A325)	8	0.27 LBS
GWFO5A	5/8" GALV FLAT WASHER (A325)	8	0.03 LBS

Ø 2-3/8" OD PIPE TABLE

PART NO.	DESCRIPTION	MT-219-H	MT-651	MT-651-84	MT-651-96	MT-537	WEIGHT
SF-DPM2-B	Lattice Twr Colocation Dual Pipe Mount, 2-3/8" OD Pipe	2	-	-	-	-	210.74 LBS
SF-DPM2-72	Lattice Twr Colocation Dual Pipe Mount, 2-3/8" OD x 72" Pipe	2	2	-	-	-	254.73 LBS
SF-DPM2-84	Lattice Twr Colocation Dual Pipe Mount, 2-3/8" OD x 84" Pipe	2	-	2	-	-	262.06 LBS
SF-DPM2-96	Lattice Twr Colocation Dual Pipe Mount, 2-3/8" OD x 96" Pipe	2	-	-	2	-	269.40 LBS
SF-DPM2-126	Lattice Twr Colocation Dual Pipe Mount, 2-3/8" OD x 126" Pipe	2	-	-	-	2	287.73 LBS

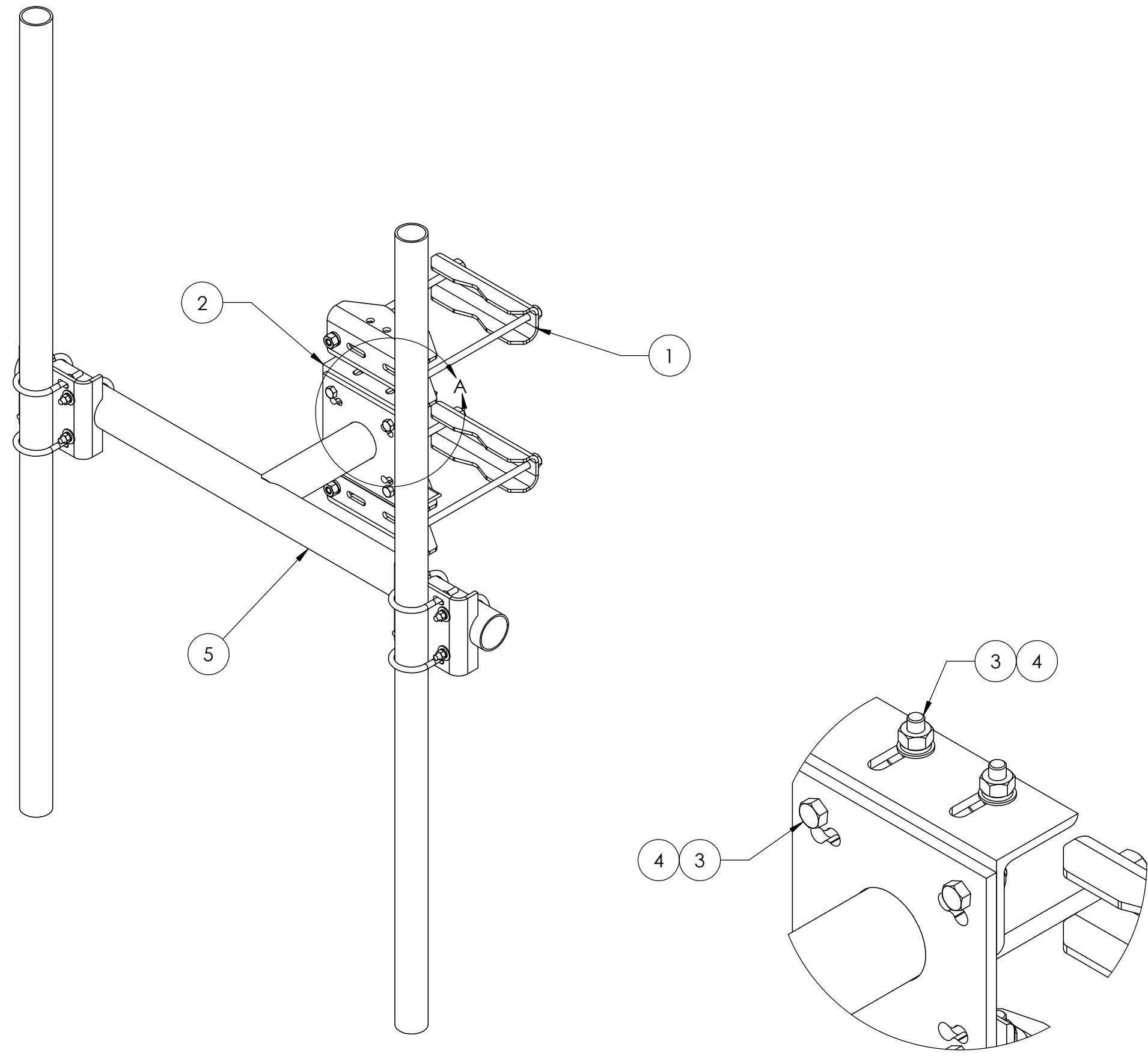
Ø 2-7/8" OD PIPE TABLE

PART NO.	DESCRIPTION	MT-219M-H	MT54672	MT54684	MT54696	MT-546-126	WEIGHT
SF-DPM3-B	Lattice Twr Colocation Dual Pipe Mount, 2-7/8" OD Pipe	2	-	-	-	-	213.47 LBS
SF-DPM3-72	Lattice Twr Colocation Dual Pipe Mount, 2-7/8" OD x 72" Pipe	2	2	-	-	-	283.24 LBS
SF-DPM3-84	Lattice Twr Colocation Dual Pipe Mount, 2-7/8" OD x 84" Pipe	2	-	2	-	-	294.87 LBS
SF-DPM3-96	Lattice Twr Colocation Dual Pipe Mount, 2-7/8" OD x 96" Pipe	2	-	-	2	-	306.50 LBS
SF-DPM3-126	Lattice Twr Colocation Dual Pipe Mount, 2-7/8" OD x 126" Pipe	2	-	-	-	2	335.57 LBS

Ø 3-1/2" OD PIPE TABLE

PART NO.	DESCRIPTION	MT-219L-H	MT54772	MT54784	MT54796	MT-547-126	WEIGHT
SF-DPM35-B	Lattice Twr Colocation Dual Pipe Mount, 3-1/2" OD Pipe	2	-	-	-	-	213.44 LBS
SF-DPM35-72	Lattice Twr Colocation Dual Pipe Mount, 3-1/2" OD x 72" Pipe	2	2	-	-	-	304.68 LBS
SF-DPM35-84	Lattice Twr Colocation Dual Pipe Mount, 3-1/2" OD x 84" Pipe	2	-	2	-	-	319.88 LBS
SF-DPM35-96	Lattice Twr Colocation Dual Pipe Mount, 3-1/2" OD x 96" Pipe	2	-	-	2	-	335.19 LBS
SF-DPM35-126	Lattice Twr Colocation Dual Pipe Mount, 3-1/2" OD x 126" Pipe	2	-	-	-	2	373.11 LBS

ITEM	PART NO.	DESCRIPTION	QTY.	WEIGHT
1	SM-U2080	UNIVERSAL SADDLE MOUNT	1	20.72 LBS
2	SM-UADP	ANGLE ADAPTER KIT FOR SM-U SERIES	1	8.16 LBS
3	GB-0520A	5/8" X 2" GALV BOLT KIT (A325)	8	0.26 LBS
4	GWFO5A	5/8" GALV FLAT WASHER (A325)	8	0.03 LBS
5	MC-DPM-B	Monopole Colocation Dual Pipe Mount Base Kit	1	49.73 LBS
6	MT-219xxxx	Clamp Bracket Assembly (SEE TABLE)	2	-
7	MT5xxxx	GALV PIPE (SEE TABLE)	2	-



DETAIL A
SCALE 1 : 4

COMMSCOPE, INC. OF NORTH CAROLINA			
TOLERANCES		SAP MATERIAL MASTER	
0 PLACE X ± .25	2 PLACE .XX ± .06	SF-DPM Series	
1 PLACE .X ± .12	ANGLES ± 2°		
FINISH		MATERIAL	
GALV A123		A1011/A1018, A500' A529	
UNLESS OTHERWISE SPECIFIED DIMENSIONS ARE IN MILLIMETERS INTERPRET PER ISO STANDARDS HANDBOOK TECHNICAL DRAWINGS VOLUMES 1 & 2, THIRD EDITION (2002)	NAME	DATE	TITLE
	CE	MSM	10/05/09
	RW		
	RV		
	AD		
RE	TP	10/05/09	
ECN	8000030766	SCALE	DOCUMENT NO.
		1:10	SF-DPM Series
SIZE	WORK AREA	MODEL	
C		VERSION	STATUS
		REVISION	VERSION
		STATUS	REVISION
			C
		SHEET	
		1 OF 2	

4

3

2

1

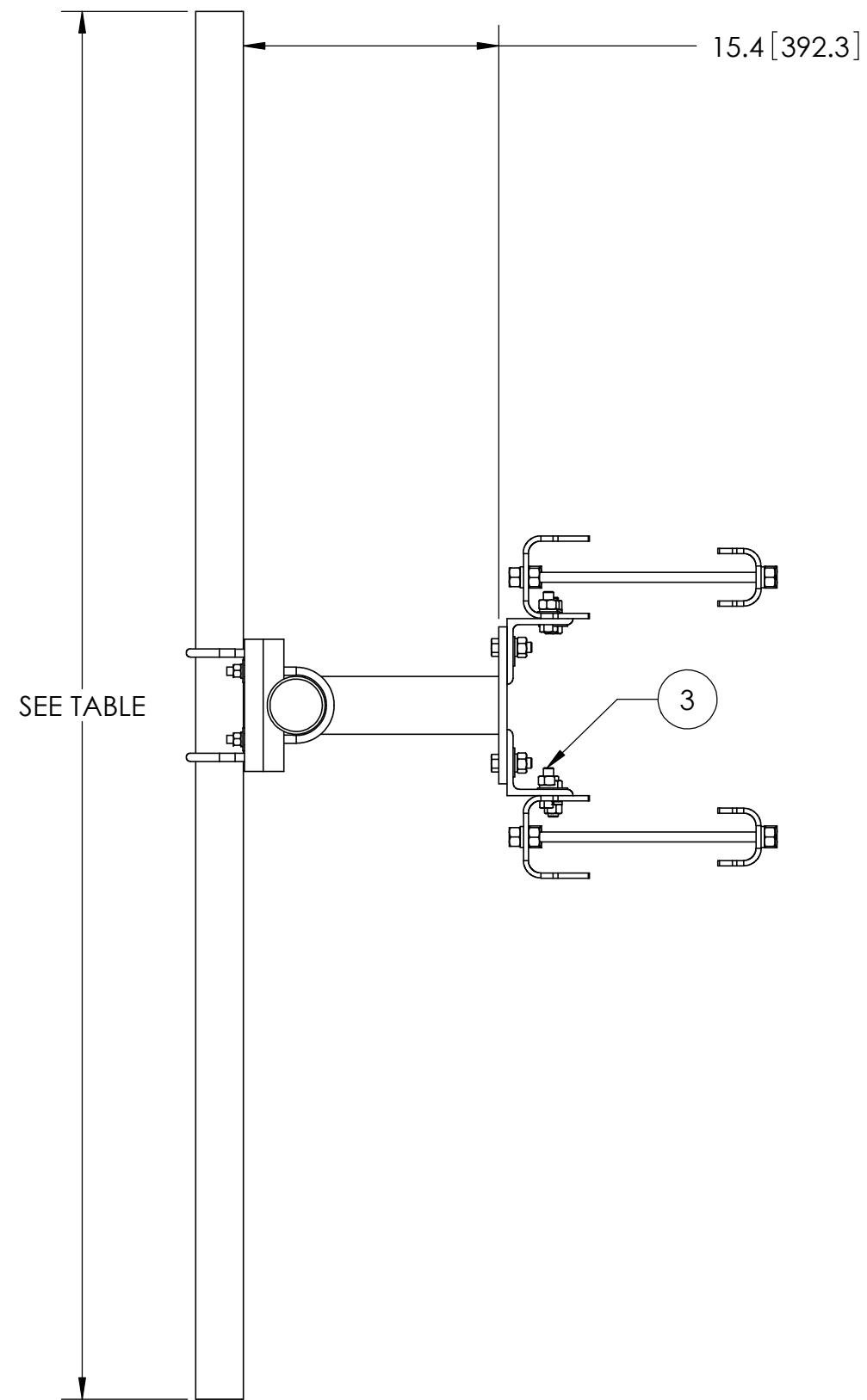
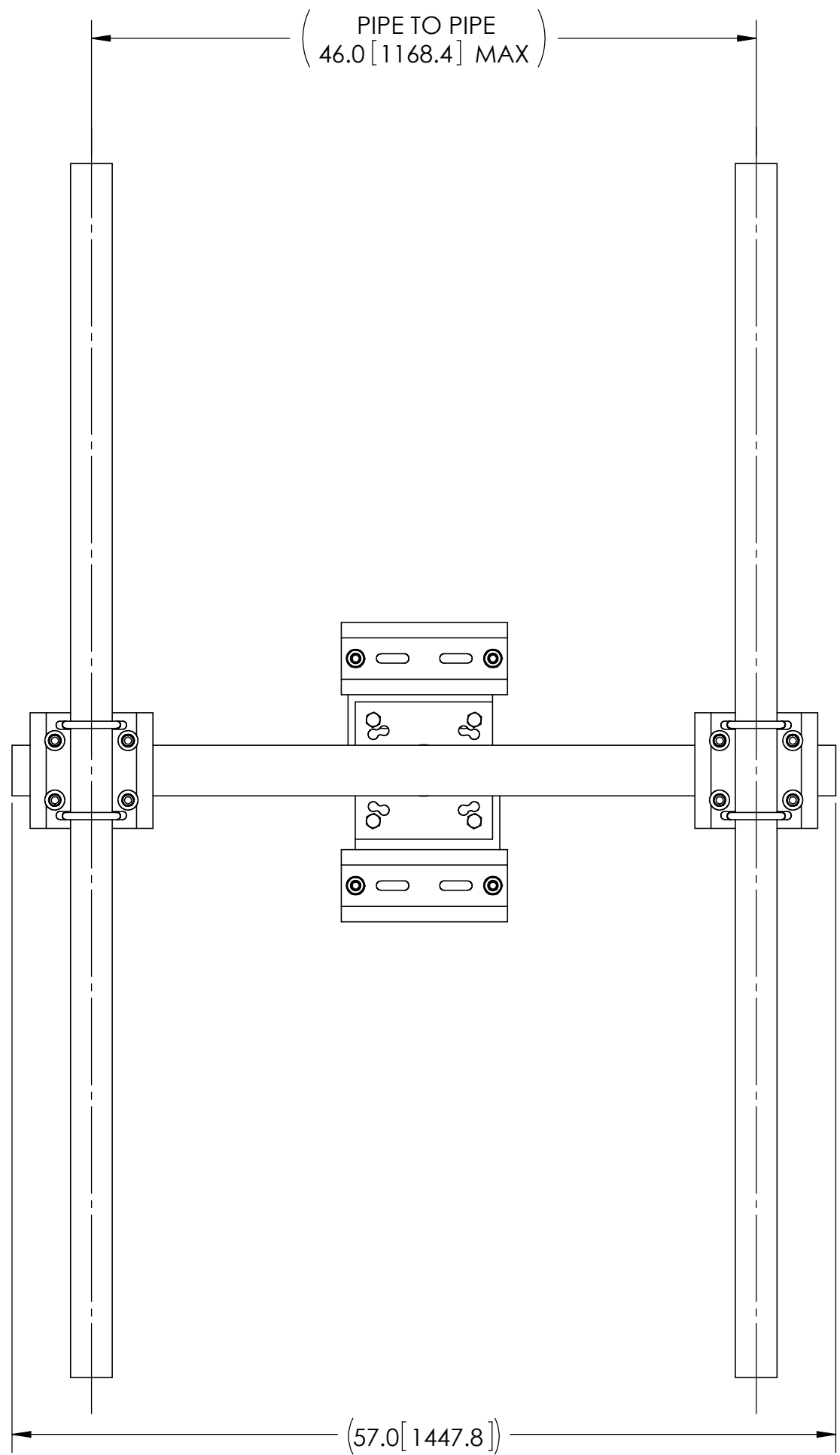
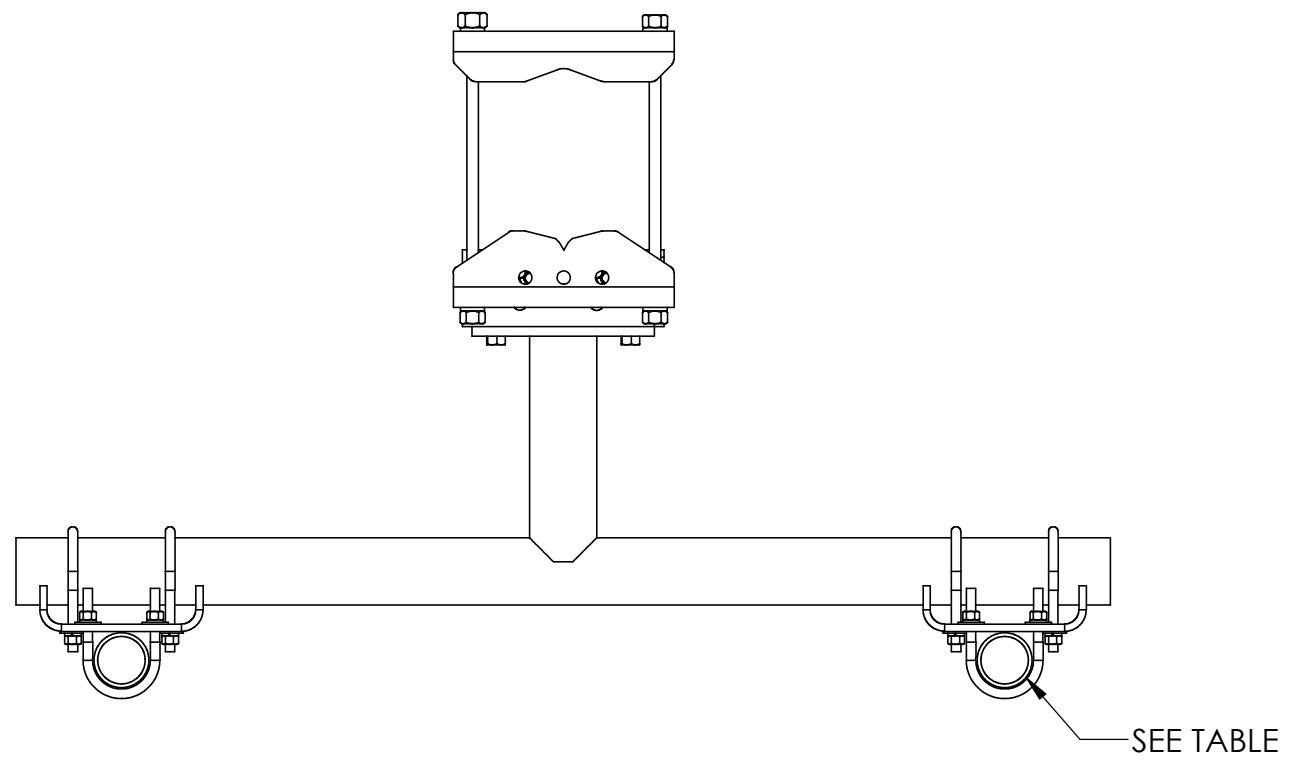
4

3

2

1

NOTES:
1.0 ALL METRIC DIMENSIONS ARE IN BRACKETS.



COMMSCOPE, INC. OF NORTH CAROLINA				
TITLE				
LATTICE TOWER DUAL PIPE MOUNT SERIES				
SIZE	SCALE	DOCUMENT NO.		
C	1:10	SF-DPM Series		
		DRAWING		SHEET
		VERSION	STATUS	REVISION
				C
				2 OF 2

© 2015 CommScope, Inc. Confidential

4

3

2

1