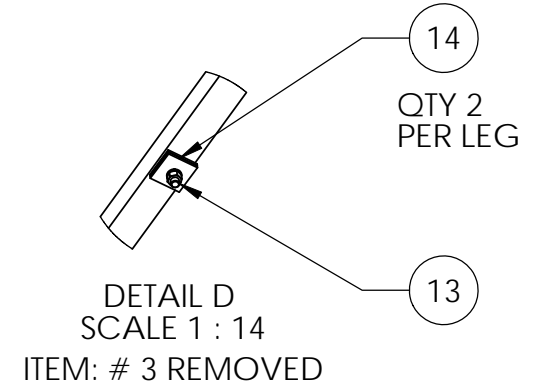
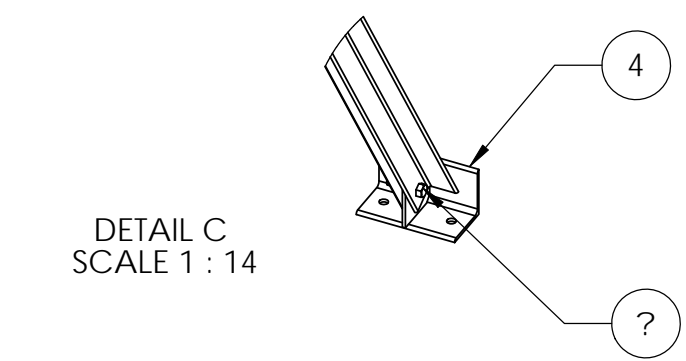
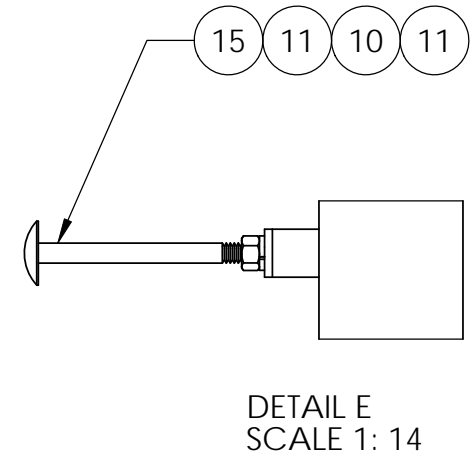
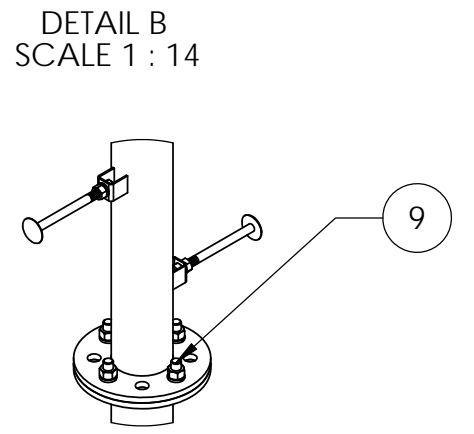
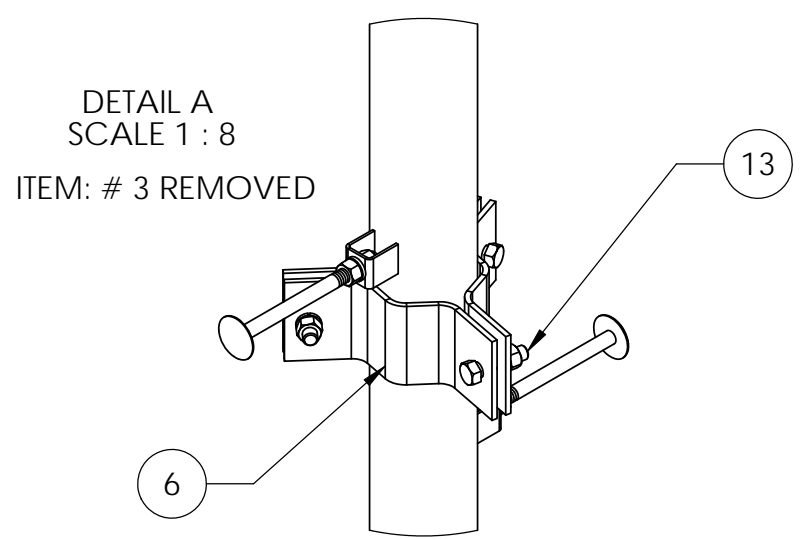
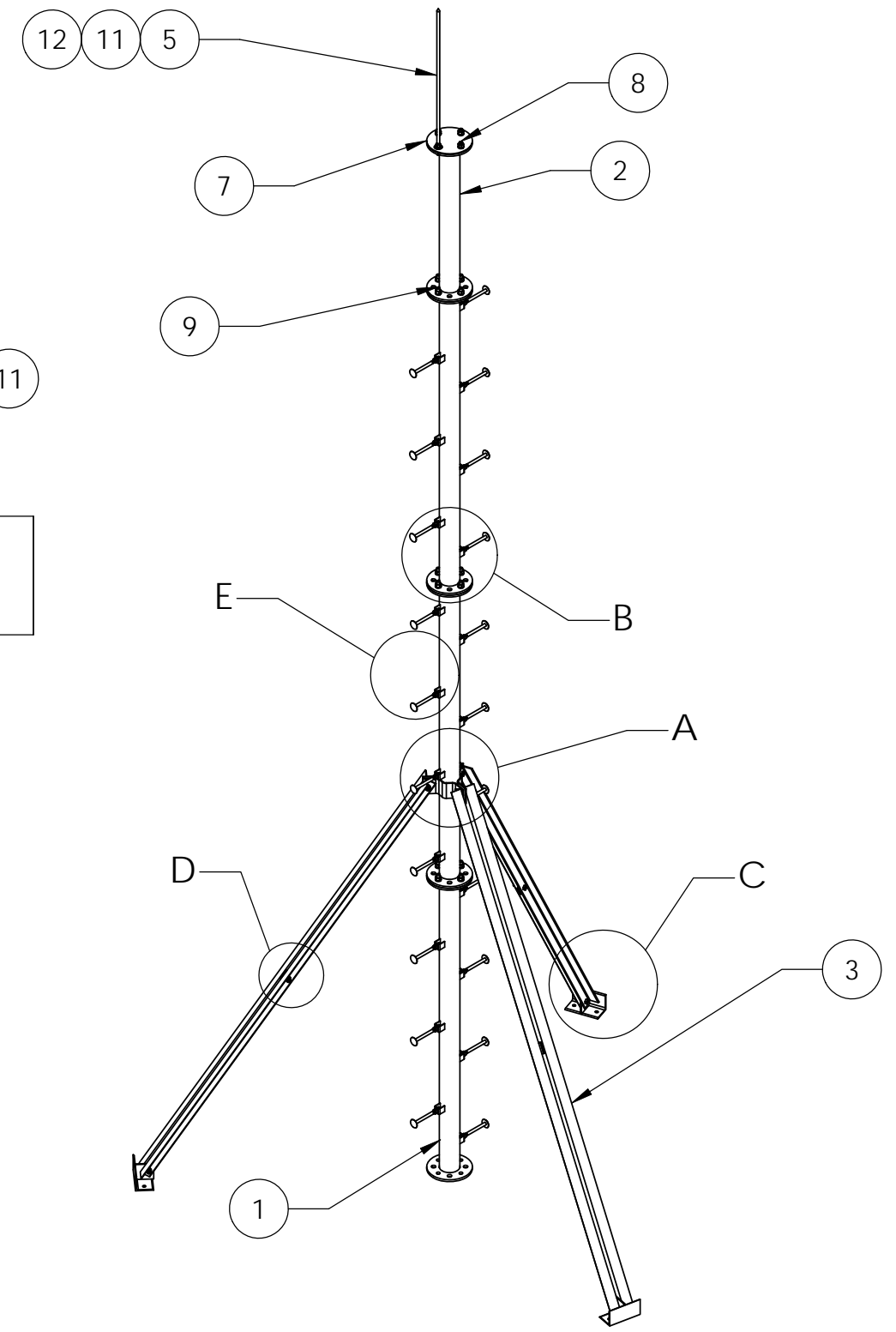


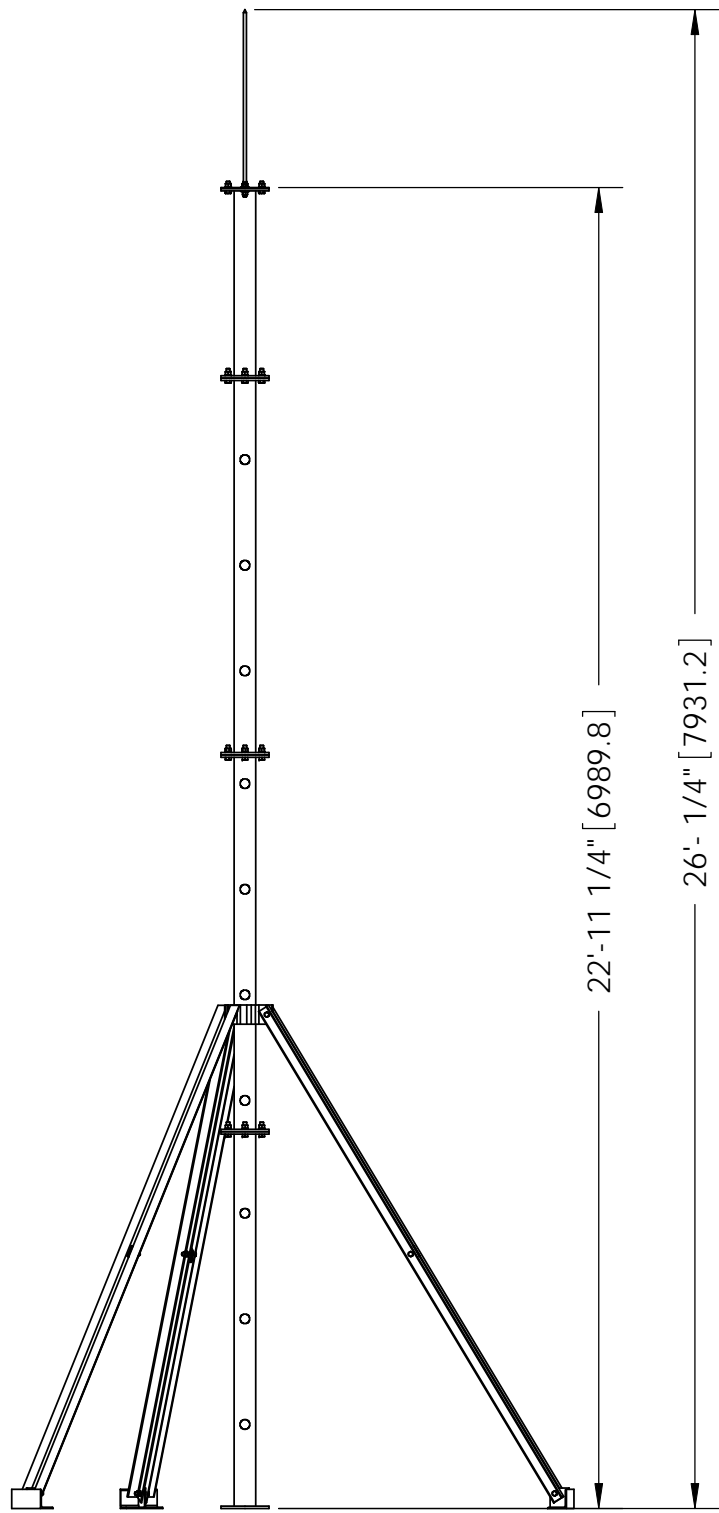
ITEM	PART NO.	DESCRIPTION	QTY.	WEIGHT
1	MTC9962B201	Pole Weldment 2M	3	87.33 LBS
2	MTC9962T101	Pole Weldment 1M T1	1	50.94 LBS
3	MTC996202	Angle Brace	6	30.20 LBS
4	MTC996203	Support Foot	3	5.42 LBS
5	MTC57501M01	1Meter LIGHTNING ROD	1	3.34 LBS
6	TPG412B.02	4-1/2" TRIPOD CLAMP	3	3.05 LBS
7	RT-MPT-C	Cap	1	4.04 LBS
8	GB-06205	3/4" X 2" GALV BOLT KIT	3	0.41 LBS
9	GB-06245	3/4" X 2-1/2" GALV BOLT KIT	12	0.48 LBS
10	GWL-05	5/8" GALV LOCK WASHER	22	0.00 LBS
11	GN-05	5/8" GALV HEX NUT	44	0.04 LBS
12	GWF-05	5/8" GALV FLAT WASHER	2	0.03 LBS
13	GB-05245	5/8" X 2-1/2" GALV BOLT KIT	9	0.31 LBS
14	SW-58	BACKING PLATE, .188" X 2.5" X 2.5" W/ 11/16" HOLE	6	0.31 LBS
15	MT75001	STEP BOLT	21	0.88 LBS

REVISIONS				
REV.	ZONE	DESCRIPTION	BY	DATE
A		INITIAL RELEASE	OGG	04/02/10
B		ADD SHEET 2 WITH PLAN VIEWS	MSM	03/07/13

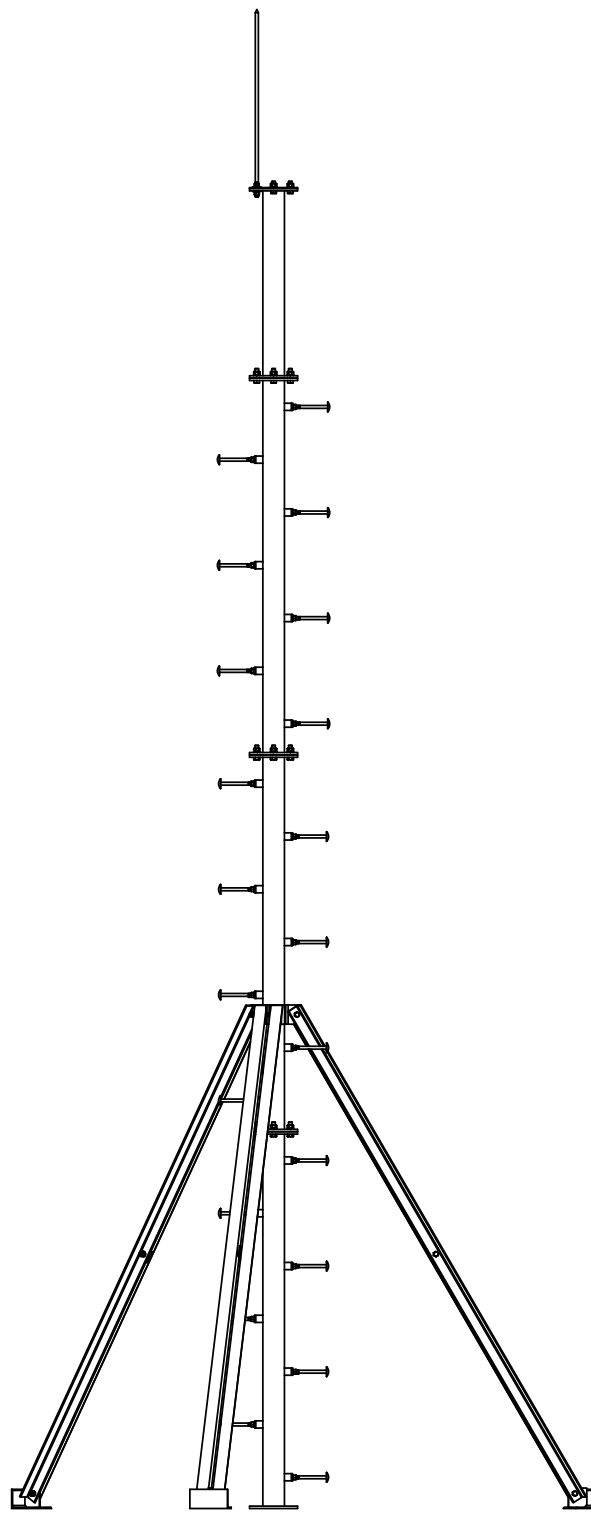


NOTES:  
1. ALL METRIC DIMENSIONS ARE IN BRACKETS.

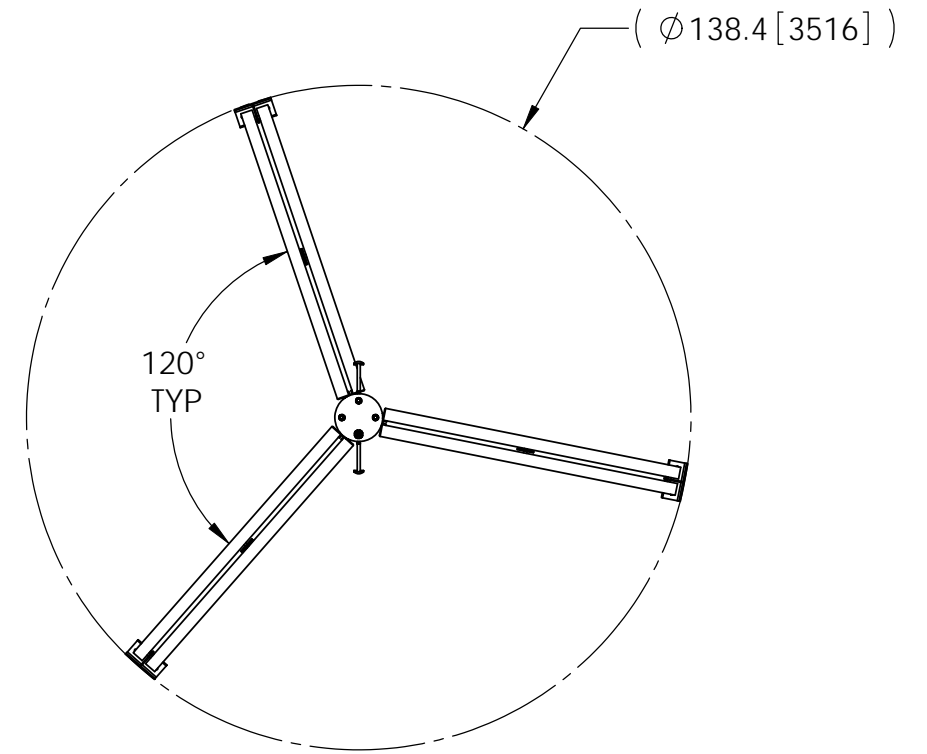
These drawings and specifications are the proprietary property of ANDREW CORPORATION and may be used only for the specific purpose authorized in writing by Andrew Corporation.  ALL DIMENSIONS ARE IN INCHES U.O.S. TOLERANCES UNLESS OTHERWISE SPECIFIED: .X = ± .12      ANGLES      ±2° .XX = ± .06      FRACTIONS      ±1/32 .XXX = ± .03  REMOVE BURRS AND BREAK EDGES .005  DO NOT SCALE THIS PRINT	DRAWN BY: OGG	SHEET: 1 of 2	PART NUMBER: RT-MPT-7
	CHECKED BY: TP	SCALE: NTS	DESCRIPTION:
	DATE: 04/02/10	MATERIAL: A53, A36, A529	DRAWING TYPE: ASSEMBLY DRAWING
	REVISION: <b>B</b>	FINISH: GALV A123	WEIGHT: 565.43 LBS



FRONT VIEW



RIGHT VIEW



TOP VIEW

<p>These drawings and specifications are the proprietary property of ANDREW CORPORATION and may be used only for the specific purpose authorized in writing by Andrew Corporation.</p> <p>ALL DIMENSIONS ARE IN INCHES U.O.S. TOLERANCES UNLESS OTHERWISE SPECIFIED:</p> <p>.X = ± .12      ANGLES      ±2° .XX = ± .06      FRACTIONS      ±1/32 .XXX = ± .03</p> <p>REMOVE BURRS AND BREAK EDGES .005</p> <p>DO NOT SCALE THIS PRINT</p>	DRAWN BY: OGG	SHEET: 2 of 2	PART NUMBER: RT-MPT-7
	CHECKED BY: TP	SCALE: NTS	DESCRIPTION:
	DATE: 04/02/10	MATERIAL: A53, A36, A529	DRAWING TYPE: ASSEMBLY DRAWING
	REVISION: <b>B</b>	FINISH: GALV A123	WEIGHT: 565.43 LBS