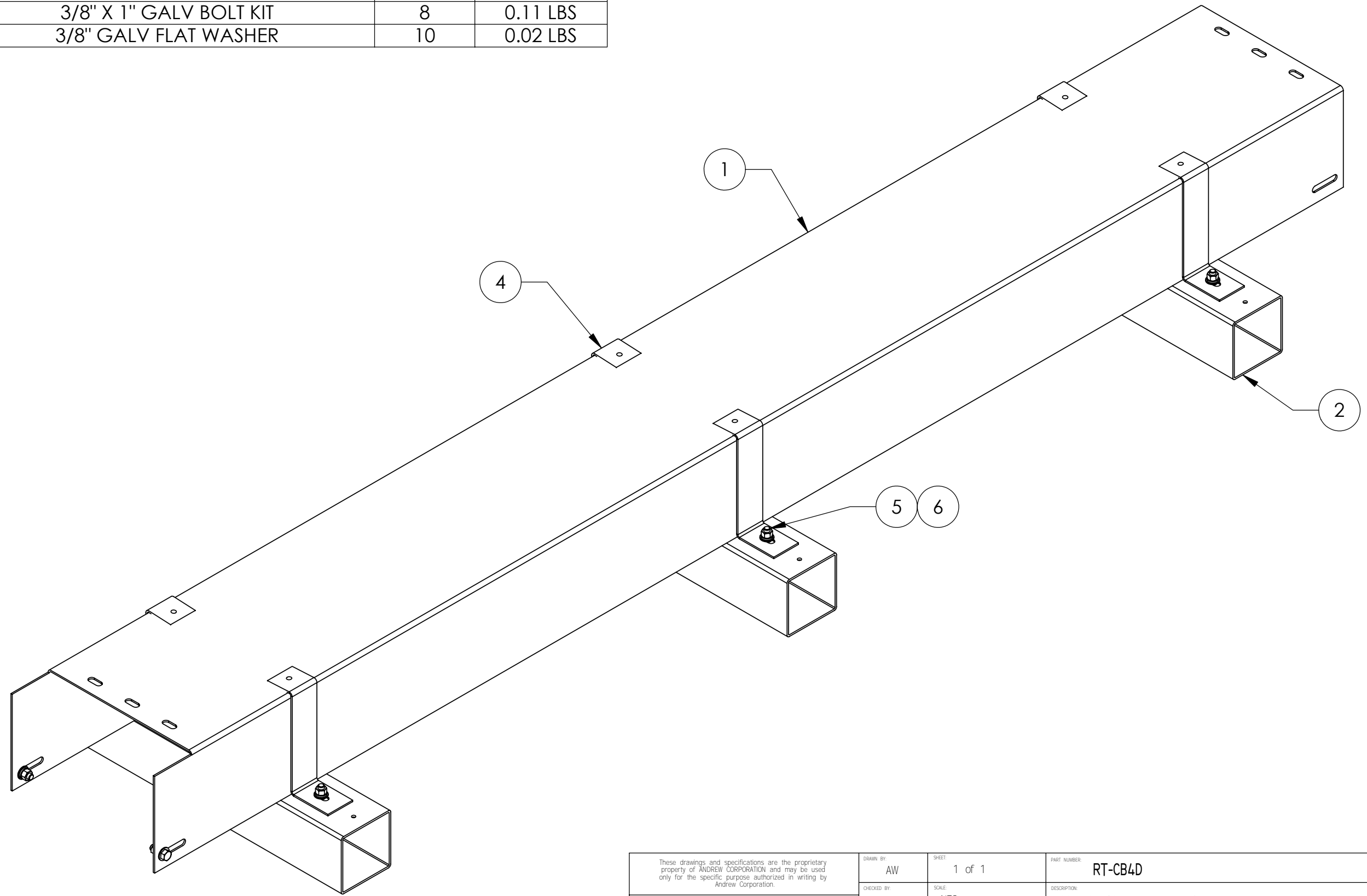


ITEM	PART NO.	DESCRIPTION	QTY.	WEIGHT
1	RTCB4D.01	COAX COVER (4 RUNS)	1	72.74 LBS
2	MT-F1598	PVC ROOF SLEEPER FOR 2 RUNS OF COAX	3	1.94 LBS
3	RTCUH	UNIVERSAL HARDWARE KIT (ITEMS 4-6)	1	
4	RTHC.01	ROOF TOP COVER CLIP	6	0.71 LBS
5	GB-03105	3/8" X 1" GALV BOLT KIT	8	0.11 LBS
6	GWF-03	3/8" GALV FLAT WASHER	10	0.02 LBS


REVISIONS				
REV.	ZONE	DESCRIPTION	BY	DATE
A		INITIAL RELEASE	AW	02/07/05
B		UPDATE HARDWARE KIT	ACG	04/06/05
C		ADDED HOLE TO ITEM 4	ACG	03/06/06



NOTES:

1.  $\varnothing 5/16$ " HOLE INCLUDED IN ITEM 4 FOR OPTIONAL (NOT INCLUDED) 1/4" SELF- DRILLING SCREW.

<small>These drawings and specifications are the proprietary property of ANDREW CORPORATION and may be used only for the specific purpose authorized in writing by Andrew Corporation.</small> ALL DIMENSIONS ARE IN INCHES U.O.S. TOLERANCES UNLESS OTHERWISE SPECIFIED: .X = ± .06      ANGLES      ±2° .XX = ± .03      FRACTIONS      ±1/32 .XXX = ± .010 REMOVE BURRS AND BREAK EDGES .005 DO NOT SCALE THIS PRINT	DRAWN BY: <b>AW</b>	SHEET: 1 of 1	PART NUMBER: <b>RT-CB4D</b>
	CHECKED BY: <b>TP</b>	SCALE: NTS	DESCRIPTION: <b>ROOF TOP COVER KIT 4 RUNS</b>
	DATE: 02/07/05	MATERIAL: A568	DRAWING TYPE: ASSEMBLY DRAWING
	REVISION: <b>C</b>	FINISH: GALV A123	WEIGHT: 83.50 LBS


**ANDREW**®  
 ORLAND PARK, IL. 60462 U.S.A.