

4

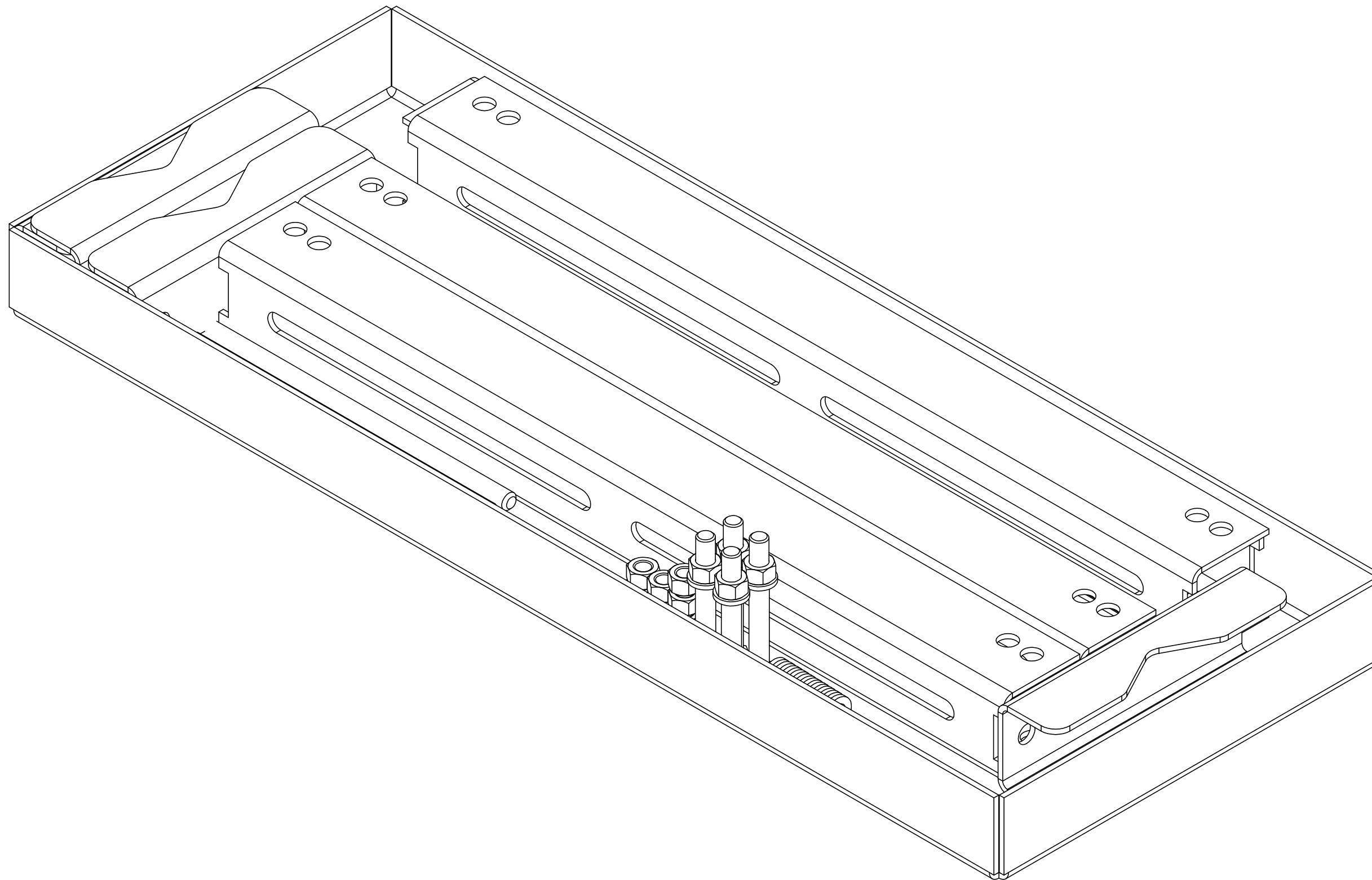
3

2

1

- NOTES:
1. PLACE LOOSE HARDWARE IN POLYBAGS.
  2. CUSTOMER ASSEMBLY DRAWING SHEET 2.
  3. IN USE DRAWING SHEET 3.

REVISIONS				
REV.	ECN	DESCRIPTION	BY	DATE
A	8000026927	INITIAL RELEASE	RJC	11/01/17



ITEM	PART NO.	DESCRIPTION	QTY.	WEIGHT	NOTE NO.
1	MTC332659	WELDMENT, RRU MOUNT, LP, LD	2	4.49 LBS	
2	MTC332661	CLAMP, RRU MOUNT, LP, LD BACK	2	0.90 LBS	
3	MTC332662	CHANNEL, RRU MOUNT, LP, LD	2	3.60 LBS	
4	GD03800	3/8" X 8" GALV THREADED ROD	4	0.25 LBS	
5	RRB2BLPHB2	HB FOR RRB2B-LP-LD	1	0.89 LBS	
6	BX59	BOX KRAFT: EP-575,1448,1635,551 (EA)	1	0.28 LBS	

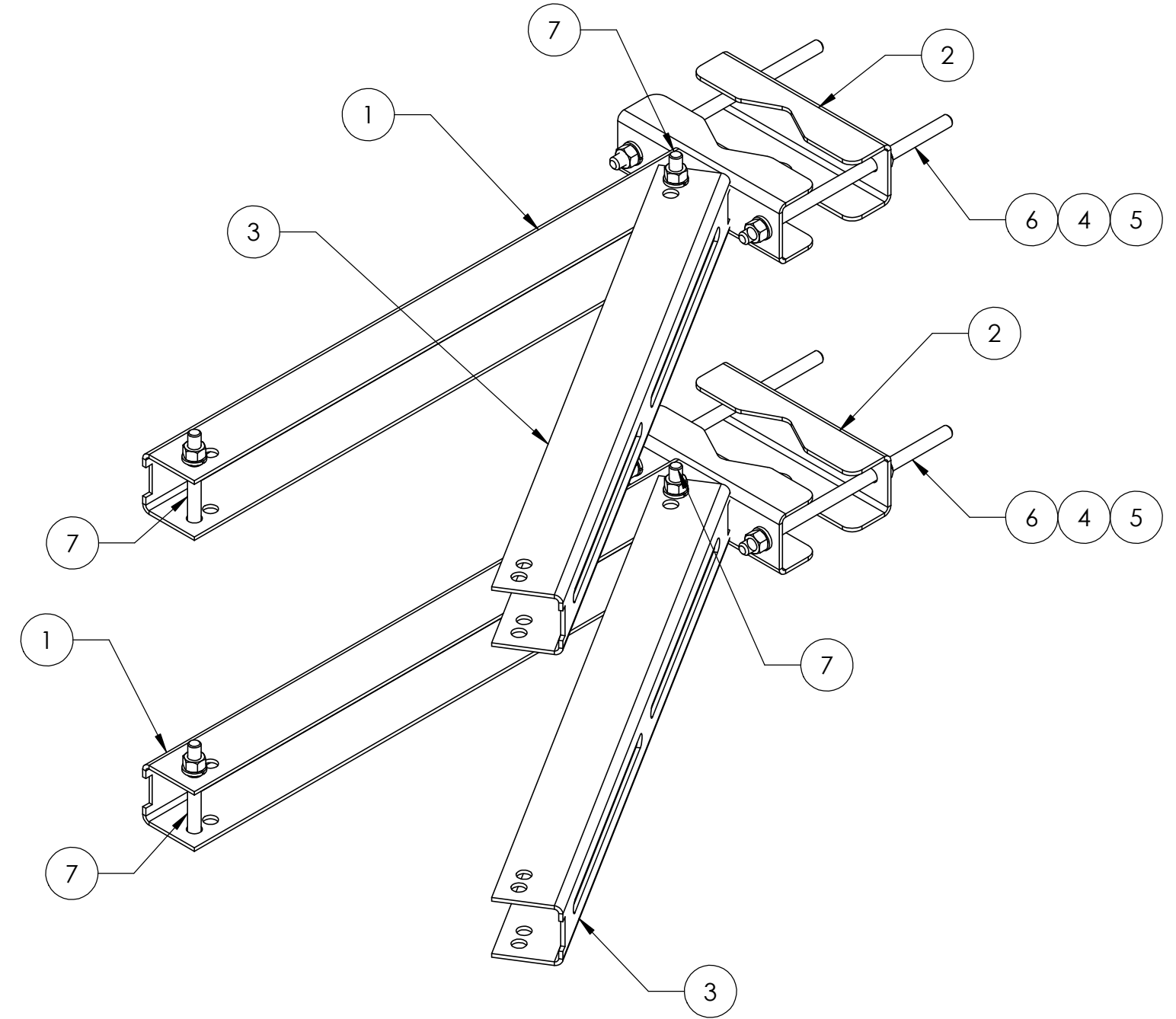
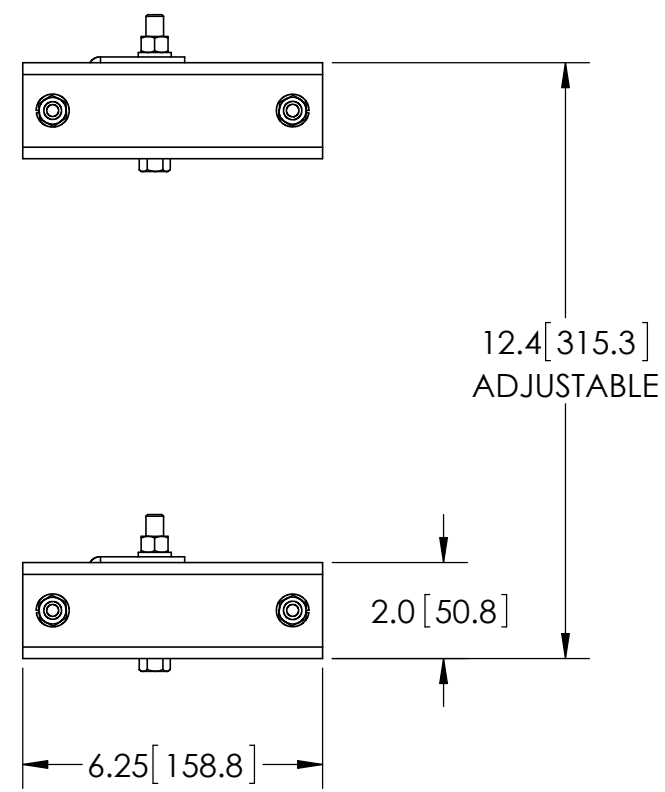
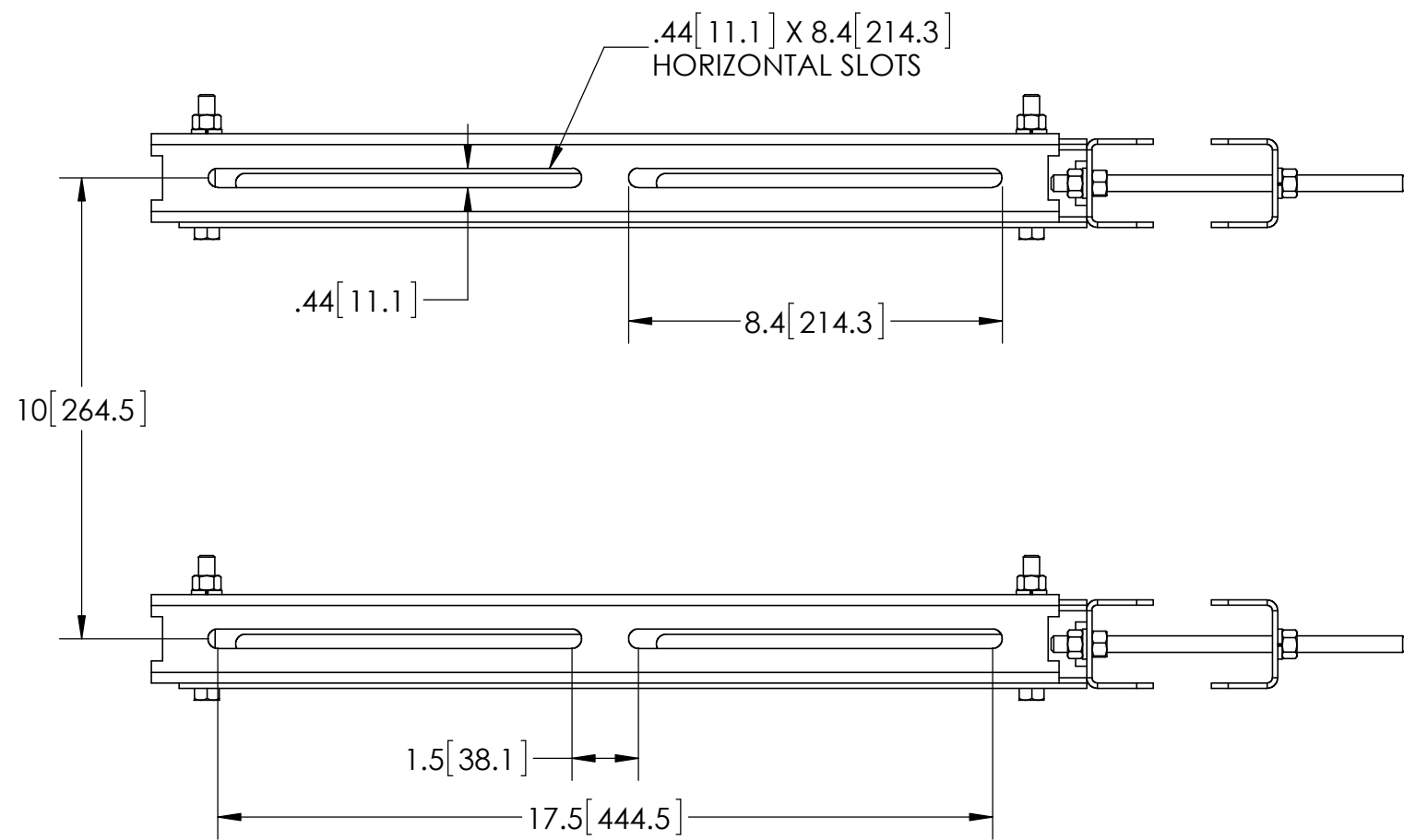
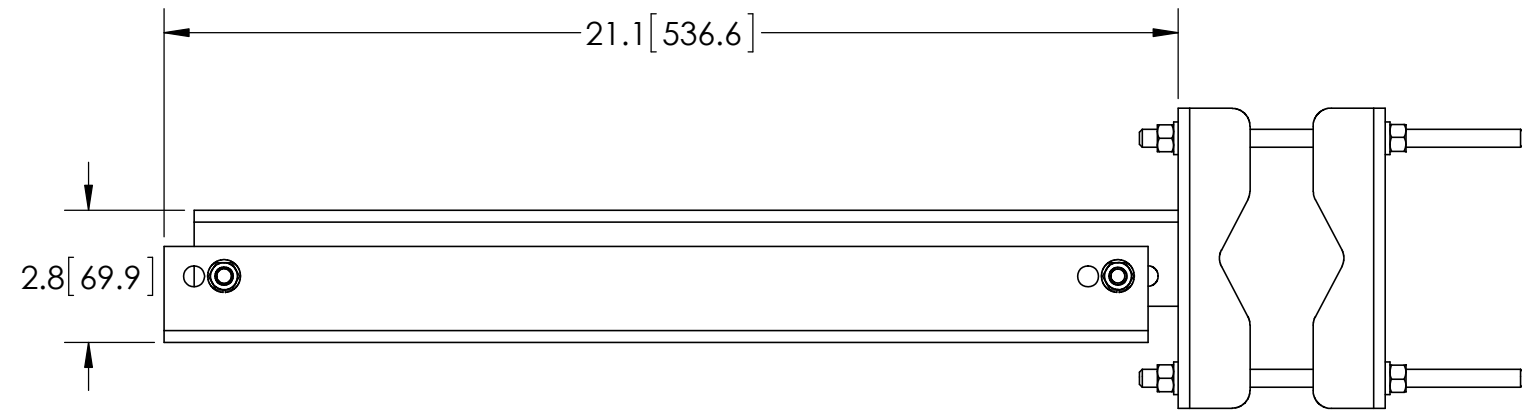
DENSITY		lbs/in <sup>3</sup>
MASS	20.14	lbs
VOLUME		in <sup>3</sup>
SURFACE AREA		in <sup>2</sup>
HEIGHT		
LENGTH		
WIDTH		

**COMMSCOPE, INC. OF NORTH CAROLINA**

TOLERANCES		SAP MATERIAL MASTER	
0 PLACE X ± .25	2 PLACE .XX ± .06	<b>RR-B2B-LP-LD</b>	
1 PLACE .X ± .12	ANGLES ± 2°		
FINISH		MATERIAL	
GALV A123		A1011/A1018	
UNLESS OTHERWISE SPECIFIED DIMENSIONS ARE IN MILLIMETERS INTERPRET PER ISO STANDARDS HANDBOOK TECHNICAL DRAWINGS VOLUMES 1 & 2, THIRD EDITION (2002)		NAME	DATE
		CE RDLS	10/11/17
		RW	
		RV	
AD		<b>BACK-TO-BACK RRU MOUNT, LP, LD</b>	
RE TP	10/11/17		
ECN	8000026927	SCALE	DOCUMENT NO.
		<b>1:2</b>	<b>RR-B2B-LP-LD</b>
SIZE	WORK AREA	MODEL	
<b>C</b>		DRAWING	
VERSION	STATUS	REVISION	REVISION
			A
			SHEET
			1 OF 3

NOTES:

1. ALL METRIC DIMENSIONS ARE IN BRACKETS.
2. MOUNTS TO PIPES 2-3/8" - 4-1/2" OD.



ITEM	PART NO.	DESCRIPTION	No Pipe/QTY.	WEIGHT	NOTE NO.
1	MTC332659	WELDMENT, RRU MOUNT, LP, LD	2	4.49 LBS	
2	MTC332661	CLAMP, RRU MOUNT, LP, LD BACK	2	0.90 LBS	
3	MTC332662	CHANNEL, RRU MOUNT, LP, LD	2	3.60 LBS	
4	GWL-03	3/8" GALV LOCK WASHER	8	0.01 LBS	
5	GN-03	3/8" GALV HEX NUT	12	0.02 LBS	
6	GD03800	3/8" X 8" GALV THREADED ROD	4	0.25 LBS	
7	GB-03305	3/8" X 3" GALV BOLT KIT	4	0.11 LBS	

COMMSCOPE, INC. OF NORTH CAROLINA

TITLE  
**BACK TO BACK RRU MOUNT, LP, LD**

SIZE **C** SCALE **1:4** DOCUMENT NO. **RR-B2B-LP-LD**

DRAWING			SHEET 2 OF 3
VERSION	STATUS	REVISION	
		A	

4

3

2

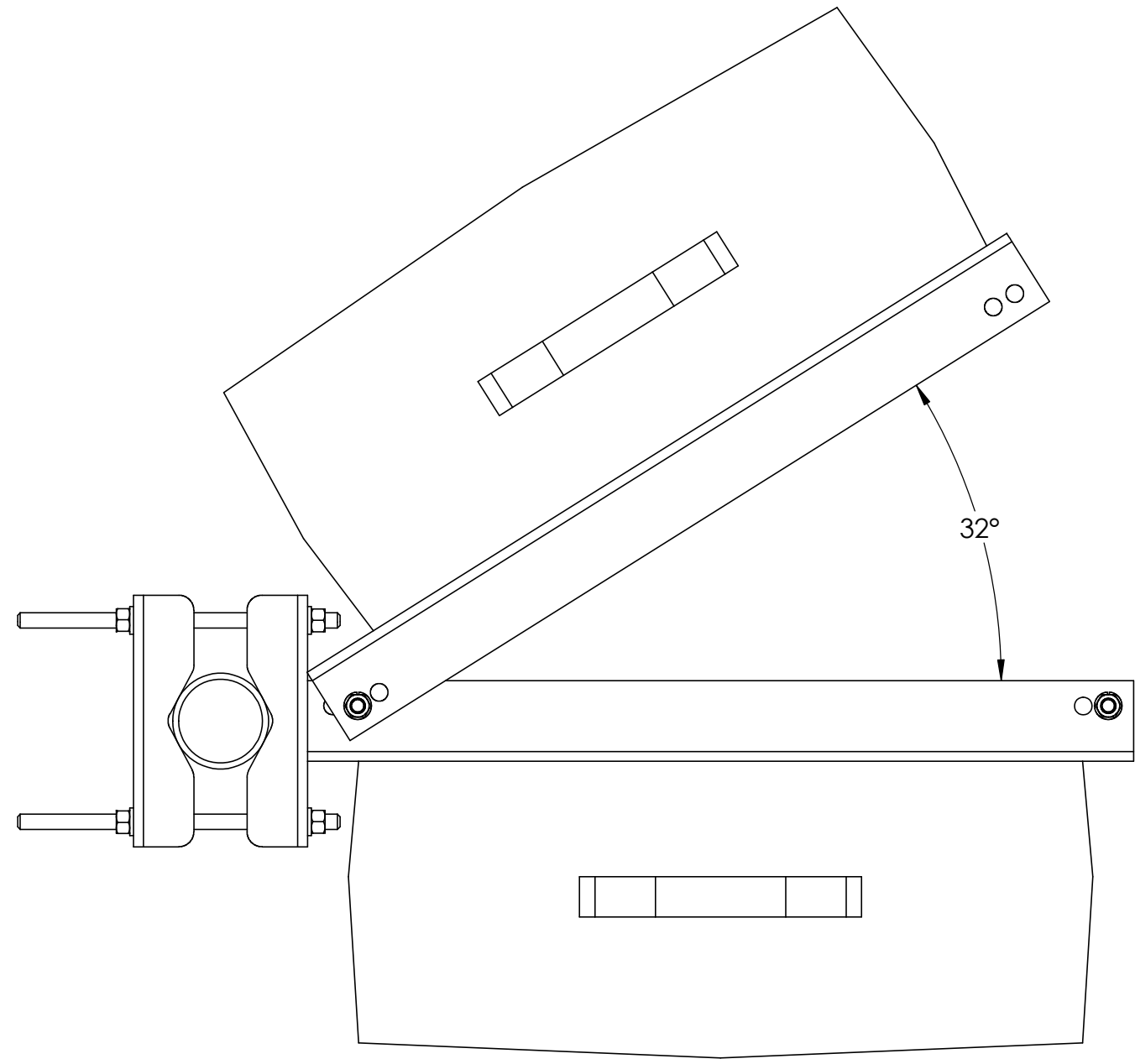
1

NOTES:

SHOWN WITH 2-3/8" OD PIPE AND RRUS 12 RADIOS  
ORDER PIPE AND RADIOS SEPERATELY.

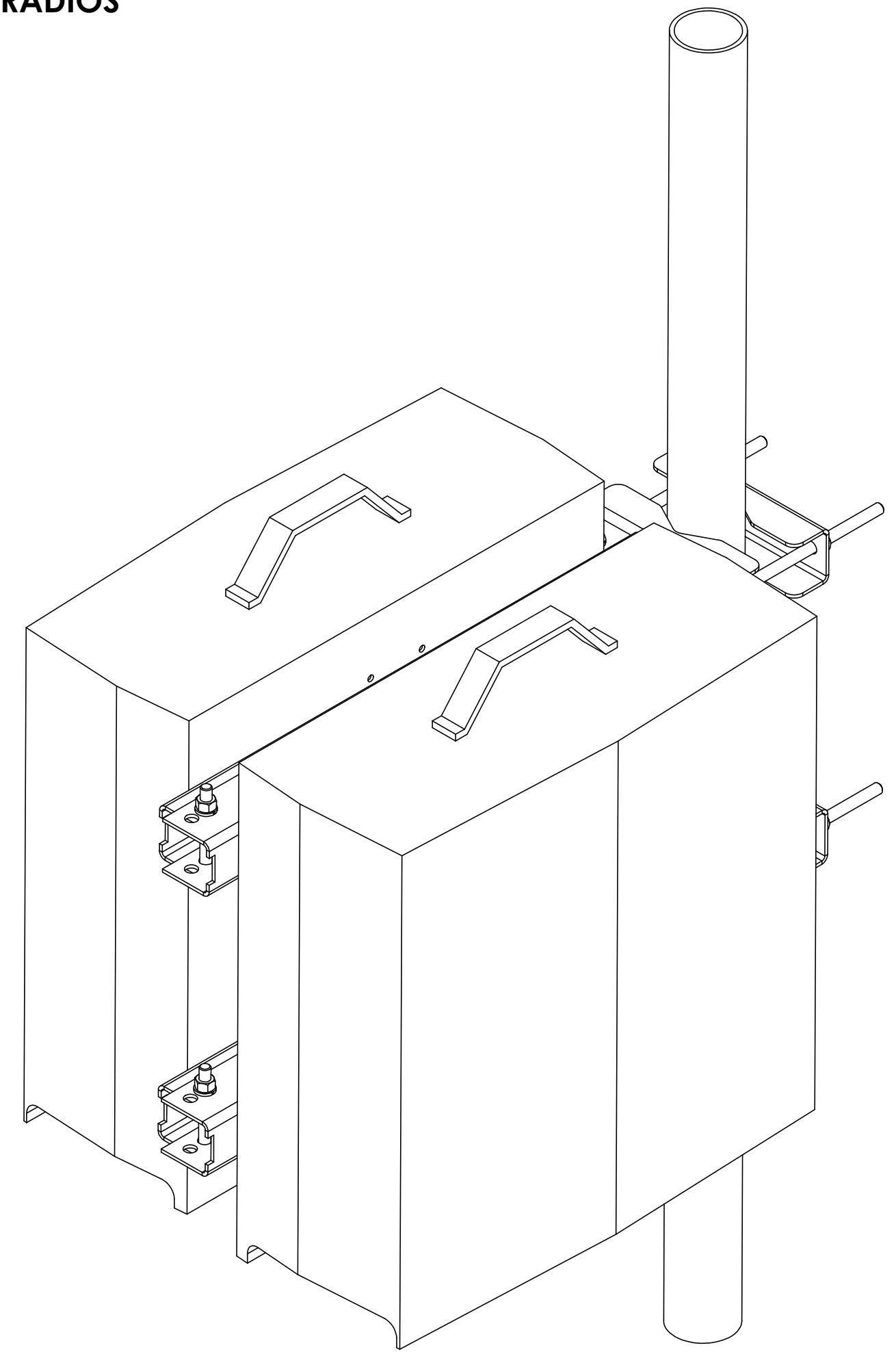
D

D



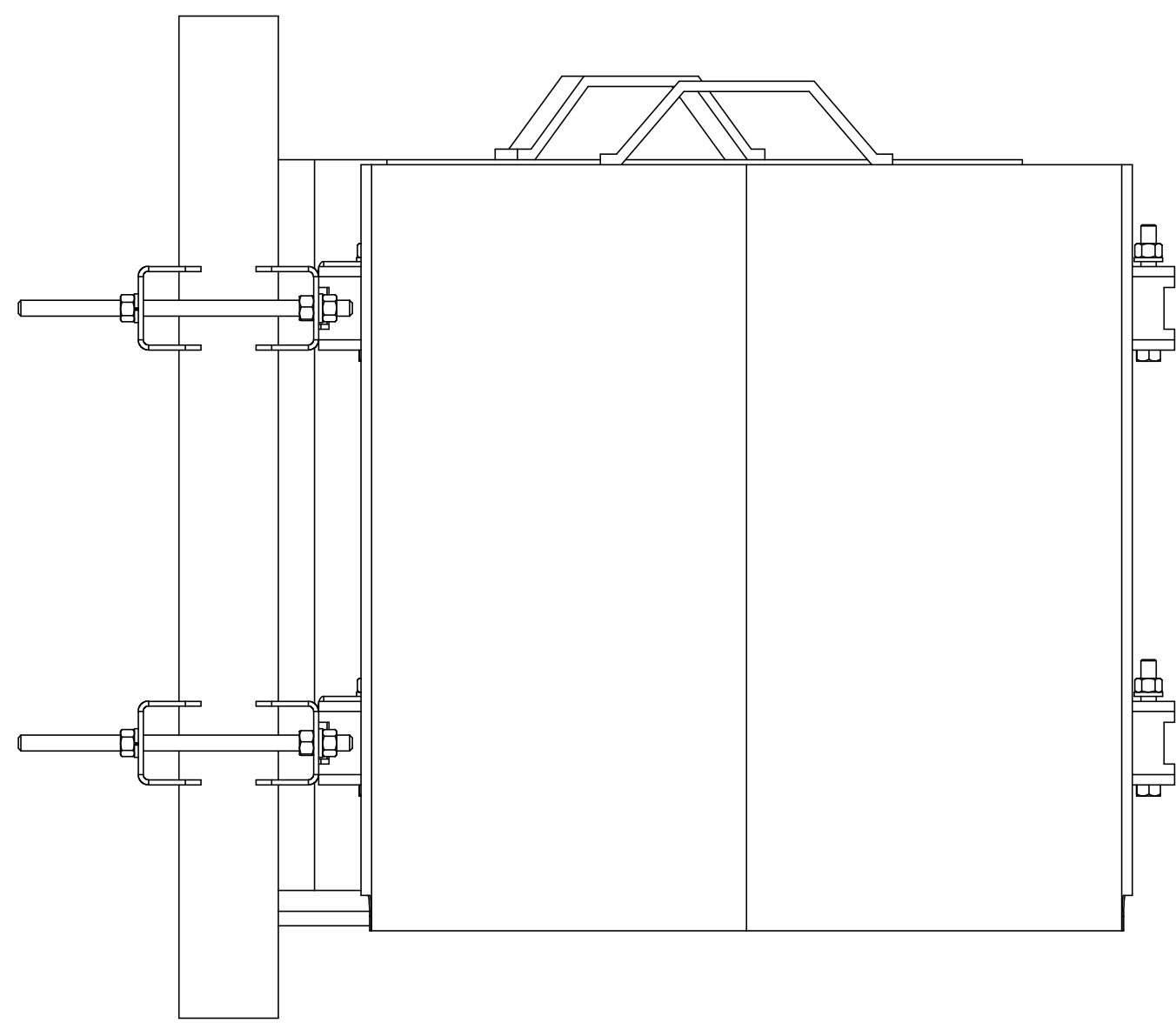
C

C



B

B



A

A

4

3

2

1

COMMSCOPE, INC. OF NORTH CAROLINA				
TITLE				
<b>BACK TO BACK RRU MOUNT, LP, LD</b>				
SIZE	SCALE	DOCUMENT NO.		
<b>C</b>	<b>1:4</b>	<b>RR-B2B-LP-LD</b>		
		DRAWING		SHEET
		VERSION	STATUS	REVISION
				A
				3 OF 3

© 2015 CommScope, Inc. Confidential

