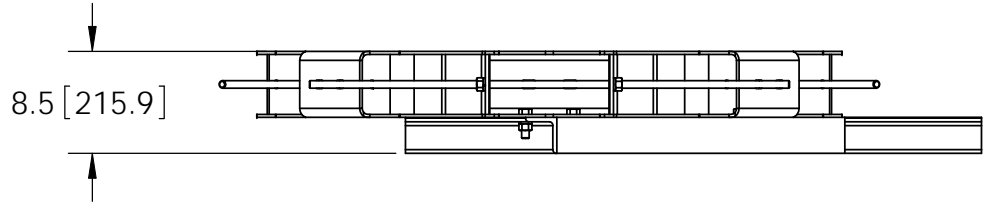
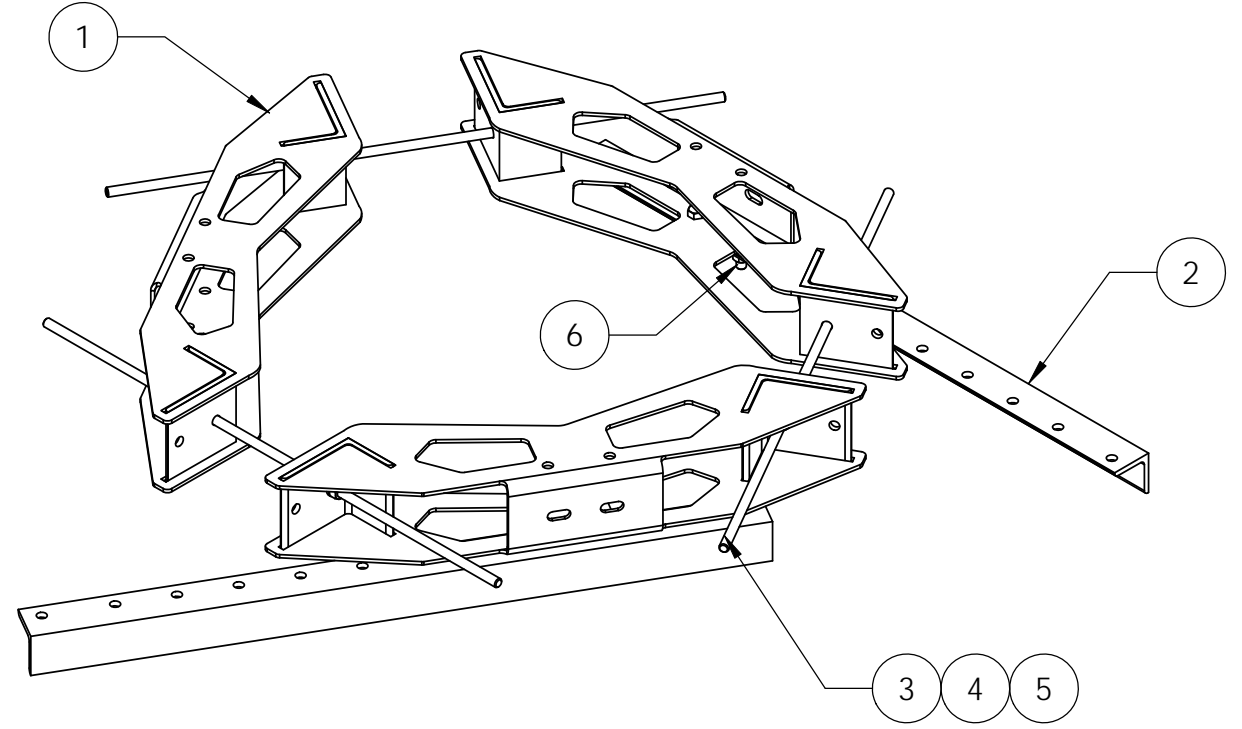
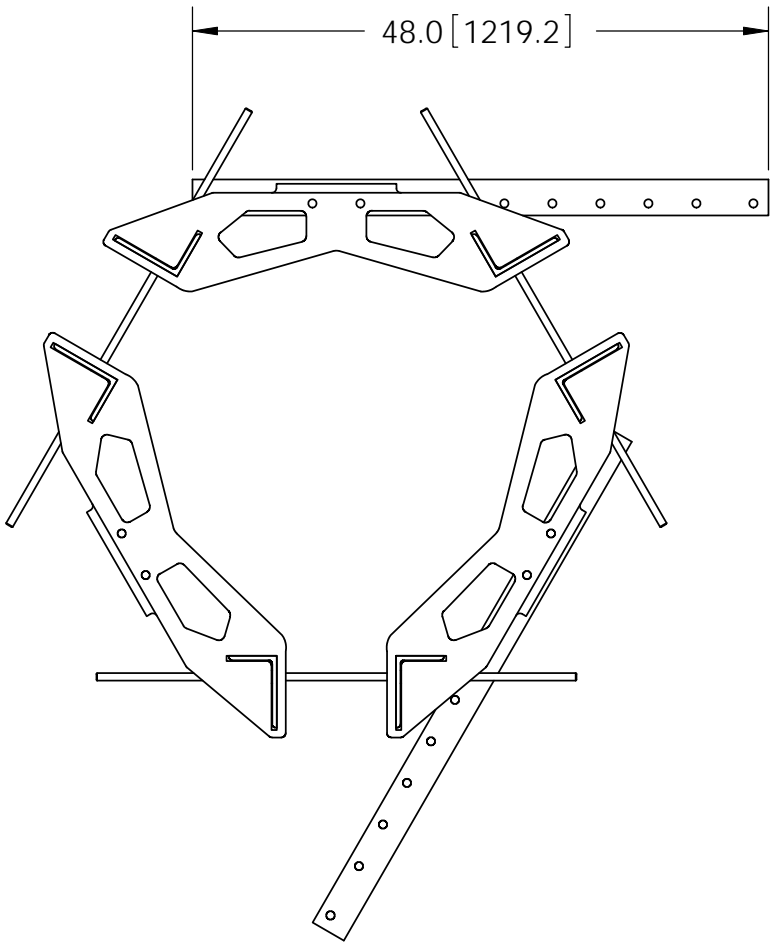


ITEM	PART NO.	DESCRIPTION	QTY.	WEIGHT
1	RMSSL01	30-60 Tieback Ringmount Weldment	3	38.91 LBS
2	RMSS01	RM-SS Tieback Angle	2	27.78 LBS
3	MT38240	5/8" X 40" GALV THREADED ROD	3	3.46 LBS
4	GWL-05	5/8" GALV LOCK WASHER	6	0.00 LBS
5	GN-05	5/8" GALV HEX NUT	6	0.04 LBS
6	GB-0520A	5/8" X 2" GALV BOLT KIT (A325)	4	0.27 LBS

REVISIONS				
REV.	ZONE	DESCRIPTION	BY	DATE
A		INITIAL RELEASE	MSM	10/23/12



- NOTES:
1. ALL METRIC DIMENSIONS ARE IN BRACKETS.
 2. FITS MONOPOLES 30"-60".
 3. FIELD CUT ALL-THREAD AS NEEDED.

<p>These drawings and specifications are the proprietary property of CommScope Inc. and may be used only for the specific purpose authorized in writing by CommScope Inc.</p> <p>ALL DIMENSIONS ARE IN INCHES U.O.S. TOLERANCES UNLESS OTHERWISE SPECIFIED: .X = ± .12 ANGLES ±2° .XX = ± .06 FRACTIONS ±1/32 .XXX = ± .03</p> <p>REMOVE BURRS AND BREAK EDGES .005</p> <p>DO NOT SCALE THIS PRINT</p>	DRAWN BY: MSM	SHEET: 1 of 1	PART NUMBER: RM-SS-L2
	CHECKED BY: TP	SCALE: NTS	DESCRIPTION: 30-60 RM-SS Double TieBack
	DATE: 10/23/12	MATERIAL: A36, A529	DRAWING TYPE: ASSEMBLY DRAWING
	REVISION: A	FINISH: GALV A123	<p>Hickory, NC 28602 U.S.A.</p>
WEIGHT: 195.83 LBS			