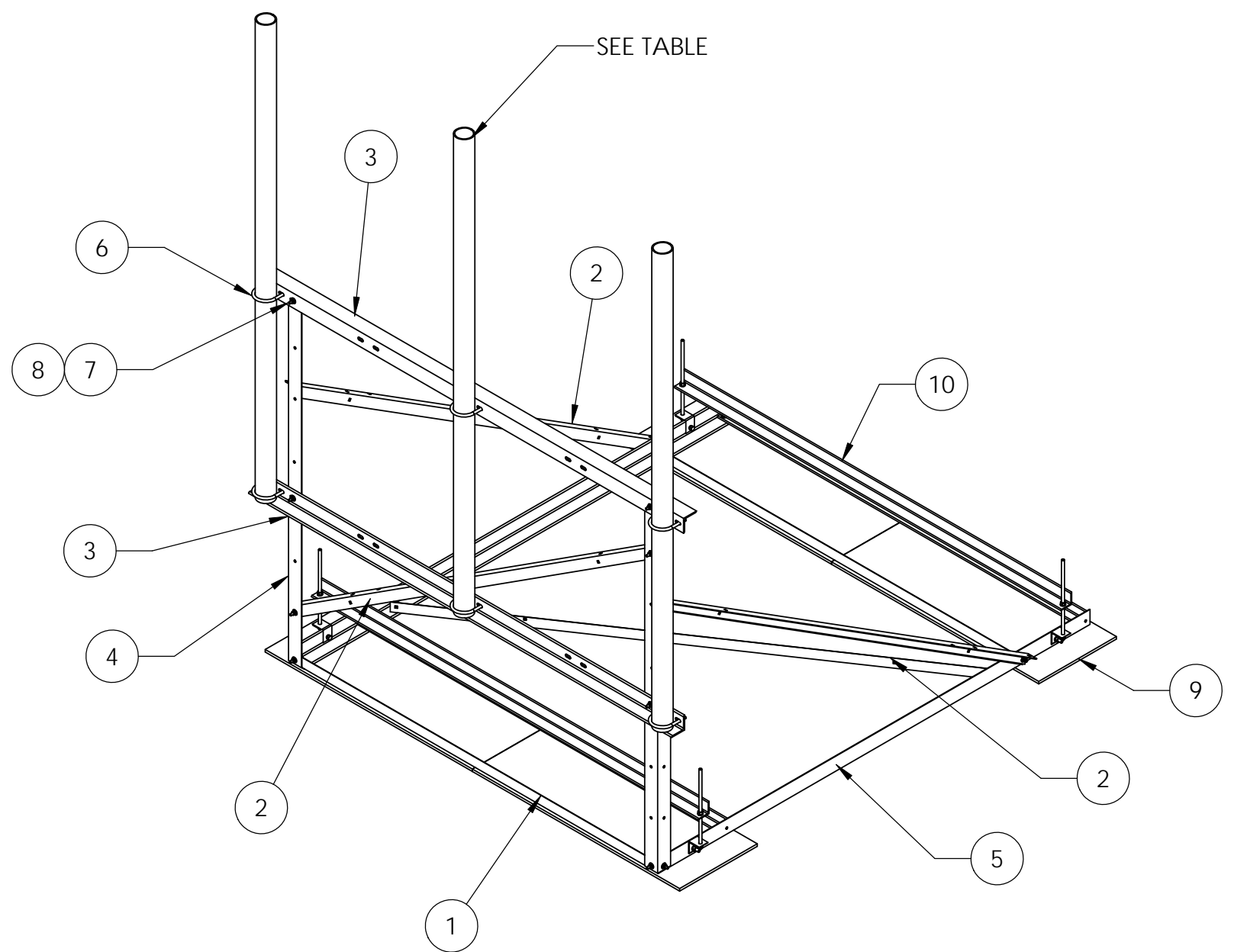
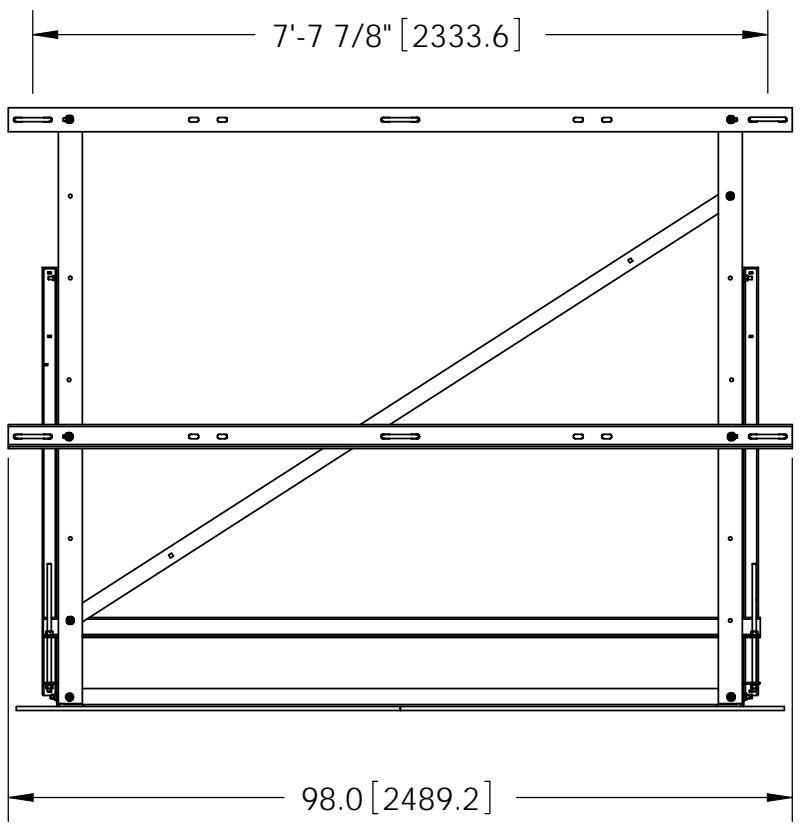



ITEM	PART NO.	DESCRIPTION	QTY.	WEIGHT
1	RFNB02	NON-PEN. ROOF MOUNT BASE ANGLE 2	4	16.70 LBS
2	RFNB03	NON-PEN. ROOF MOUNT BASE ANGLE 3	4	19.84 LBS
3	MTC997804	NON-PEN. ROOF MOUNT 7' FACE ANGLE	2	38.82 LBS
4	MTC997805	NON-PEN. ROOF MOUNT BASE ANGLE 1	2	29.45 LBS
5	MTC997807	NON-PEN. ROOF MOUNT BASE ANGLE 7	2	40.03 LBS
6	GUB-4355	1/2" X 3-5/8" X 5" GALV U-BOLT	6	1.44 LBS
7	GB-03145	3/8" X 1-1/2" GALV BOLT KIT	24	0.07 LBS
8	GWF-03	3/8" GALV FLAT WASHER	24	0.01 LBS
9	MT-F1637	RUBBER MAT .5" X 18" X 48"	4	15.61 LBS
10	RF-TDK	Roof Top Tie Down Kit	2	25.93 lbs

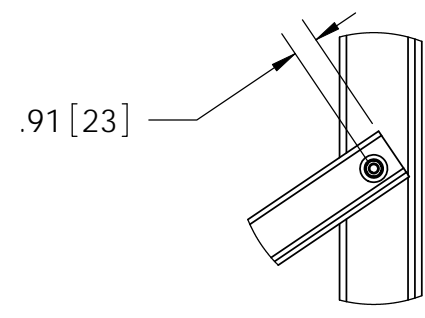
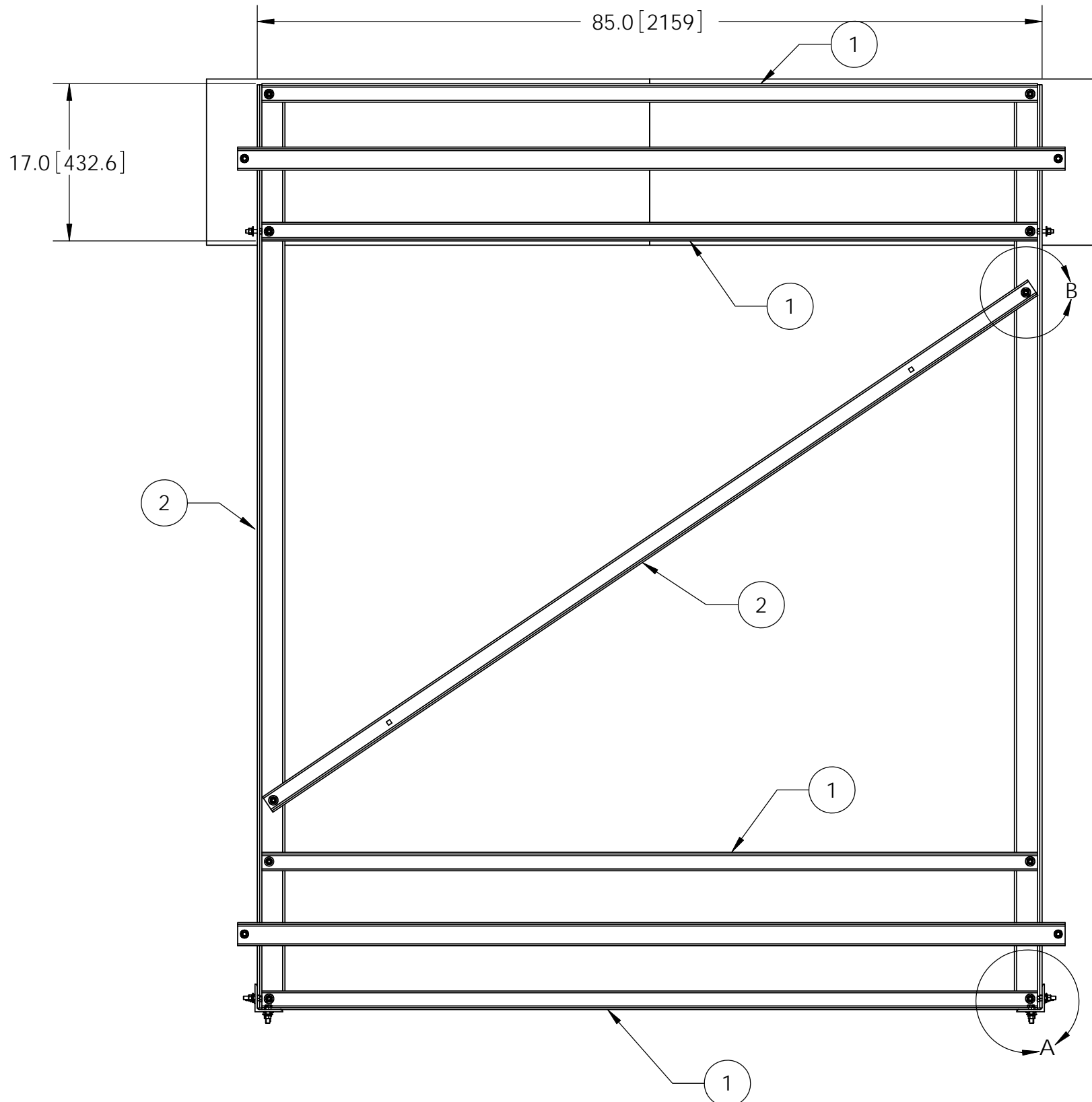
REVISIONS				
REV.	ZONE	DESCRIPTION	BY	DATE
A		INITIAL RELEASE	MSM	01/05/12
B		ADD RF-TDK & 2EA RFNB03 TO BOM	MSM	02/03/12

PART NO.	DESCRIPTION	MT54772	MT54796	WEIGHT
RF-NL7-B	7' NON-PENETRATING ROOF FRAME 3.5, BASE	-	-	478.31 LBS
RF-NL7-2-72	7' NON-PENETRATING ROOF FRAME 3.5 2-72	2	-	566.95 LBS
RF-NL7-3-72	7' NON-PENETRATING ROOF FRAME 3.5, 3-72	3	-	613.95 LBS
RF-NL7-2-96	7' NON-PENETRATING ROOF FRAME 3.5, 2-96	-	2	597.09 LBS
RF-NL7-3-96	7' NON-PENETRATING ROOF FRAME 3.5, 3-96	-	3	659.16 LBS

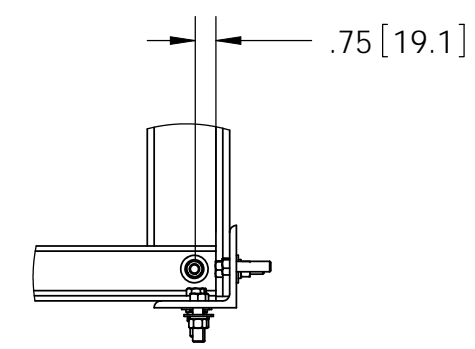


NOTES:
1. ALL METRIC DIMENSIONS ARE IN BRACKETS.

<small>These drawings and specifications are the proprietary property of ANDREW CORPORATION and may be used only for the specific purpose authorized in writing by Andrew Corporation.</small> ALL DIMENSIONS ARE IN INCHES U.O.S. TOLERANCES UNLESS OTHERWISE SPECIFIED: .X = ± .12 ANGLES ±2° .XX = ± .06 FRACTIONS ±1/32 .XXX = ± .03 REMOVE BURRS AND BREAK EDGES .005 DO NOT SCALE THIS PRINT	DRAWN BY: MSM	SHEET: 1 of 5	PART NUMBER: RF-NL7 Series
	CHECKED BY: TP	SCALE: NTS	DESCRIPTION: 7' Non-Penetrating Roof Frame 3.5
	DATE: 10/19/09	MATERIAL: A529, A500	DRAWING TYPE: ASSEMBLY DRAWING
	REVISION: B	FINISH: GALV A123	 WESTCHESTER, IL. 60154 U.S.A.
	WEIGHT: SEE TABLE		



DETAIL B
SCALE 1 : 7



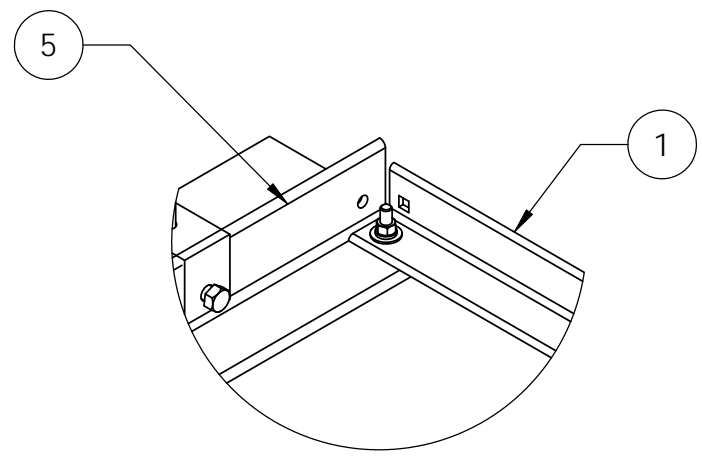
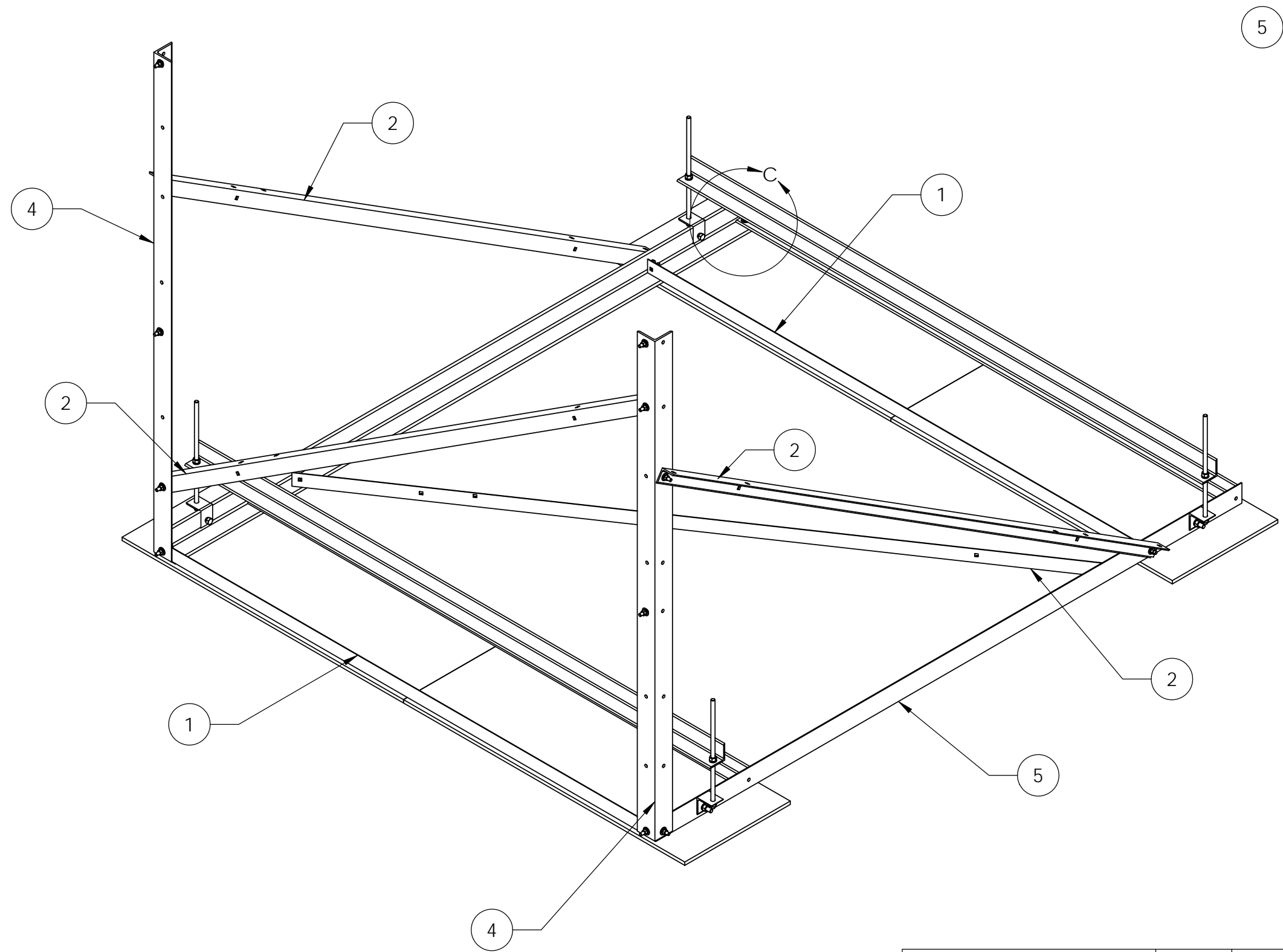
DETAIL A
SCALE 1 : 7

<p>These drawings and specifications are the proprietary property of ANDREW CORPORATION and may be used only for the specific purpose authorized in writing by Andrew Corporation.</p> <p>ALL DIMENSIONS ARE IN INCHES U.O.S. TOLERANCES UNLESS OTHERWISE SPECIFIED:</p> <p>.X = ± .12 ANGLES ±2° .XX = ± .06 FRACTIONS ±1/32 .XXX = ± .03</p> <p>REMOVE BURRS AND BREAK EDGES .005</p> <p>DO NOT SCALE THIS PRINT</p>	<p>DRAWN BY: MSM</p>	<p>SHEET: 2 of 5</p>	<p>PART NUMBER: RF-NL7 Series</p>
	<p>CHECKED BY: TP</p>	<p>SCALE: NTS</p>	<p>DESCRIPTION: 7' Non-Penetrating Roof Frame 3.5</p>
	<p>DATE: 10/19/09</p>	<p>MATERIAL: A529, A500</p>	<p>DRAWING TYPE: ASSEMBLY DRAWING</p>
	<p>REVISION: B</p>	<p>FINISH: GALV A123</p>	<p>WEIGHT: SEE TABLE</p>




8 7 6 5 4 3 2 1

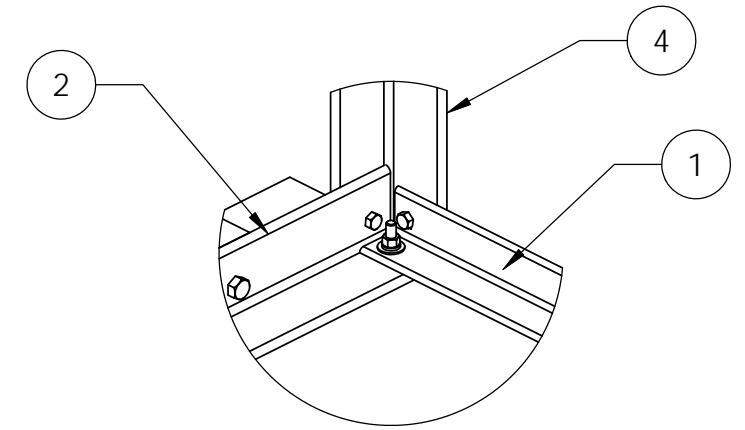
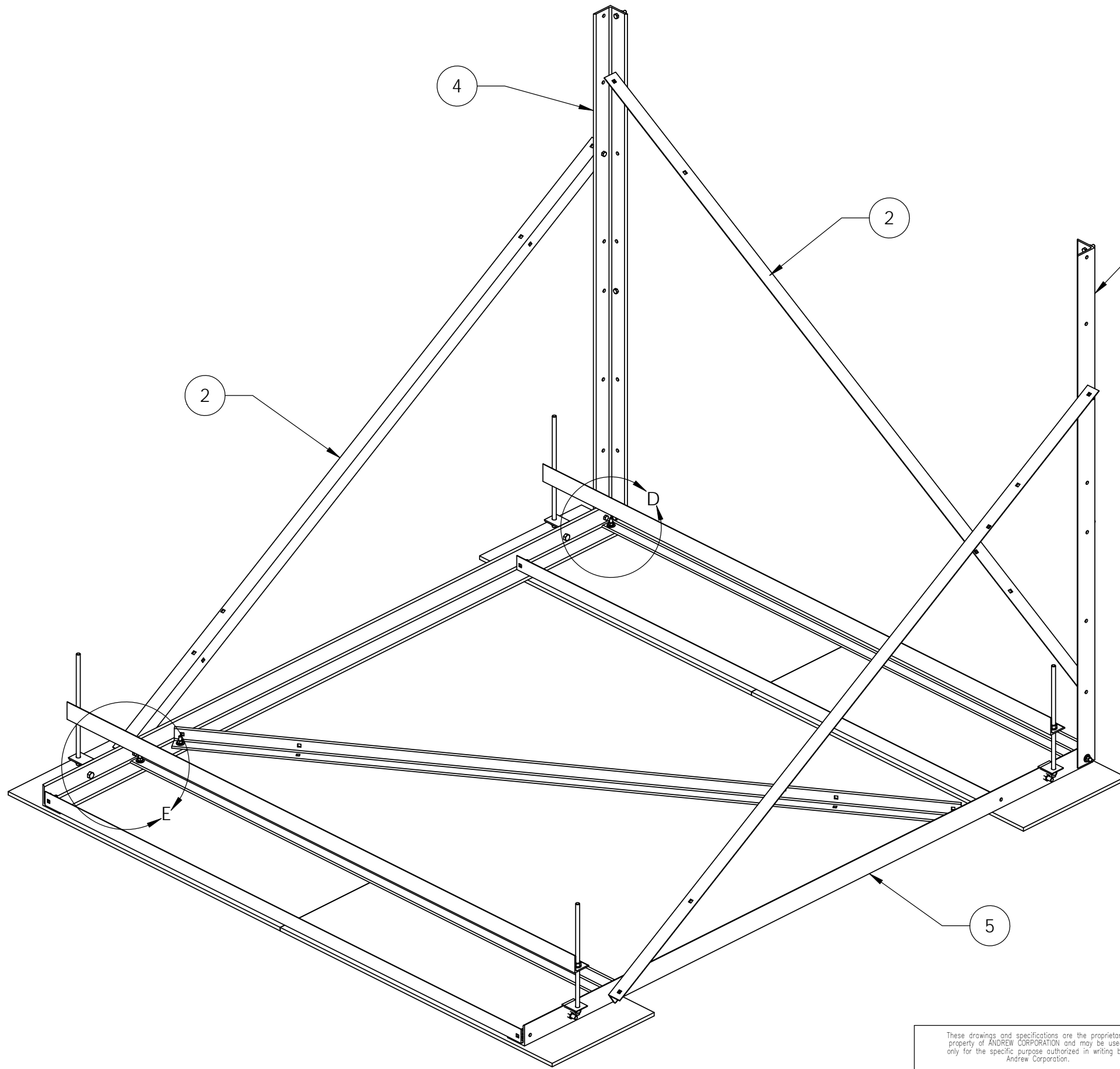
D
C
B
A



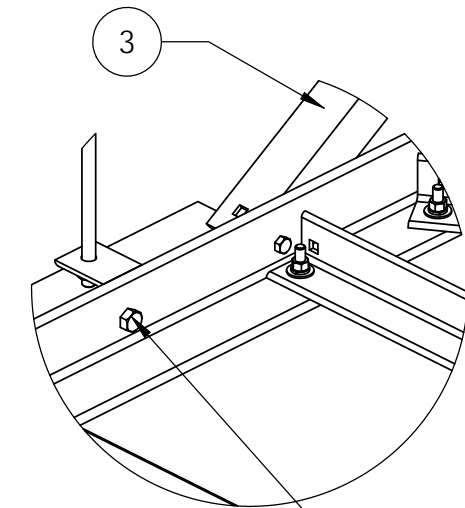
DETAIL C
SCALE 1 : 6

<p>These drawings and specifications are the proprietary property of ANDREW CORPORATION and may be used only for the specific purpose authorized in writing by Andrew Corporation.</p> <p>ALL DIMENSIONS ARE IN INCHES U.O.S. TOLERANCES UNLESS OTHERWISE SPECIFIED:</p> <p>.X = ± .12 ANGLES ±2° .XX = ± .06 FRACTIONS ±1/32 .XXX = ± .03</p> <p>REMOVE BURRS AND BREAK EDGES .005</p> <p>DO NOT SCALE THIS PRINT</p>	<p>DRAWN BY: MSM</p>	<p>SHEET: 3 of 5</p>	<p>PART NUMBER: RF-NL7 Series</p>
	<p>CHECKED BY: TP</p>	<p>SCALE: NTS</p>	<p>DESCRIPTION: 7' Non-Penetrating Roof Frame 3.5</p>
	<p>DATE: 10/19/09</p>	<p>MATERIAL: A529, A500</p>	<p>DRAWING TYPE: ASSEMBLY DRAWING</p>
	<p>REVISION: B</p>	<p>FINISH: GALV A123</p>	<p>WESTCHESTER, IL. 60154 U.S.A.</p>
		<p>WEIGHT: SEE TABLE</p>	

8 7 6 5 4 3 2 1



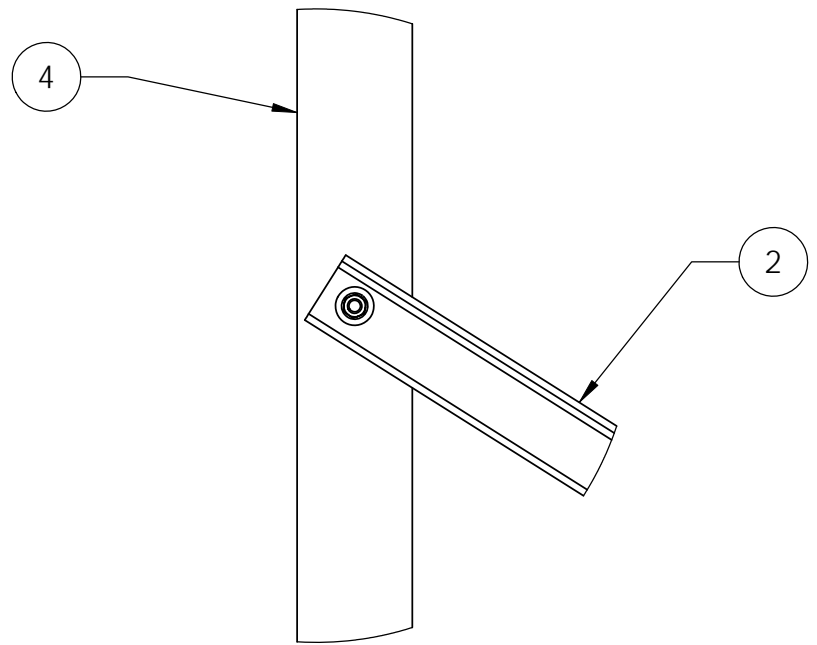
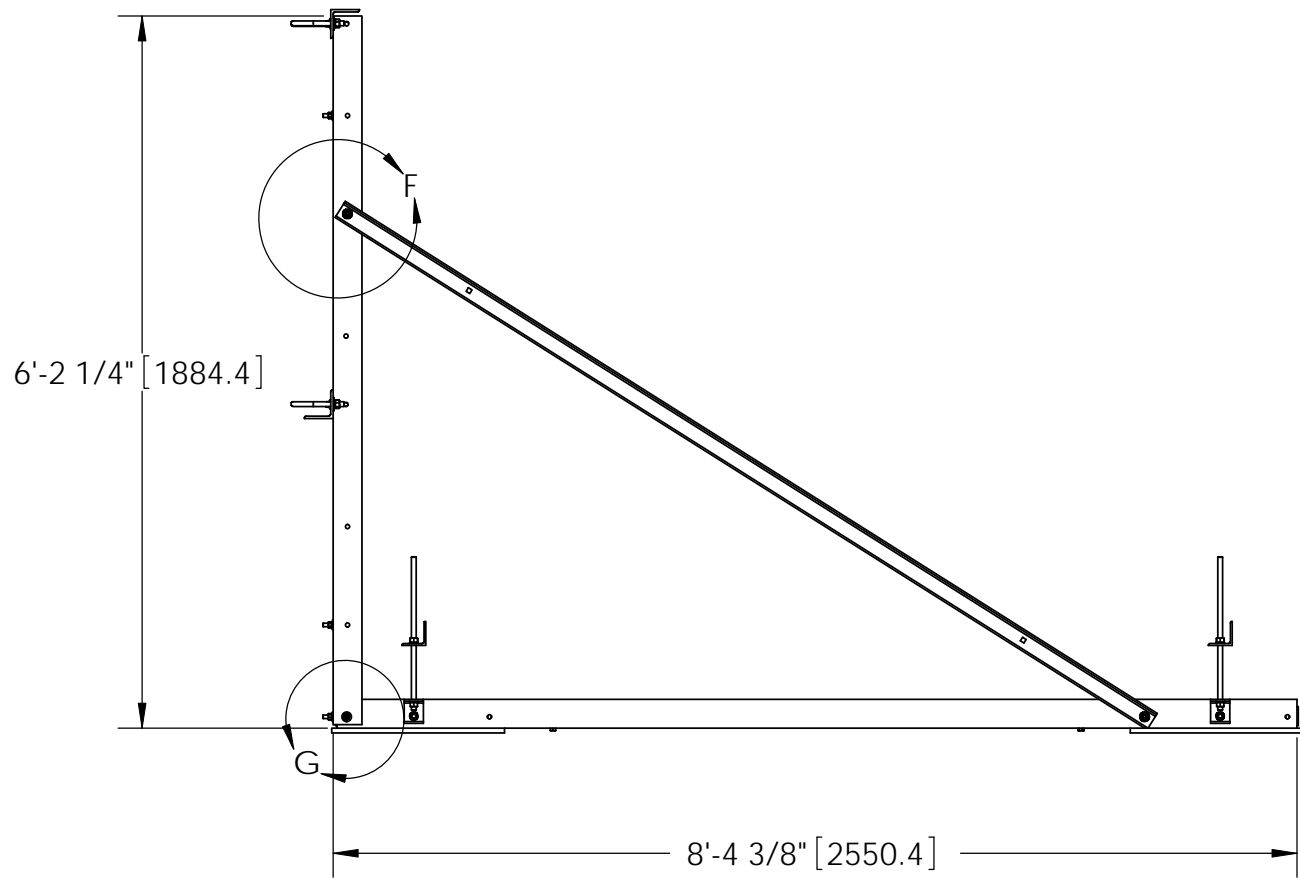
DETAIL D
SCALE 1 : 7



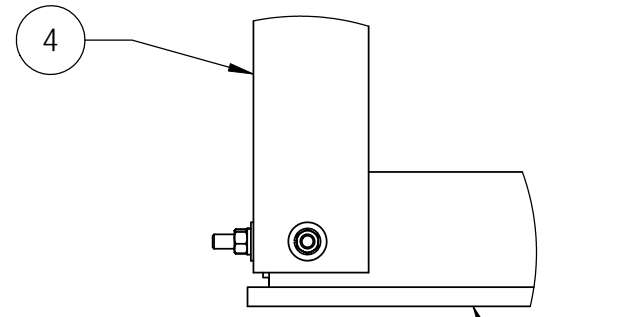
DETAIL E
SCALE 1 : 7
FIELD DRILL AS
REQUIRED RF-TDK

NOTES:
1. ALL METRIC DIMENSIONS ARE IN BRACKETS.

<p>These drawings and specifications are the proprietary property of ANDREW CORPORATION and may be used only for the specific purpose authorized in writing by Andrew Corporation.</p> <p>ALL DIMENSIONS ARE IN INCHES U.O.S. TOLERANCES UNLESS OTHERWISE SPECIFIED: .X = ± .12 ANGLES ±2° .XX = ± .06 FRACTIONS ±1/32 .XXX = ± .03</p> <p>REMOVE BURRS AND BREAK EDGES .005</p> <p>DO NOT SCALE THIS PRINT</p>	<p>DRAWN BY: MSM</p>	<p>SHEET: 4 of 5</p>	<p>PART NUMBER: RF-NL7 Series</p>
	<p>CHECKED BY: TP</p>	<p>SCALE: NTS</p>	<p>DESCRIPTION: 7' Non-Penetrating Roof Frame 3.5</p>
	<p>DATE: 10/19/09</p>	<p>MATERIAL: A529, A500</p>	<p>DRAWING TYPE: ASSEMBLY DRAWING</p>
	<p>REVISION: B</p>	<p>FINISH: GALV A123</p>	<p>WESTCHESTER, IL. 60154 U.S.A.</p>
	<p>WEIGHT: SEE TABLE</p>		



DETAIL F
SCALE 1 : 5



DETAIL G
SCALE 1 : 5

<p>These drawings and specifications are the proprietary property of ANDREW CORPORATION and may be used only for the specific purpose authorized in writing by Andrew Corporation.</p> <p>ALL DIMENSIONS ARE IN INCHES U.O.S. TOLERANCES UNLESS OTHERWISE SPECIFIED:</p> <p>.X = ± .12 ANGLES ±2° .XX = ± .06 FRACTIONS ±1/32 .XXX = ± .03</p> <p>REMOVE BURRS AND BREAK EDGES .005</p> <p>DO NOT SCALE THIS PRINT</p>	<p>DRAWN BY: MSM</p>	<p>SHEET: 5 of 5</p>	<p>PART NUMBER: RF-NL7 Series</p>
	<p>CHECKED BY: TP</p>	<p>SCALE: NTS</p>	<p>DESCRIPTION: 7' Non-Penetrating Roof Frame 3.5</p>
	<p>DATE: 10/19/09</p>	<p>MATERIAL: A529, A500</p>	<p>DRAWING TYPE: ASSEMBLY DRAWING</p>
	<p>REVISION: B</p>	<p>FINISH: GALV A123</p>	<p>WESTCHESTER, IL. 60154 U.S.A.</p>
	<p>WEIGHT: SEE TABLE</p>		