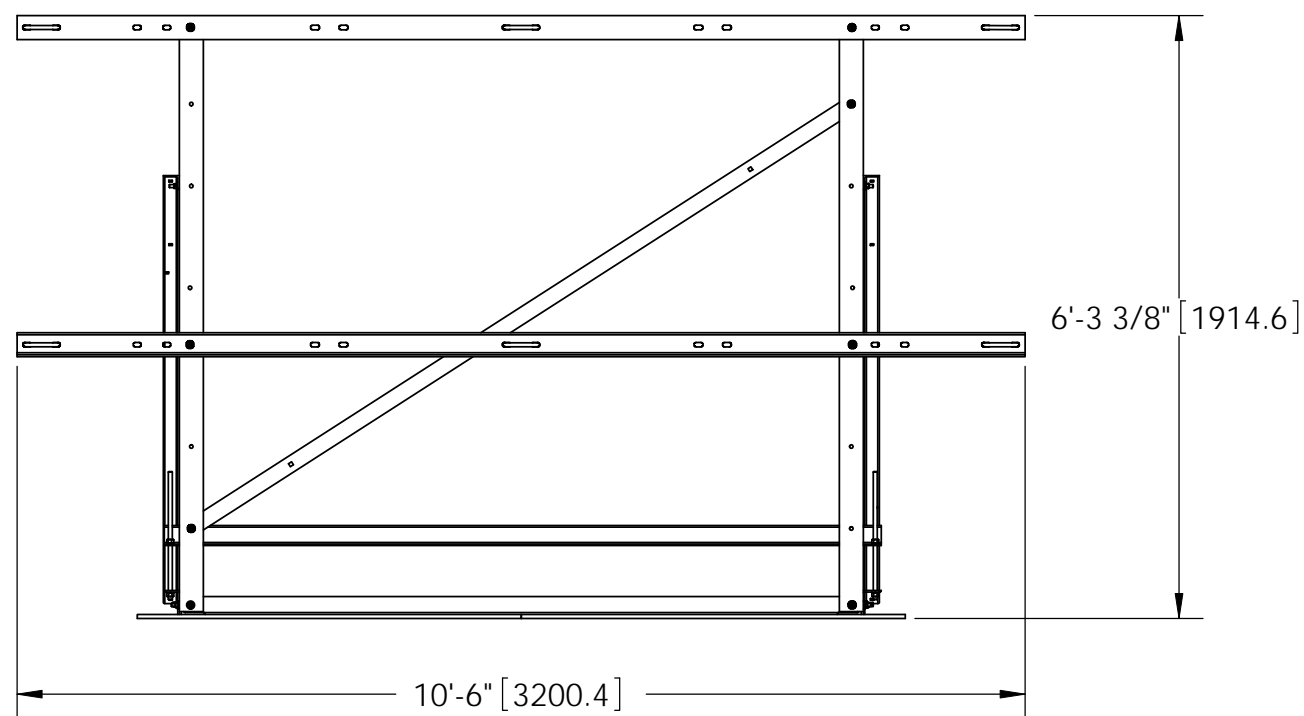


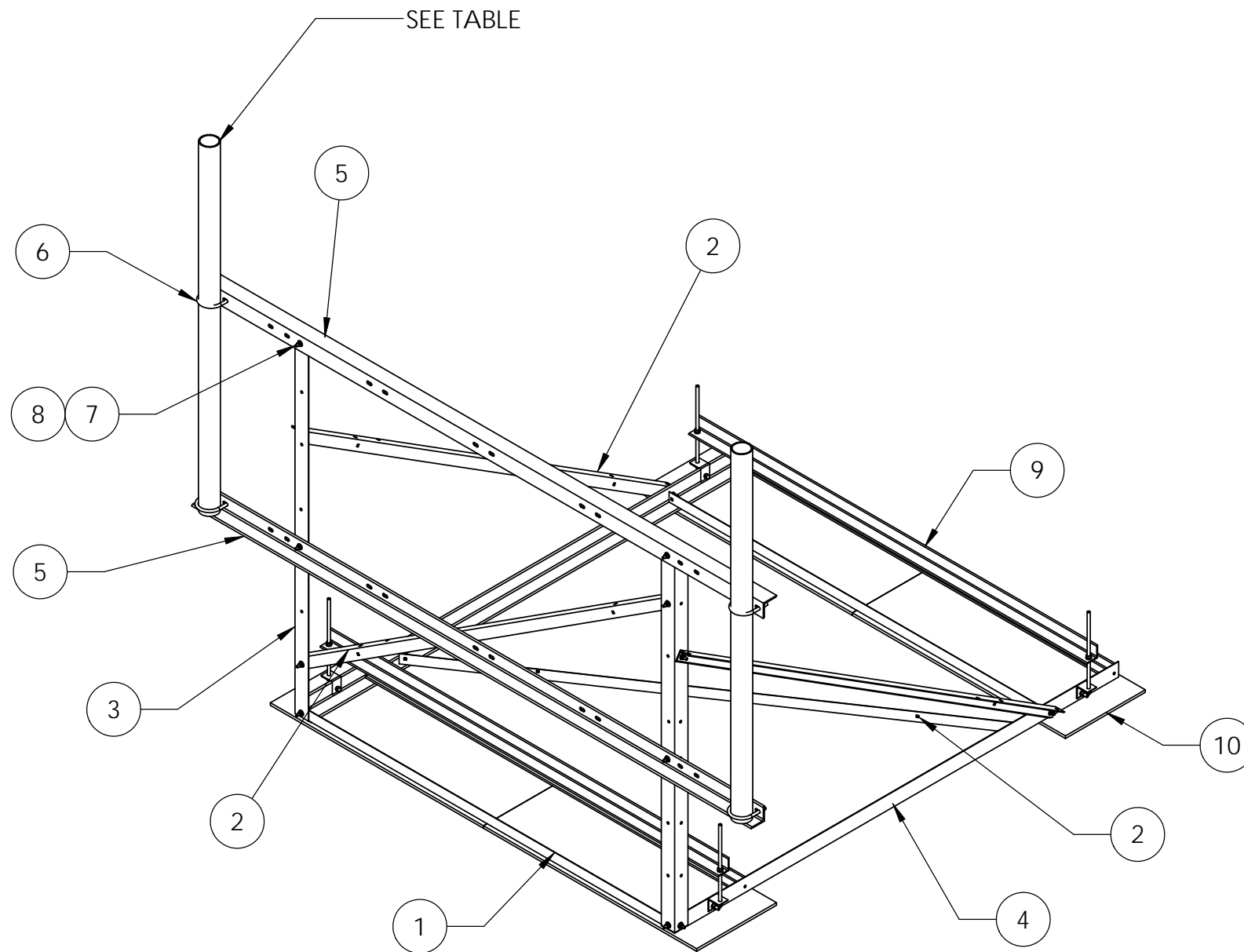
ITEM	PART NO.	DESCRIPTION	QTY.	WEIGHT
1	RFNB02	NON-PEN. ROOF MOUNT BASE ANGLE 2	4	16.70 LBS
2	RFNB03	NON-PEN. ROOF MOUNT BASE ANGLE 3	4	19.84 LBS
3	MTC997805	NON-PEN. ROOF MOUNT BASE ANGLE 1	2	29.45 LBS
4	MTC997807	NON-PEN. ROOF MOUNT BASE ANGLE 7	2	40.03 LBS
5	MTC99781001	NON-PEN. ROOF MOUNT 10' FACE ANGLE	2	50.01 LBS
6	GUB-4355	1/2" X 3-5/8" X 5" GALV U-BOLT	6	1.44 LBS
7	GB-03145	3/8" X 1-1/2" GALV BOLT KIT	24	0.07 LBS
8	GWF-03	3/8" GALV FLAT WASHER	24	0.01 LBS
9	RF-TDK	Roof Top Tie Down Kit	2	25.93 lbs
10	MT-F1637	RUBBER MAT .5" X 18" X 48"	4	15.61 LBS

REVISIONS				
REV.	ZONE	DESCRIPTION	BY	DATE
A		INITIAL RELEASE	MSM	01/05/12
B		ADD 2ea RFNB03 & 2ea RF-TDK	MSM	02/03/12

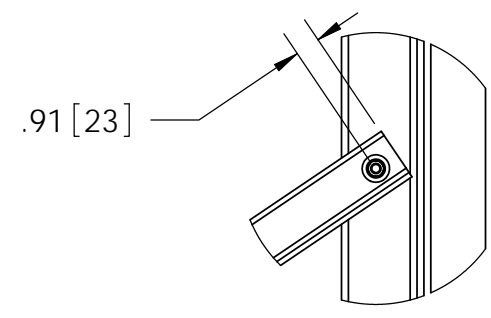
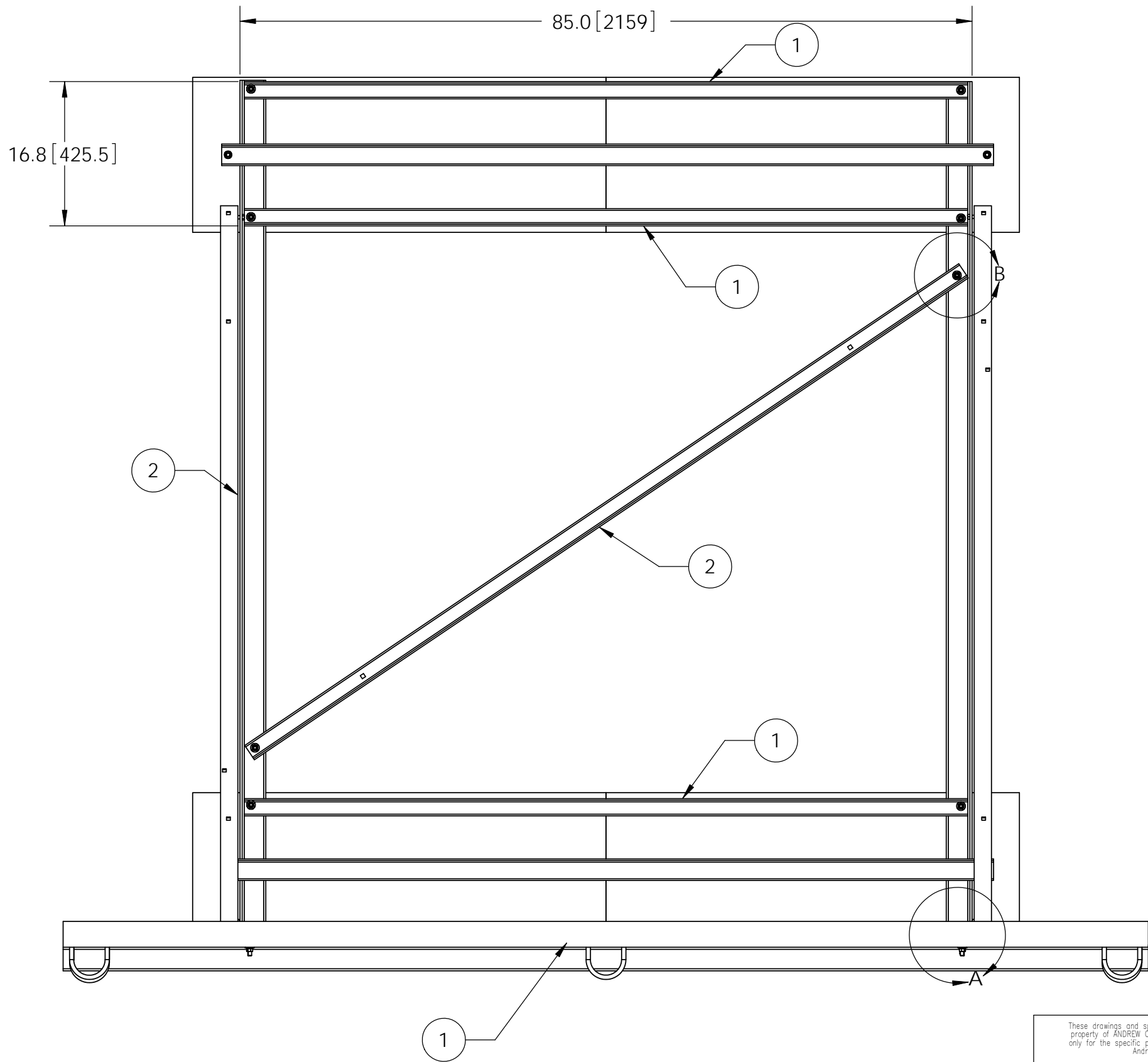
PART NO.	DESCRIPTION	MT54772	MT54796	WEIGHT
RF-NL10-B	10' NON-PENETRATING ROOF FRAME 3.5, BASE	-	-	500.13 LBS
RF-NL10-2-72	10' NON-PENETRATING ROOF FRAME 3.5 2-72	2	-	588.91 LBS
RF-NL10-3-72	10' NON-PENETRATING ROOF FRAME 3.5, 3-72	3	-	635.77 LBS
RF-NL10-2-96	10' NON-PENETRATING ROOF FRAME 3.5, 2-96	-	2	619.05 LBS
RF-NL10-3-96	10' NON-PENETRATING ROOF FRAME 3.5, 3-96	-	3	680.98 LBS



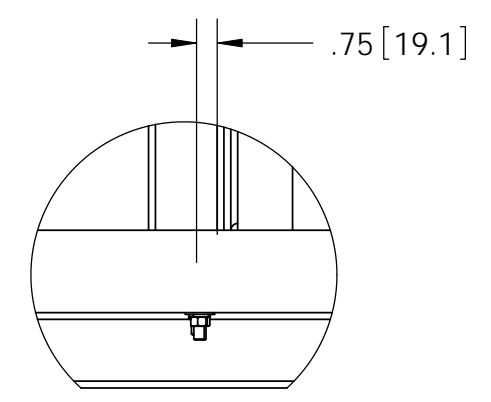
NOTES:
1. ALL METRIC DIMENSIONS ARE IN BRACKETS.



<small>These drawings and specifications are the proprietary property of ANDREW CORPORATION and may be used only for the specific purpose authorized in writing by Andrew Corporation.</small> ALL DIMENSIONS ARE IN INCHES U.O.S. TOLERANCES UNLESS OTHERWISE SPECIFIED: .X = ± .12 ANGLES ±2° .XX = ± .06 FRACTIONS ±1/32 .XXX = ± .03 REMOVE BURRS AND BREAK EDGES .005 DO NOT SCALE THIS PRINT	DRAWN BY: MSM	SHEET: 1 of 5	PART NUMBER: RF-NL10 Series
	CHECKED BY: TP	SCALE: NTS	DESCRIPTION: 10' Non-Penetrating Roof Frame 3.5
	DATE: 10/19/09	MATERIAL: A500, A529	DRAWING TYPE: ASSEMBLY DRAWING
	REVISION: B	FINISH: GALV A123	WESTCHESTER, IL. 60154 U.S.A.
	WEIGHT: SEE TABLE		



DETAIL B
SCALE 1 : 7




DETAIL A
SCALE 1 : 7

These drawings and specifications are the proprietary property of ANDREW CORPORATION and may be used only for the specific purpose authorized in writing by Andrew Corporation.


ALL DIMENSIONS ARE IN INCHES U.O.S.
TOLERANCES UNLESS OTHERWISE SPECIFIED:
.X = ± .12 ANGLES ±2°
.XX = ± .06 FRACTIONS ±1/32
.XXX = ± .03

REMOVE BURRS AND BREAK EDGES .005

DO NOT SCALE THIS PRINT

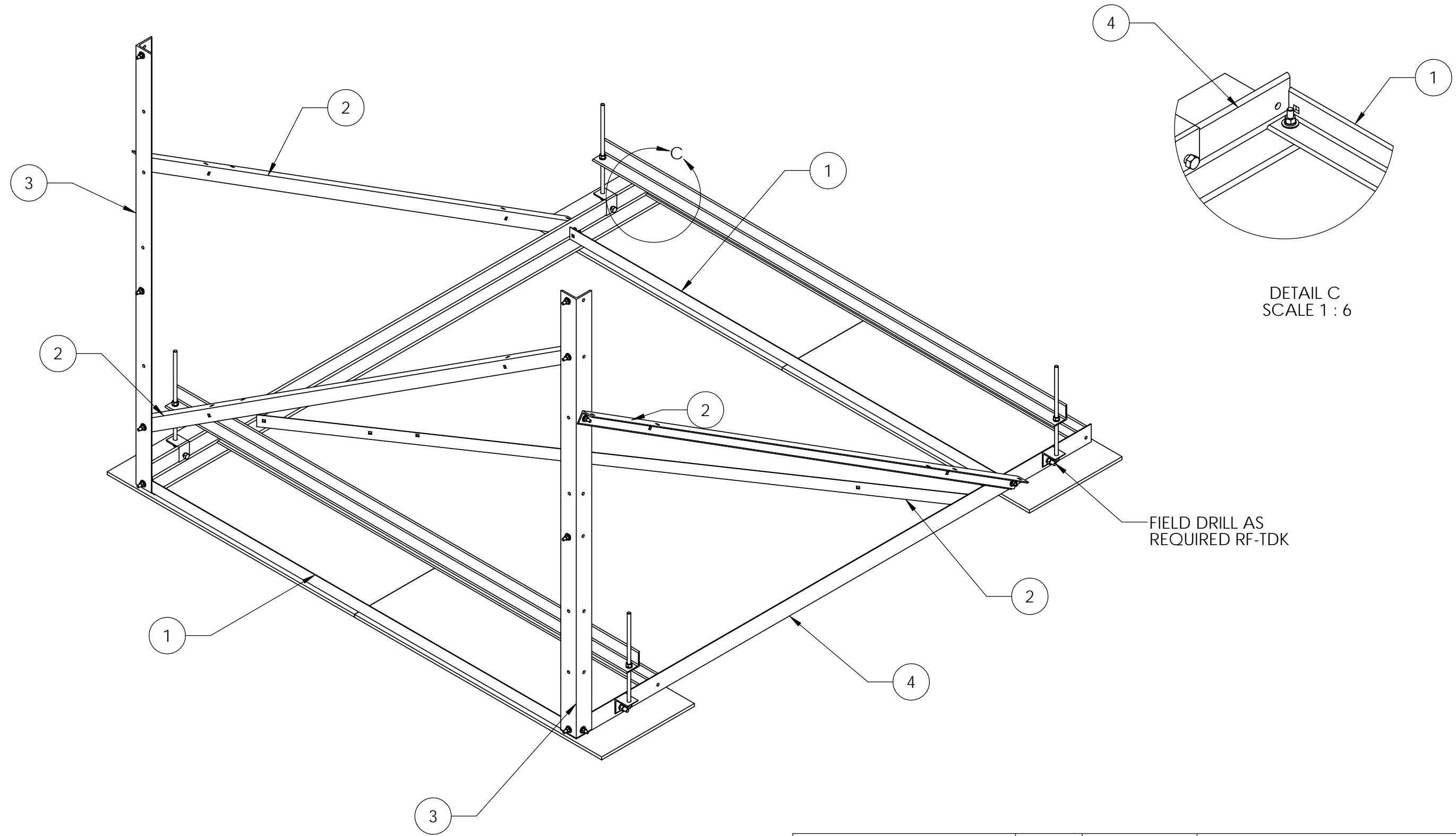
DRAWN BY: MSM	SHEET: 2 of 5	PART NUMBER: RF-NL10 Series
CHECKED BY: TP	SCALE: NTS	DESCRIPTION: 10' Non-Penetrating Roof Frame 3.5
DATE: 10/19/09	MATERIAL: A500, A529	DRAWING TYPE: ASSEMBLY DRAWING
REVISION: B	FINISH: GALV A123	
	WEIGHT: SEE TABLE	

WESTCHESTER, IL. 60154
U.S.A.



8 7 6 5 4 3 2 1

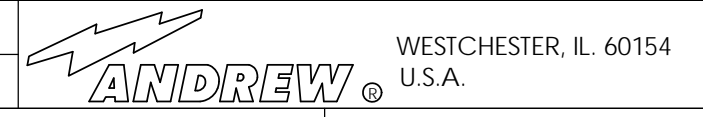
D
C
B
A



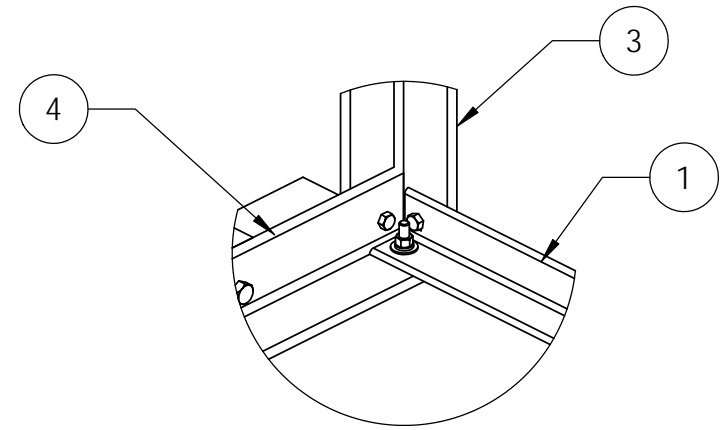
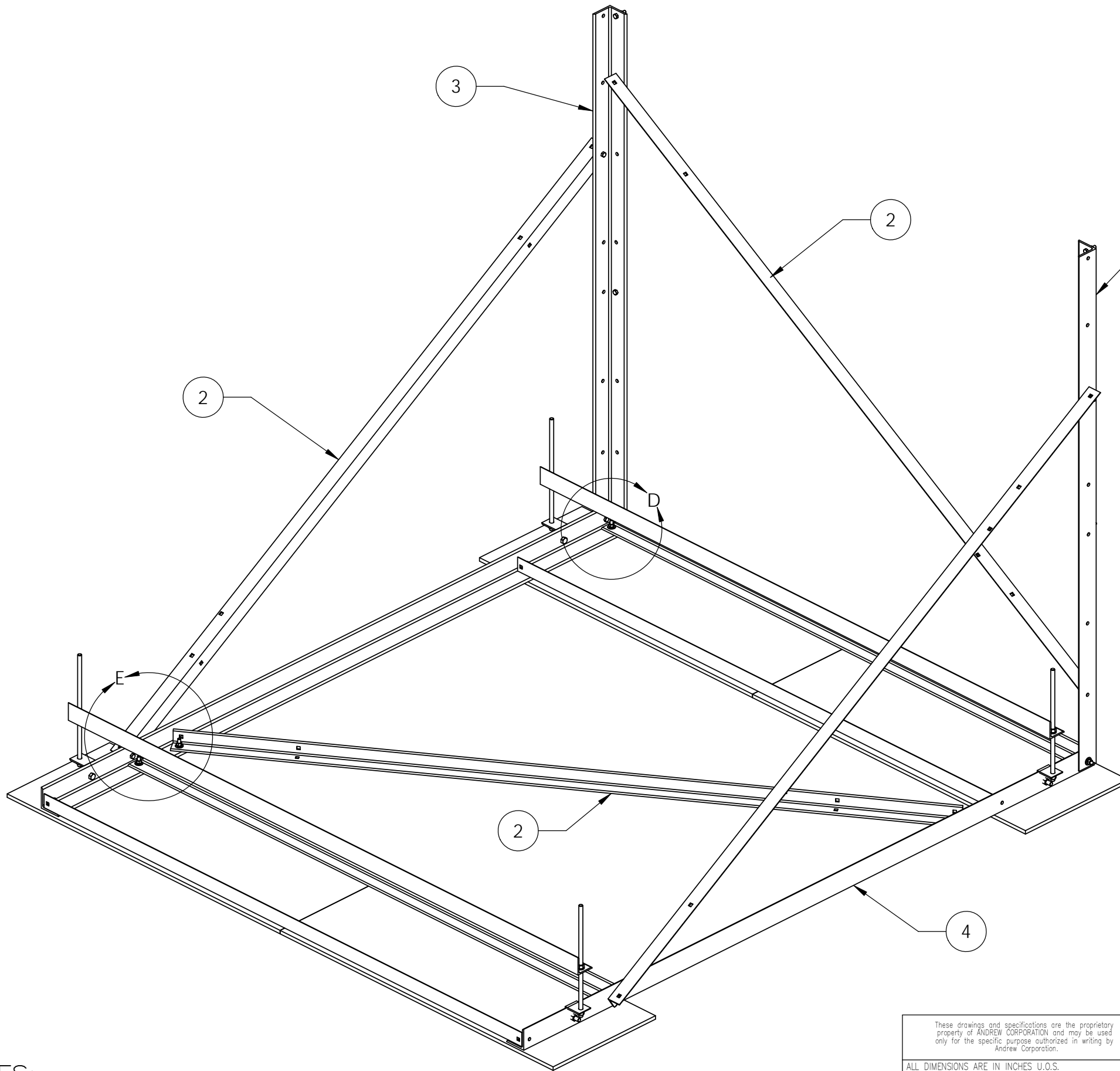
DETAIL C
SCALE 1 : 6

FIELD DRILL AS
REQUIRED RF-TDK

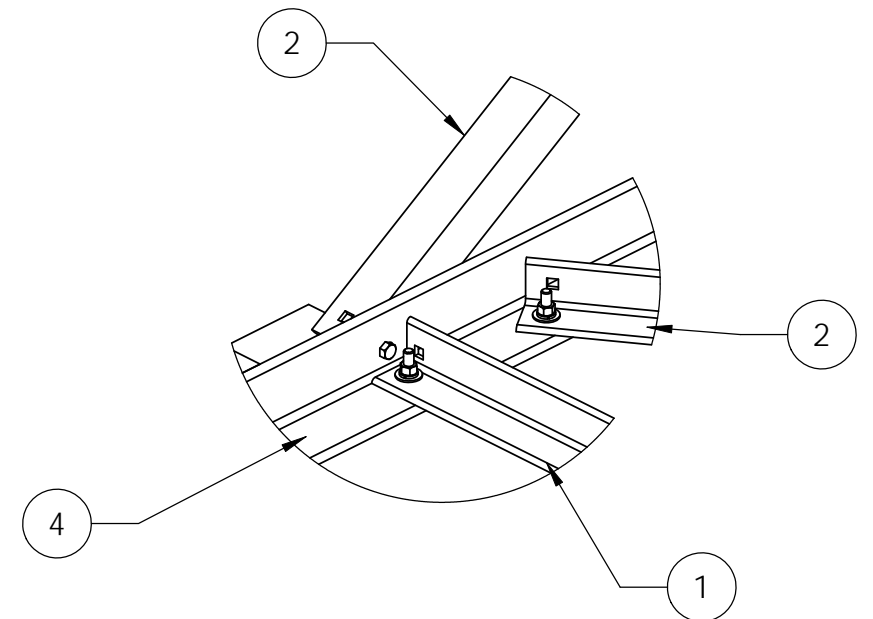
<p>These drawings and specifications are the proprietary property of ANDREW CORPORATION and may be used only for the specific purpose authorized in writing by Andrew Corporation.</p> <p>ALL DIMENSIONS ARE IN INCHES U.O.S. TOLERANCES UNLESS OTHERWISE SPECIFIED:</p> <p>.X = ± .12 ANGLES ±2° .XX = ± .06 FRACTIONS ±1/32 .XXX = ± .03</p> <p>REMOVE BURRS AND BREAK EDGES .005</p> <p>DO NOT SCALE THIS PRINT</p>	<p>DRAWN BY: MSM</p>	<p>SHEET: 3 of 5</p>	<p>PART NUMBER: RF-NL10 Series</p>
	<p>CHECKED BY: TP</p>	<p>SCALE: NTS</p>	<p>DESCRIPTION: 10' Non-Penetrating Roof Frame 3.5</p>
	<p>DATE: 10/19/09</p>	<p>MATERIAL: A500, A529</p>	<p>DRAWING TYPE: ASSEMBLY DRAWING</p>
	<p>REVISION: B</p>	<p>FINISH: GALV A123</p>	<p>WEIGHT: SEE TABLE</p>



8 7 6 5 4 3 2 1




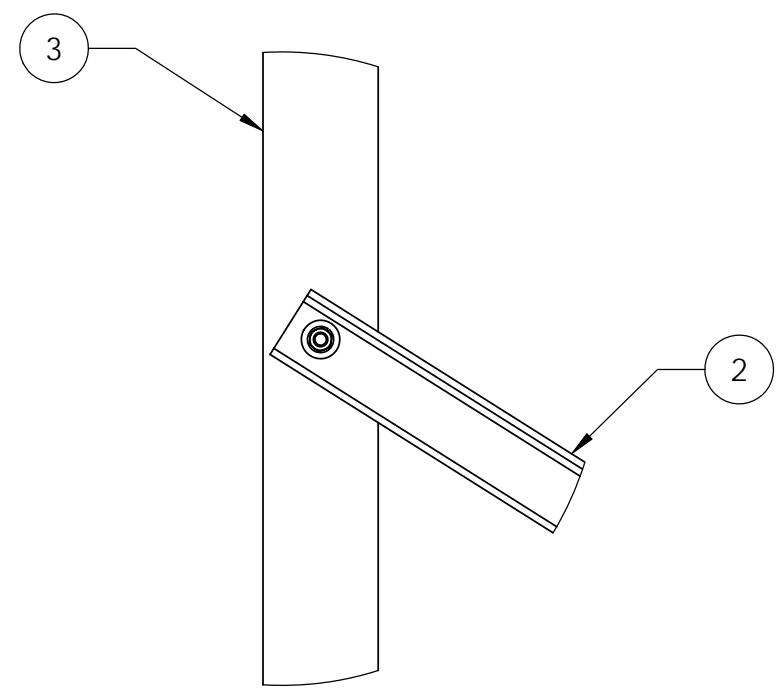
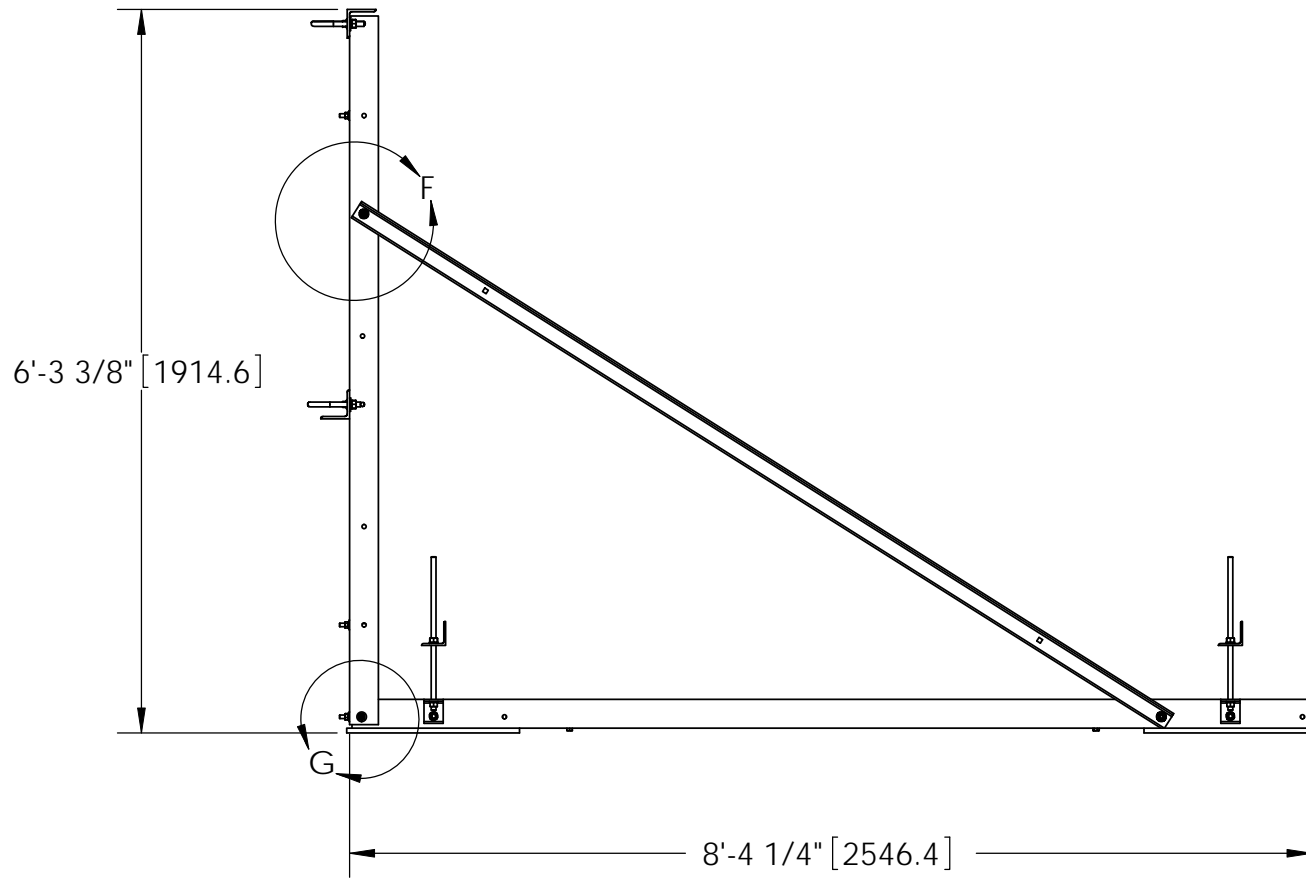
DETAIL D
SCALE 1 : 7



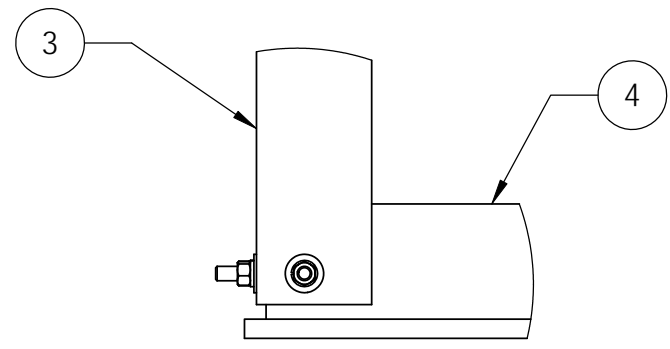
DETAIL E
SCALE 1 : 7

NOTES:
1. ALL METRIC DIMENSIONS ARE IN BRACKETS.


<p>These drawings and specifications are the proprietary property of ANDREW CORPORATION and may be used only for the specific purpose authorized in writing by Andrew Corporation.</p> <p>ALL DIMENSIONS ARE IN INCHES U.O.S. TOLERANCES UNLESS OTHERWISE SPECIFIED: .X = ± .12 ANGLES ±2° .XX = ± .06 FRACTIONS ±1/32 .XXX = ± .03</p> <p>REMOVE BURRS AND BREAK EDGES .005</p> <p>DO NOT SCALE THIS PRINT</p>	<p>DRAWN BY: MSM</p>	<p>SHEET: 4 of 5</p>	<p>PART NUMBER: RF-NL10 Series</p>
	<p>CHECKED BY: TP</p>	<p>SCALE: NTS</p>	<p>DESCRIPTION: 10' Non-Penetrating Roof Frame 3.5</p>
	<p>DATE: 10/19/09</p>	<p>MATERIAL: A500, A529</p>	<p>DRAWING TYPE: ASSEMBLY DRAWING</p>
	<p>REVISION: B</p>	<p>FINISH: GALV A123</p>	<p>WESTCHESTER, IL. 60154 U.S.A.</p>
	<p>WEIGHT: SEE TABLE</p>		



DETAIL F
SCALE 1 : 5



DETAIL G
SCALE 1 : 5

<p>These drawings and specifications are the proprietary property of ANDREW CORPORATION and may be used only for the specific purpose authorized in writing by Andrew Corporation.</p> <p>ALL DIMENSIONS ARE IN INCHES U.O.S. TOLERANCES UNLESS OTHERWISE SPECIFIED:</p> <p>.X = ± .12 ANGLES ±2° .XX = ± .06 FRACTIONS ±1/32 .XXX = ± .03</p> <p>REMOVE BURRS AND BREAK EDGES .005</p> <p>DO NOT SCALE THIS PRINT</p>	<p>DRAWN BY: MSM</p>	<p>SHEET: 5 of 5</p>	<p>PART NUMBER: RF-NL10 Series</p>
	<p>CHECKED BY: TP</p>	<p>SCALE: NTS</p>	<p>DESCRIPTION: 10' Non-Penetrating Roof Frame 3.5</p>
	<p>DATE: 10/19/09</p>	<p>MATERIAL: A500, A529</p>	<p>DRAWING TYPE: ASSEMBLY DRAWING</p>
	<p>REVISION: B</p>	<p>FINISH: GALV A123</p> <p>WEIGHT: SEE TABLE</p>	 <p>WESTCHESTER, IL. 60154 U.S.A.</p>