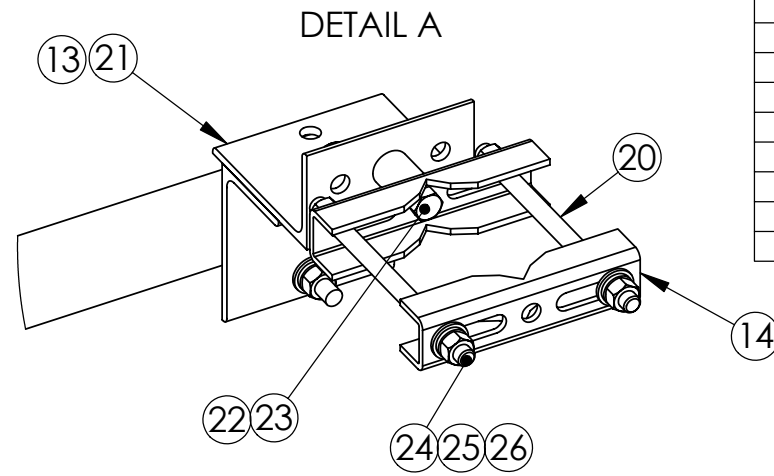
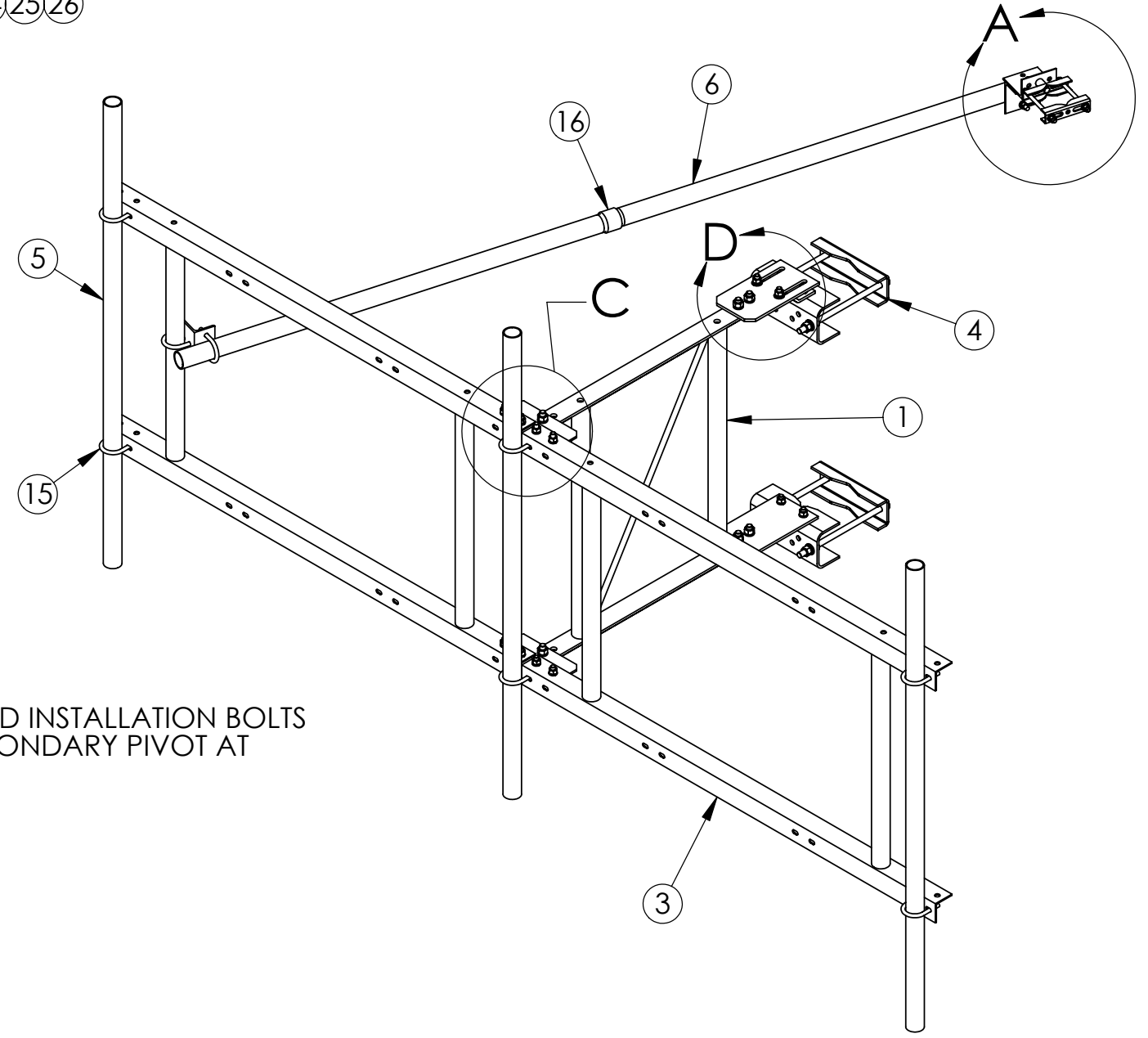


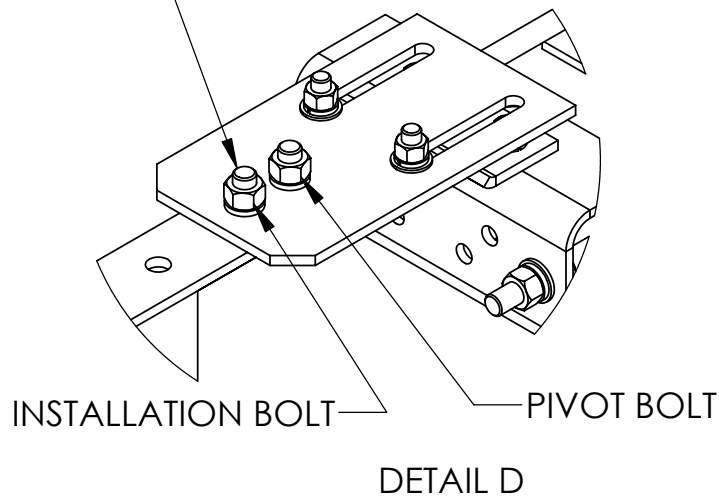
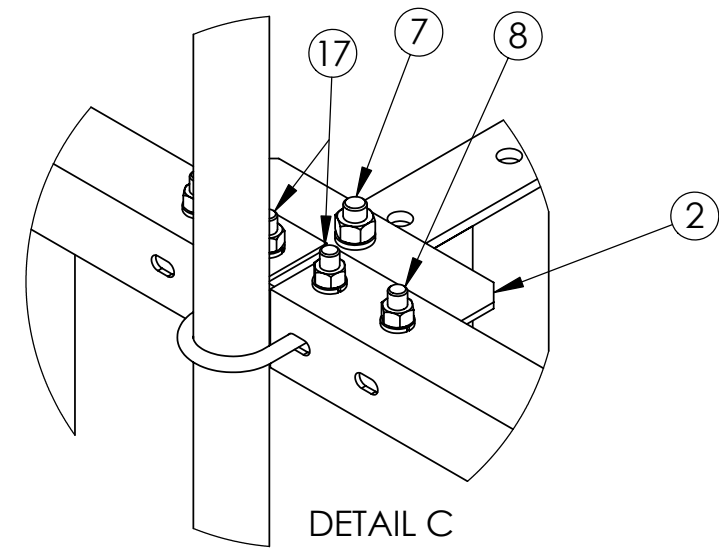
ITEM	PART NO.	DESCRIPTION	QTY.	WEIGHT
1	QTSF.01	STAND OFF FRAME	1	75.05 LBS
2	QTSF.05	PIVOT PLATE	2	3.67 LBS
3	QTSFXX.XX	FACE WELDMENT (SEE TABLE 1)	2	
4	SM-U2080	UNIVERSAL SADDLE MOUNT	1	23.73 LBS
5	MT-XXX	VERTICAL PIPE (SEE TABLE 1)		
6	SAB63.01	2-3/8" O.D. X 63" PIPE NPT 1 END	2	19.06 LBS
7	GB-0620A	3/4" X 2" GALV BOLT KIT	2	0.41 LBS
8	GB-0516A	5/8" X 1-3/4" GALV BOLT KIT	4	0.41 LBS
9	QTSFH	HARDWARE KIT (ITEMS 10-28)	1	
10	QTSF.06	SLIDE MOUNT	1	7.01 LBS
11	QTSF.07	BOTTOM MOUNT	1	7.67 LBS
12	PMSL.01	S-BRACKET	1	4.30 LBS
13	XA2020.01	CROSS OVER ANGLE	3	2.66 LBS
14	SAB.01	FORMED CLAMP	2	1.01 LBS
15	GUB-4240	1/2" X 2-1/2" X 4" GALV U-BOLT	11	0.56 LBS
16	WT-MPTC	2-3/8" O.D. THREADED PIPE COUPLER	1	1.46 LBS
17	GB-0516A	5/8" X 1-3/4" GALV BOLT KIT	6	0.41 LBS
18	GB-0514A	5/8" X 1-1/2" GALV BOLT KIT	2	0.41 LBS
19	GWF-05	5/8" GALV FLAT WASHER	2	0.04 LBS
20	MT-379-8	1/2" X 8" GALV THREADED ROD	2	0.44 LBS
21	GB-04125	1/2" X 1-1/4" GALV BOLT KIT	1	0.41 LBS
22	GB-04265	1/2" X 2-3/4" GALV BOLT KIT	1	0.41 LBS
23	OS15034	1-1/2" OFFSET COLLAR	1	0.14 LBS
24	GWF-04	1/2" GALV FLAT WASHER	4	0.02 LBS
25	GN-04	1/2" GALV HEX NUT	4	0.04 LBS
26	GWL-04	1/2" GALV LOCK WASHER	2	0.01 LBS
27	GB-0520A	5/8" X 2" GALV BOLT KIT	2	0.41 LBS
28	GB-0620A	3/4" X 2" GALV BOLT KIT	4	0.41 LBS



REVISIONS				
REV.	ZONE	DESCRIPTION	BY	DATE
A		INITIAL RELEASE	AW	01/12/05
B		UPDATED TABLE 1	ACG	02/18/05
C		UPDATED STIFF ARM PIPE	ACG	02/23/05
D		UPDATED BOLT CALL OUTS	AW	03/07/05
E		MOVED MOUNT PLATES TO HARDWARE KIT	AW	09/28/05
F		ADDED 14' QT-SF TO PART NUMBERS LIST	AW	06/23/06
G		ADDED PAGE FOR SM-U2080 DETAIL	ACG	08/17/06
H		UPDATE SADDLE MOUNT	ACG	08/22/07



INSTALL FRAME USING 3/4" PIVOT AND INSTALLATION BOLTS
REMOVE INSTALLATION BOLTS IF SECONDARY PIVOT AT
SADDLE IS DESIRED




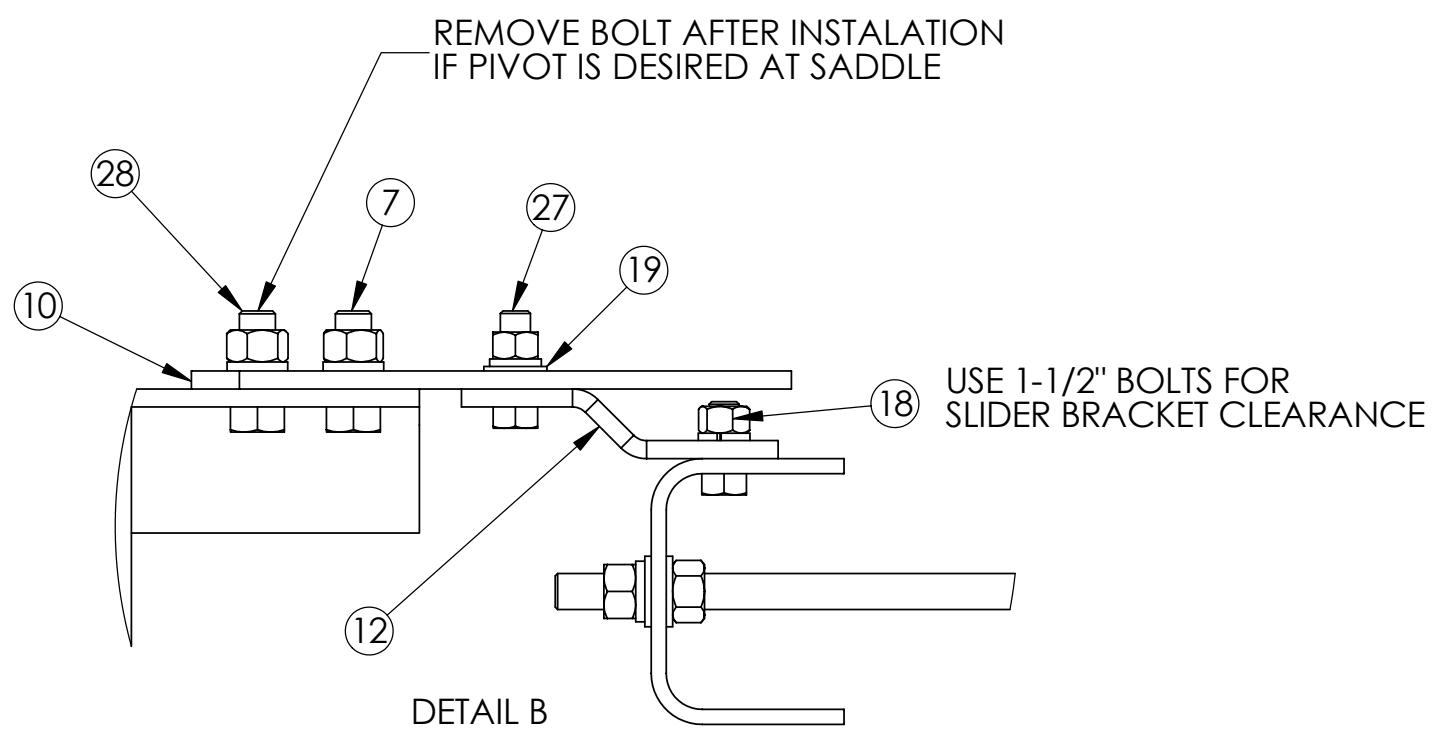
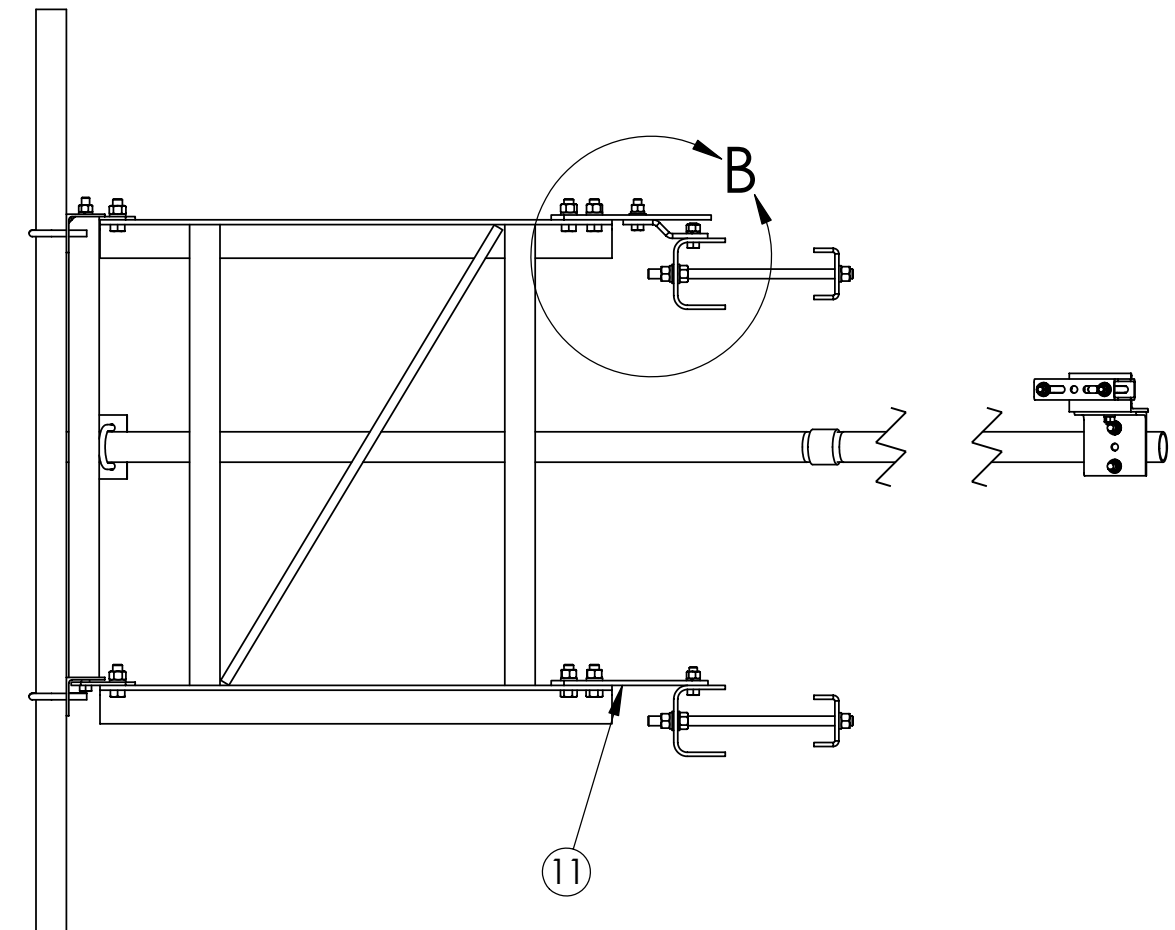

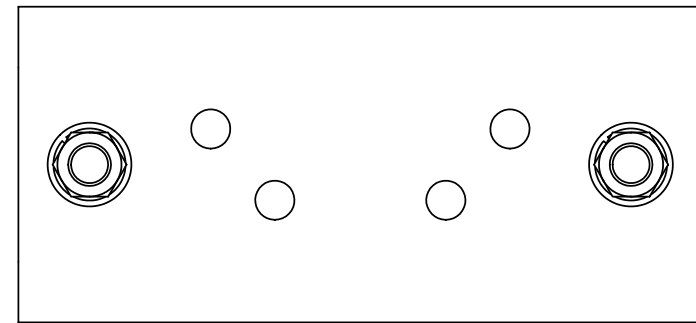
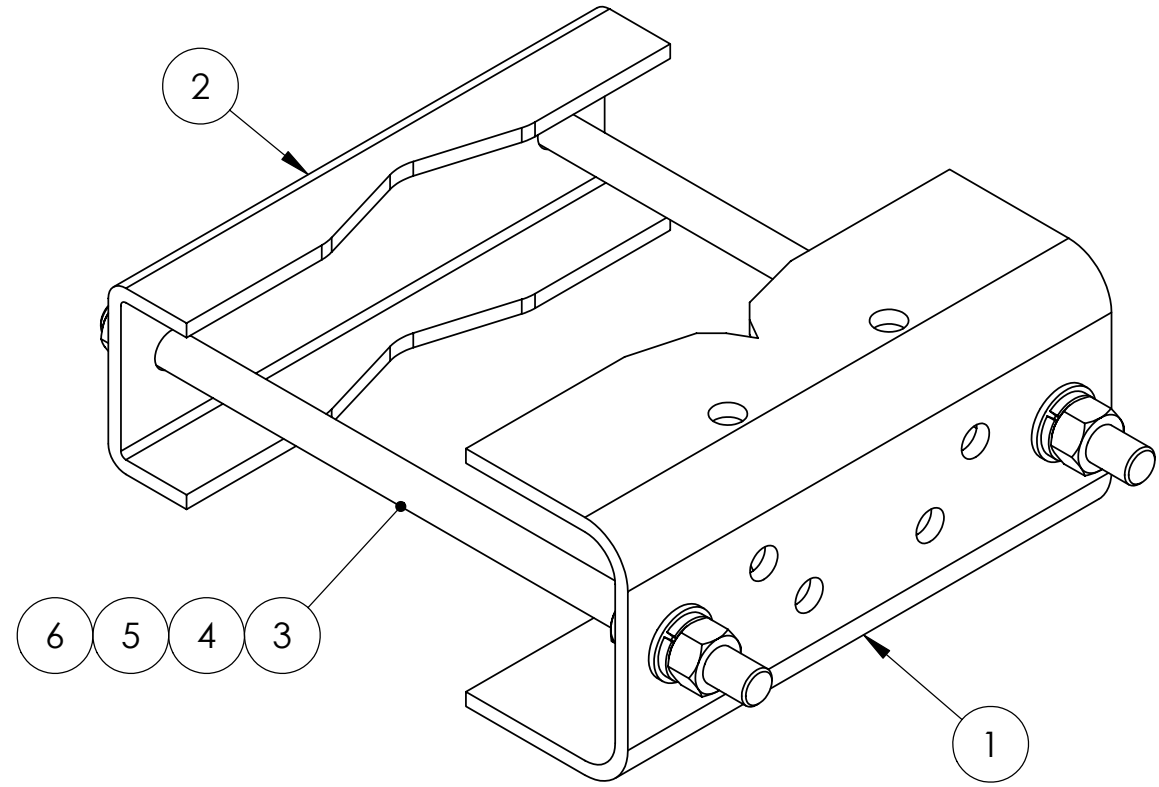
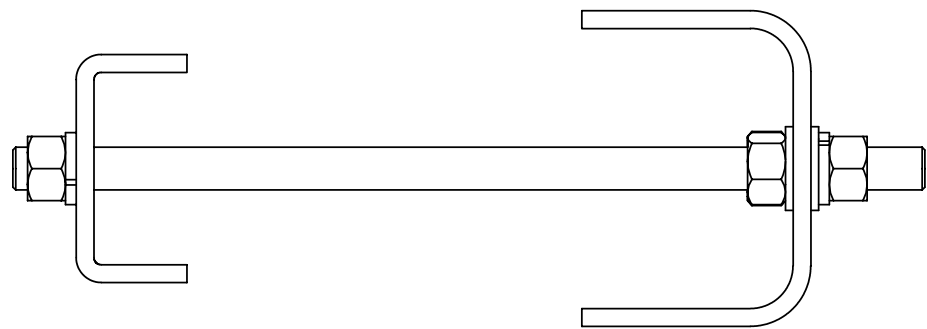
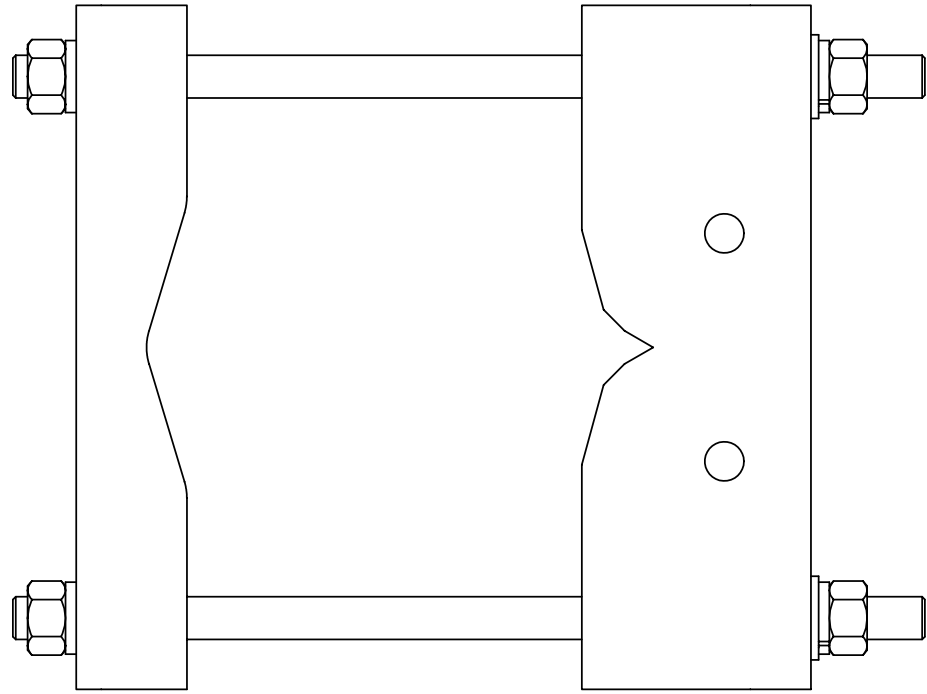
<small>These drawings and specifications are the proprietary property of ANDREW CORPORATION and may be used only for the specific purpose authorized in writing by Andrew Corporation.</small> ALL DIMENSIONS ARE IN INCHES U.O.S. TOLERANCES UNLESS OTHERWISE SPECIFIED: .X = .06 ANGLES 2' .XX = .03 FRACTIONS 1/32 .XXX = .010 REMOVE BURRS AND BREAK EDGES .005 DO NOT SCALE THIS PRINT	DRAWN BY: AW	SHEET: 1 of 3	PART NUMBER: QT-SF SERIES
	CHECKED BY: TP	SCALE: NTS	DESCRIPTION: QUIK-TEE SECTOR FRAME
	DATE: 01/12/05	MATERIAL: A36, A53	DRAWING TYPE: ASSEMBLY DRAWING
	REVISION: H	FINISH: GALV A123	 ORLAND PARK, IL. 60462 U.S.A.
	WEIGHT: SEE TABLE		

TABLE 1				
QT-SF SERIES	WEIGHT	FACE WELDMENT	VERTICAL PIPE (QTY)	DESCRIPTION
QT-SF10-2-126	415.37 LBS	QTSF10.01	MT-537 (2)	2-3/8" O.D. X 126" LG PIPE
QT-SF10-2-96	402.97 LBS	QTSF10.01	MT-651-96 (2)	2-3/8" O.D. X 96" LG PIPE
QT-SF10-2-72	377.97 LBS	QTSF10.01	MT-651 (2)	2-3/8" O.D. X 72" LG PIPE
QT-SF10-3-126	455.07 LBS	QTSF10.01	MT-537 (3)	2-3/8" O.D. X 126" LG PIPE
QT-SF10-3-96	436.47 LBS	QTSF10.01	MT-651-96 (3)	2-3/8" O.D. X 96" LG PIPE
QT-SF10-3-72	398.97 LBS	QTSF10.01	MT-651 (3)	2-3/8" O.D. X 72" LG PIPE
QT-SF10-4-126	494.77 LBS	QTSF10.01	MT-537 (4)	2-3/8" O.D. X 126" LG PIPE
QT-SF10-4-96	469.97 LBS	QTSF10.01	MT-651-96 (4)	2-3/8" O.D. X 96" LG PIPE
QT-SF10-4-72	419.97 LBS	QTSF10.01	MT-651 (4)	2-3/8" O.D. X 72" LG PIPE
QT-SF10-B	335.97 LBS	QTSF10.01	N/A (0)	
QT-SF12-2-126	430.36 LBS	QTSF12.01	MT-537 (2)	2-3/8" O.D. X 126" LG PIPE
QT-SF12-2-96	417.96 LBS	QTSF12.01	MT-651-96 (2)	2-3/8" O.D. X 96" LG PIPE
QT-SF12-2-72	392.96 LBS	QTSF12.01	MT-651 (2)	2-3/8" O.D. X 72" LG PIPE
QT-SF12-3-126	470.06 LBS	QTSF12.01	MT-537 (3)	2-3/8" O.D. X 126" LG PIPE
QT-SF12-3-96	451.46 LBS	QTSF12.01	MT-651-96 (3)	2-3/8" O.D. X 96" LG PIPE
QT-SF12-3-72	413.96 LBS	QTSF12.01	MT-651 (3)	2-3/8" O.D. X 72" LG PIPE
QT-SF12-4-126	509.76 LBS	QTSF12.01	MT-537 (4)	2-3/8" O.D. X 126" LG PIPE
QT-SF12-4-96	484.96 LBS	QTSF12.01	MT-651-96 (4)	2-3/8" O.D. X 96" LG PIPE
QT-SF12-4-72	434.96 LBS	QTSF12.01	MT-651 (4)	2-3/8" O.D. X 72" LG PIPE
QT-SF12-B	350.96 LBS	QTSF12.01	N/A (0)	
QT-SF14-2-126	449.50 LBS	QTSF14.01	MT-537 (2)	2-3/8" O.D. X 126" LG PIPE
QT-SF14-2-96	437.10 LBS	QTSF14.01	MT-651-96 (2)	2-3/8" O.D. X 96" LG PIPE
QT-SF14-2-72	412.10 LBS	QTSF14.01	MT-651 (2)	2-3/8" O.D. X 72" LG PIPE
QT-SF14-3-126	489.20 LBS	QTSF14.01	MT-537 (3)	2-3/8" O.D. X 126" LG PIPE
QT-SF14-3-96	470.60 LBS	QTSF14.01	MT-651-96 (3)	2-3/8" O.D. X 96" LG PIPE
QT-SF14-3-72	433.10 LBS	QTSF14.01	MT-651 (3)	2-3/8" O.D. X 72" LG PIPE
QT-SF14-4-126	528.90 LBS	QTSF14.01	MT-537 (4)	2-3/8" O.D. X 126" LG PIPE
QT-SF14-4-96	504.10 LBS	QTSF14.01	MT-651-96 (4)	2-3/8" O.D. X 96" LG PIPE
QT-SF14-4-72	454.10 LBS	QTSF14.01	MT-651 (4)	2-3/8" O.D. X 72" LG PIPE
QT-SF14-B	370.10 LBS	QTSF14.01	N/A (0)	




<small>These drawings and specifications are the proprietary property of ANDREW CORPORATION and may be used only for the specific purpose authorized in writing by Andrew Corporation.</small> ALL DIMENSIONS ARE IN INCHES U.O.S. TOLERANCES UNLESS OTHERWISE SPECIFIED: .X = .06 ANGLES 2' .XX = .03 FRACTIONS 1/32 .XXX = .010 REMOVE BURRS AND BREAK EDGES .005 DO NOT SCALE THIS PRINT	DRAWN BY: AW	SHEET: 2 of 3	PART NUMBER: QT-SF SERIES
	CHECKED BY: TP	SCALE: NTS	DESCRIPTION: QUIK-TEE SECTOR FRAME
	DATE: 01/12/05	MATERIAL: A36, A53	DRAWING TYPE: ASSEMBLY DRAWING
	REVISION: H	FINISH: GALV A123	 ORLAND PARK, IL. 60462 U.S.A.
	WEIGHT: SEE TABLE		

ITEM	PART NO.	DESCRIPTION	QTY.	WEIGHT
	SM-U2080	HARDWARE KIT (ITEMS 1-6)	1	47.46 LBS
1	SMU2080.04	MOUNT	2	12.29 LBS
2	SMU2080.06	CLAMP PLATE	2	6.23 LBS
3	MT-384-16	3/4" X 16" GALV THREADED ROD	4	2.00 LBS
4	GWL-06	3/4" GALV LOCK WASHER	8	0.00 LBS
5	GWF-06	3/4" GALV FLAT WASHER	8	0.01 LBS
6	GN-06	3/4" GALV HEX NUT	12	0.01 LBS



NOTES:
 1. ALL METRIC DIMENSIONS ARE IN BRACKETS.

<small>These drawings and specifications are the proprietary property of ANDREW CORPORATION and may be used only for the specific purpose authorized in writing by Andrew Corporation.</small> ALL DIMENSIONS ARE IN INCHES U.O.S. TOLERANCES UNLESS OTHERWISE SPECIFIED: .X = ± .06 ANGLES ±2° .XX = ± .03 FRACTIONS ±1/32 .XXX = ± .010 REMOVE BURRS AND BREAK EDGES .005 DO NOT SCALE THIS PRINT	DRAWN BY: AW	SHEET: 3 of 3	PART NUMBER: QT-SF SERIES
	CHECKED BY: TP	SCALE: NTS	DESCRIPTION: UNIVERSAL SADDLE MOUNT
	DATE: 01/12/05	MATERIAL: A36, A53	DRAWING TYPE: ASSEMBLY DRAWING
	REVISION: H	FINISH: GALV A123 WEIGHT: SEE TABLE	 ANDREW ® ORLAND PARK, IL. 60462 U.S.A.