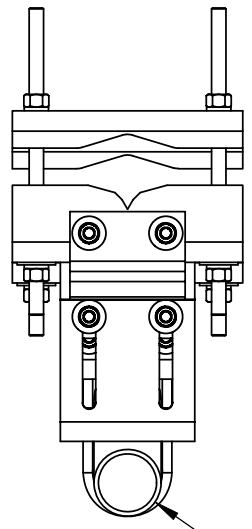
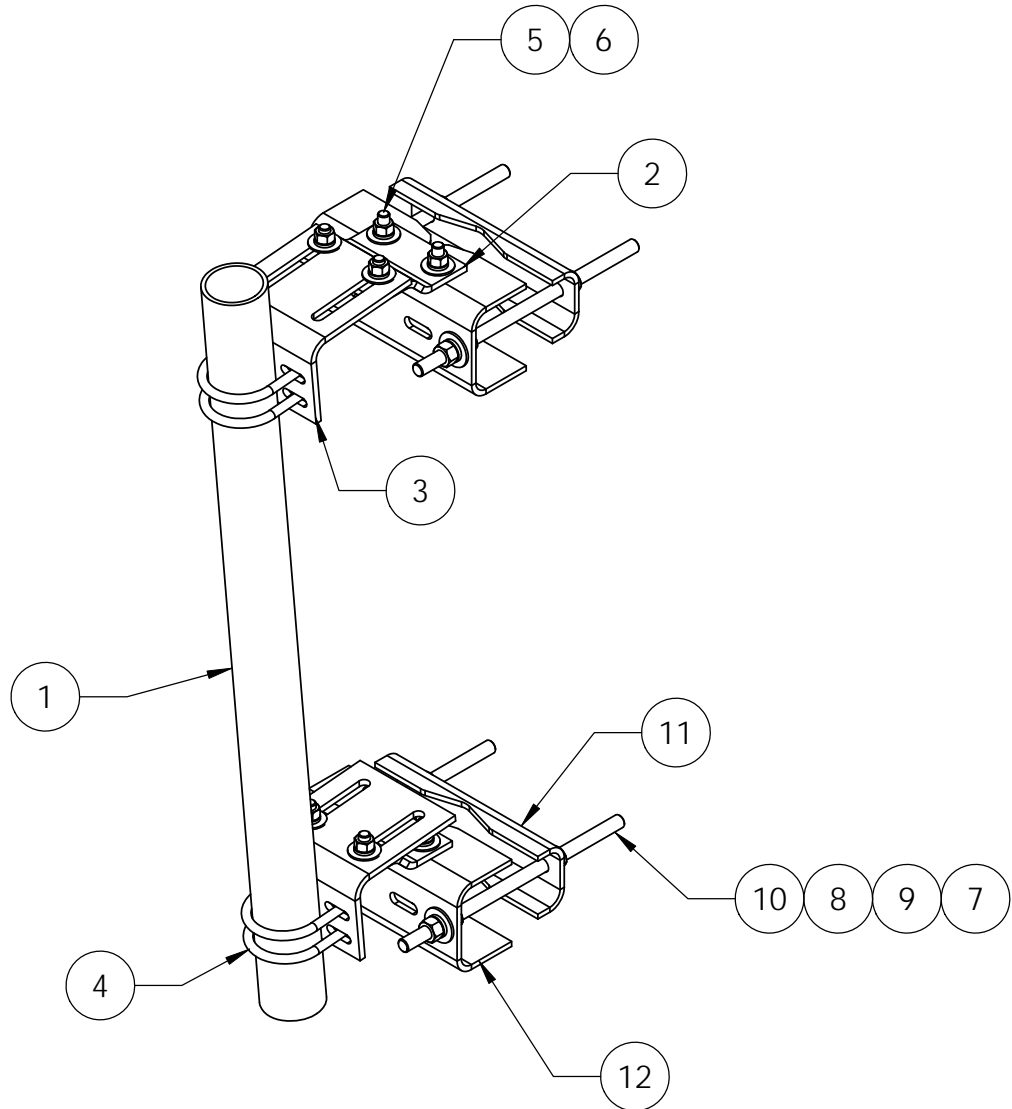
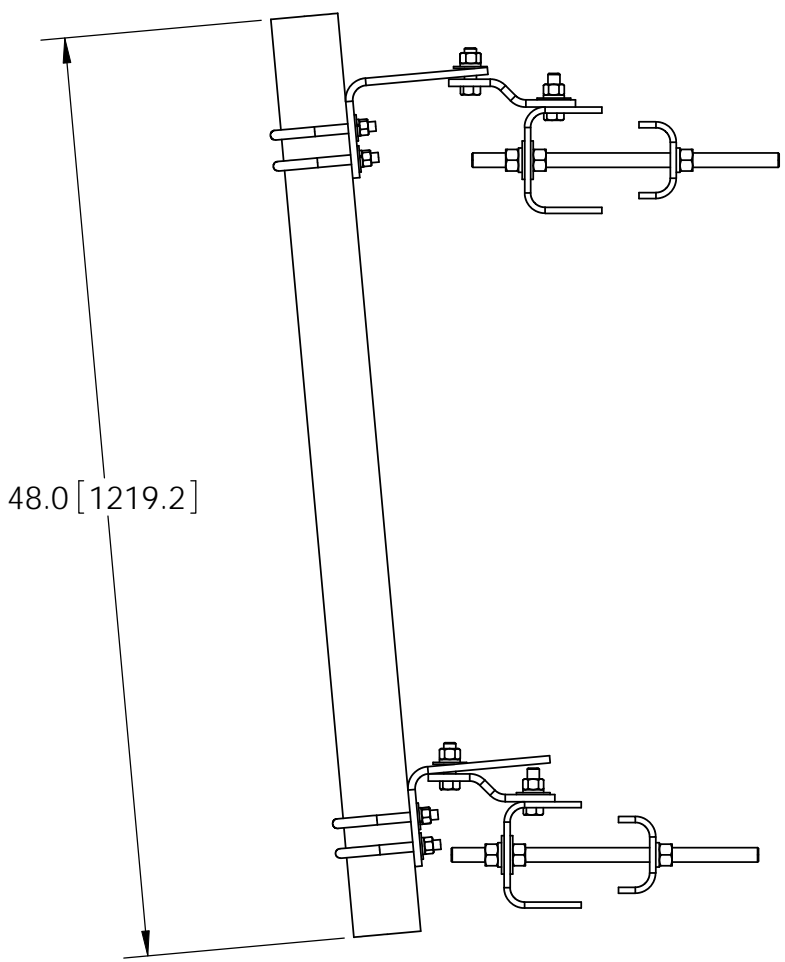
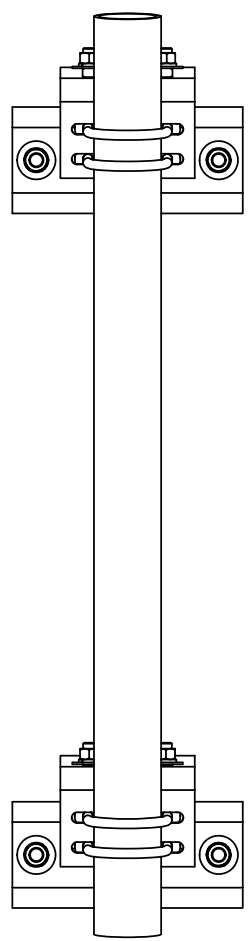


ITEM	PART NO.	DESCRIPTION	QTY.	WEIGHT
1	MT54748	Ø 3.5" O.D. X 48"	1	32.86 LBS
2	PMSL.01	S-BRACKET	2	4.26 LBS
3	PMSL.02	L-BRACKET	2	7.70 LBS
4	GUB-4355	1/2" X 3-5/8" X 5" GALV U-BOLT	4	0.71 LBS
5	GB-05205	5/8" X 2" GALV BOLT KIT	8	0.13 LBS
6	GWF-05	5/8" GALV FLAT WASHER	8	0.01 LBS
7	GN-06	3/4" GALV HEX NUT	12	0.33 LBS
8	GWF-06	3/4" GALV FLAT WASHER	8	0.10 LBS
9	GWL-06	3/4" GALV LOCK WASHER	8	0.09 LBS
10	MT-384-16	3/4" X 16" GALV THREADED ROD	4	1.99 LBS
11	SMU2080.06	CLAMP PLATE	2	6.43 LBS
12	SMU208004	MOUNT	2	12.15 LBS


REVISIONS				
REV.	ZONE	DESCRIPTION	BY	DATE
A		INITIAL RELEASE	MSM	10/19/11



Ø 3.5 [88.9]



NOTES:
1. ALL METRIC DIMENSIONS ARE IN BRACKETS.

<p>These drawings and specifications are the proprietary property of CommScope Inc. and may be used only for the specific purpose authorized in writing by CommScope Inc.</p> <p>ALL DIMENSIONS ARE IN INCHES U.O.S. TOLERANCES UNLESS OTHERWISE SPECIFIED: .X = ± .12 ANGLES ±2° .XX = ± .06 FRACTIONS ±1/32 .XXX = ± .03</p> <p>REMOVE BURRS AND BREAK EDGES .005</p> <p>DO NOT SCALE THIS PRINT</p>	DRAWN BY: MSM	SHEET: 1 of 1	PART NUMBER: PM-SU35-48
	CHECKED BY: TP	SCALE: NTS	DESCRIPTION: Pipe Mount Universal with 48" Long Pipe
	DATE: 10/19/11	MATERIAL: A36, A500	DRAWING TYPE: ASSEMBLY DRAWING
	REVISION: A	FINISH: GALV A123	 WESTCHESTER, IL. 60154 U.S.A.
	WEIGHT: 111.70		