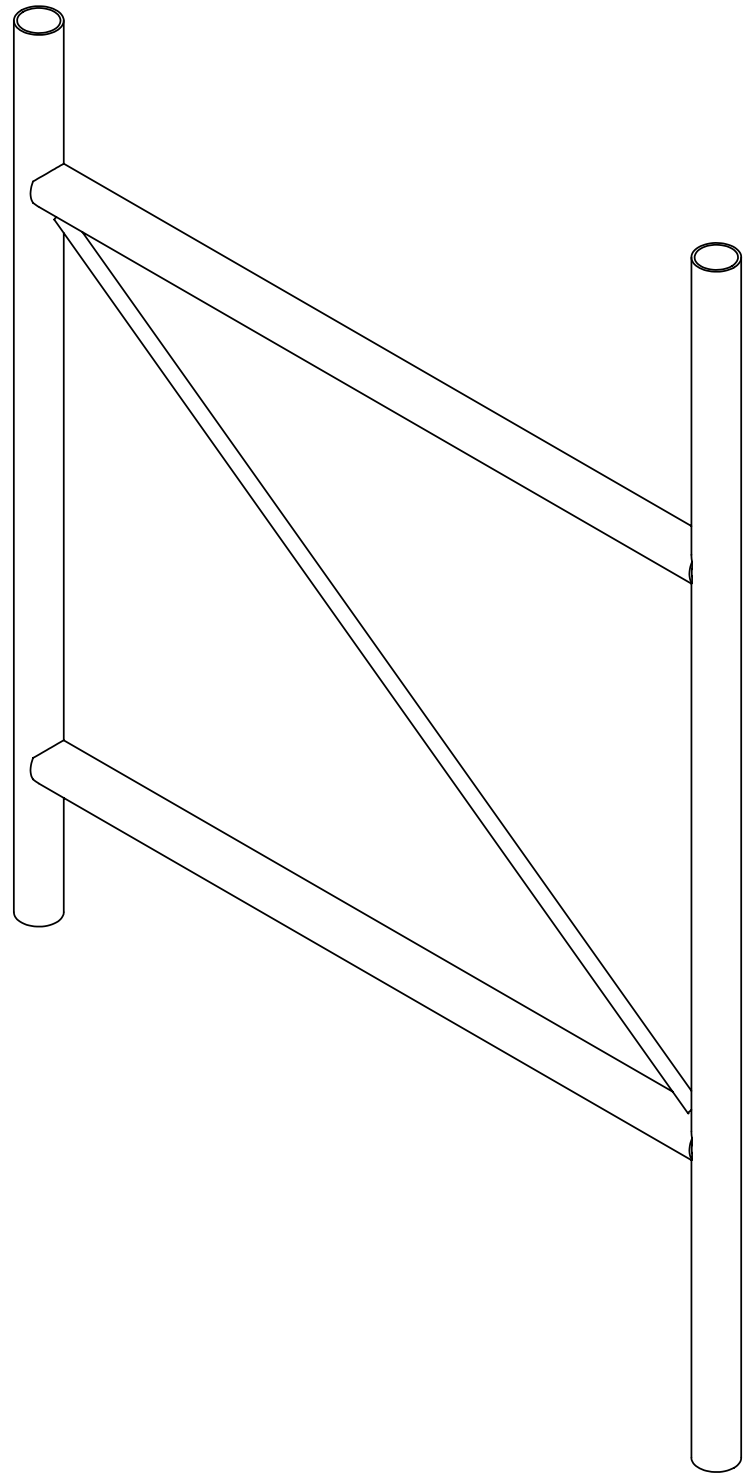
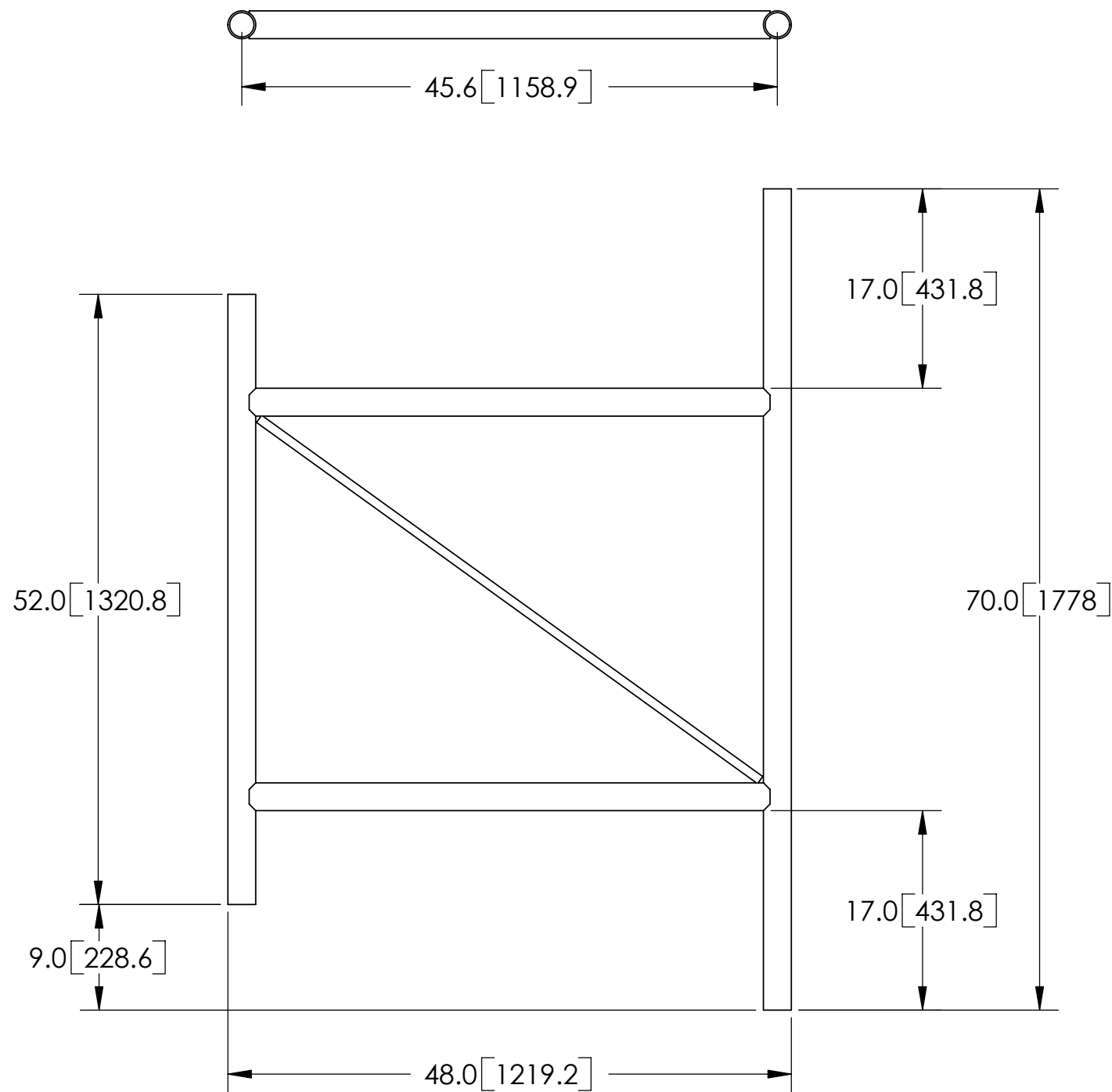


REVISIONS				
REV.	ZONE	DESCRIPTION	BY	DATE
A		INITIAL RELEASE	JTS	03/27/01
B		REVISED & REDRAWN	ACG	03/28/04
C		REMOVED STIFFARM TABS	ACG	11/09/04



NOTES:
1. ALL METRIC DIMENSIONS ARE IN BRACKETS.

These drawings and specifications are the proprietary property of ANDREW CORPORATION and may be used only for the specific purpose authorized in writing by Andrew Corporation. ALL DIMENSIONS ARE IN INCHES U.O.S. TOLERANCES UNLESS OTHERWISE SPECIFIED: .X = ± .06 ANGLES ±2° .XX = ± .03 FRACTIONS ±1/32 .XXX = ± .010 REMOVE BURRS AND BREAK EDGES .005 DO NOT SCALE THIS PRINT	DRAWN BY: ACG	SHEET: 1 of 1	PART NUMBER: P-400
	CHECKED BY: TP	SCALE: NTS	DESCRIPTION: 48" PANEL ANTENNA STAND-OFF BRACKET
	DATE: 04/01/05	MATERIAL: A53, A36	DRAWING TYPE: ASSEMBLY DRAWING
	REVISION: C	FINISH: GALV A123	WEIGHT: 70.30 LBS

