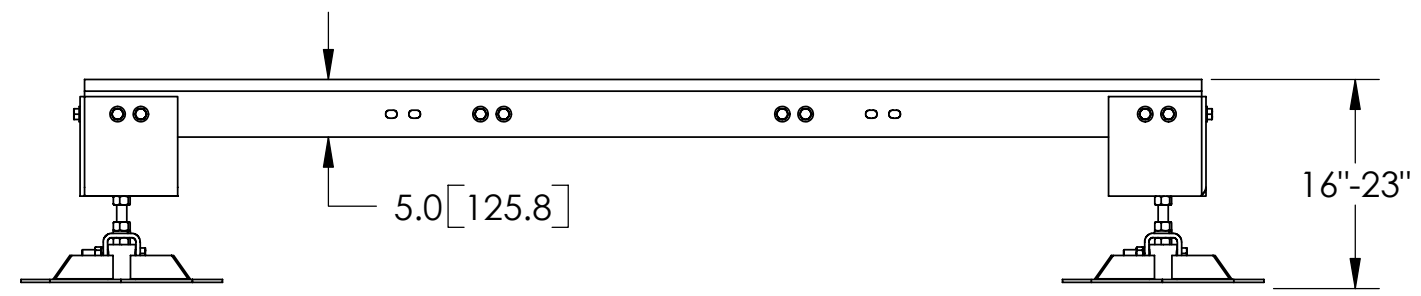
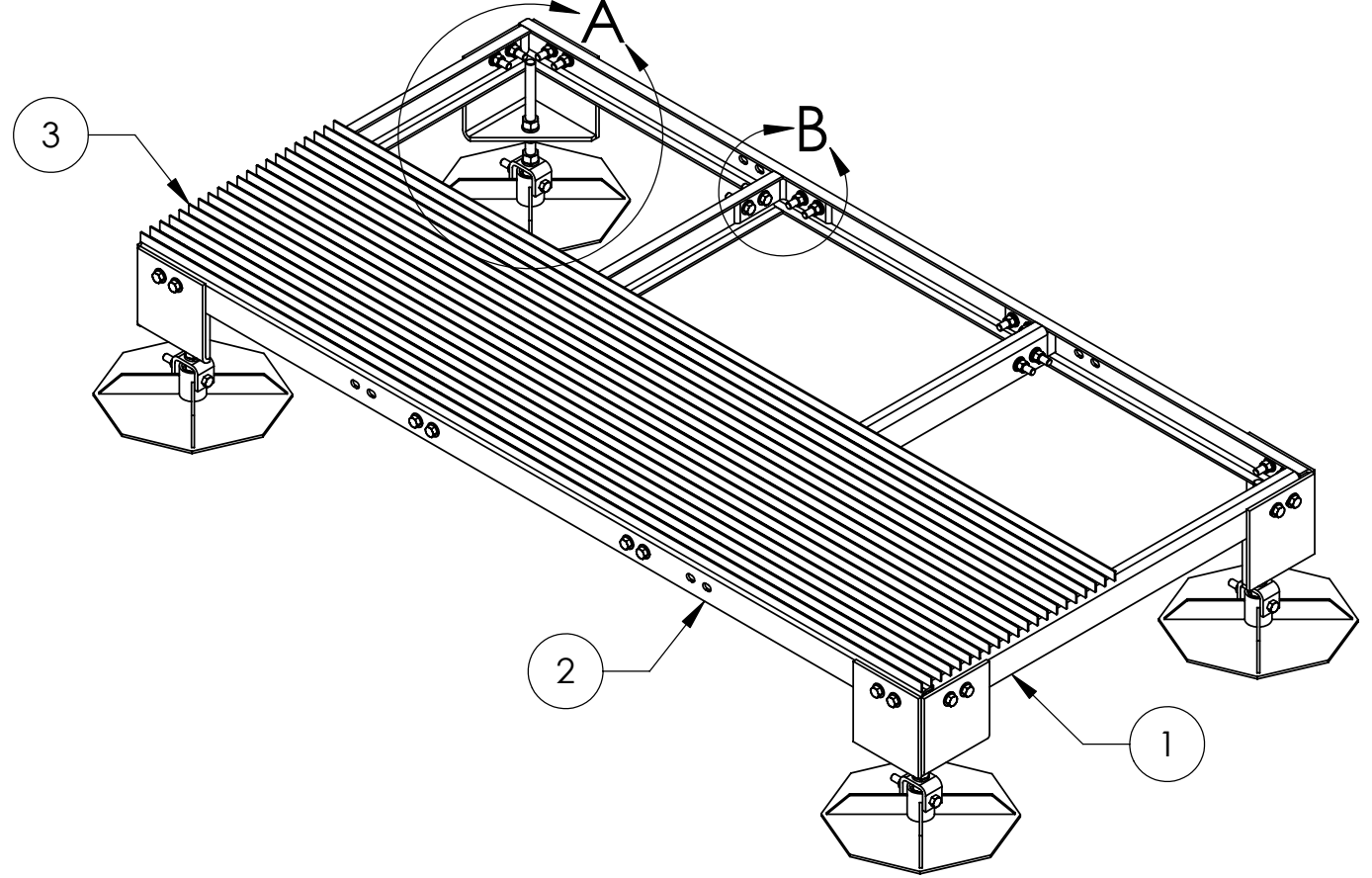
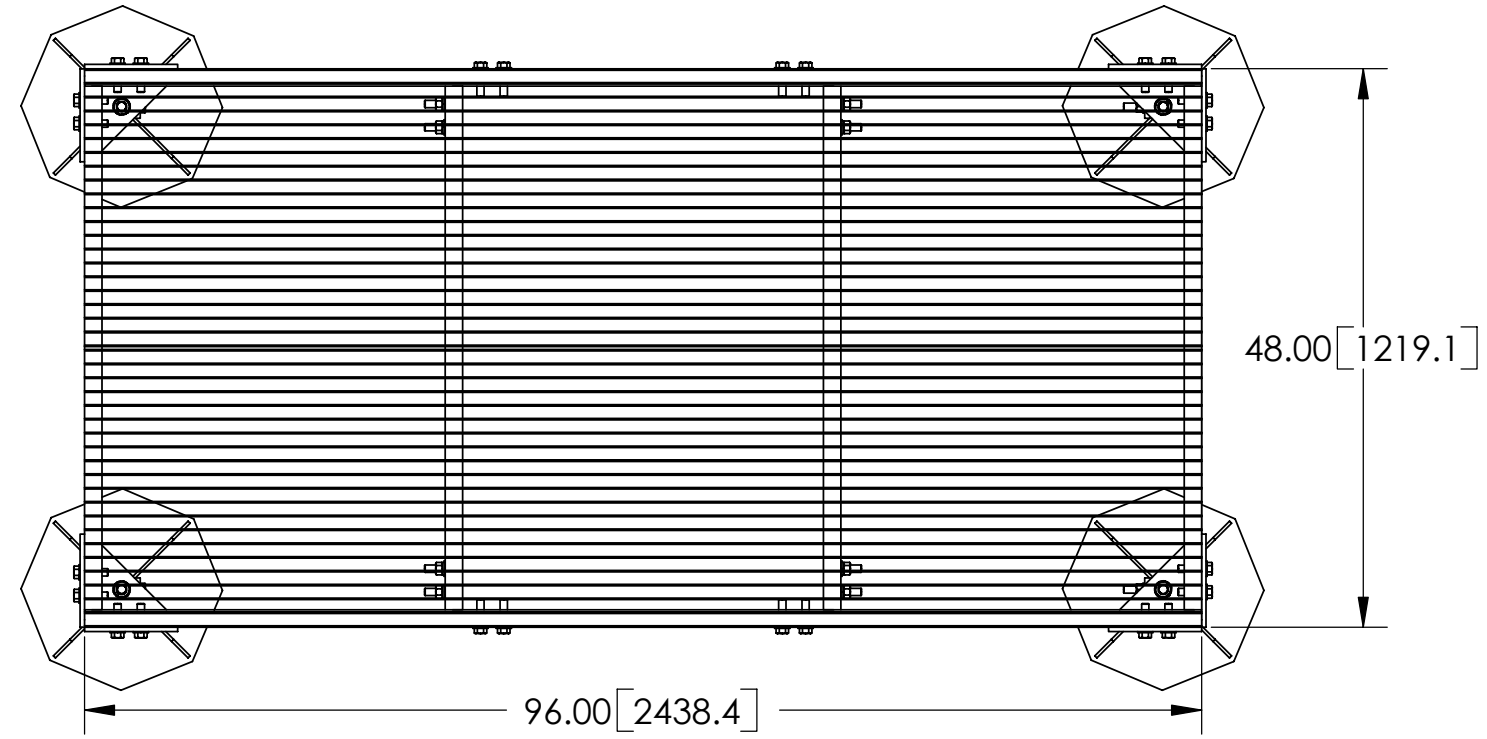
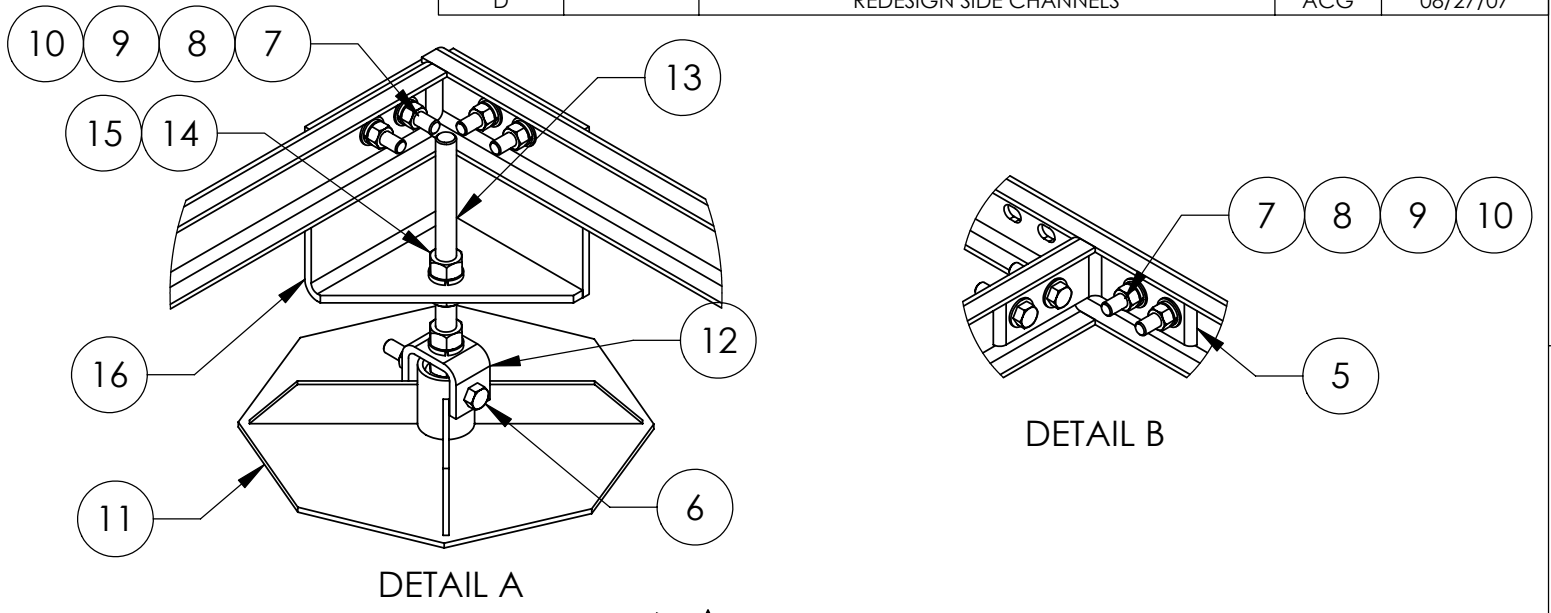



ITEM	PART NO.	DESCRIPTION	QTY.	WEIGHT
1	MTC9336.02	45" CENTER FORMED CHANNEL	4	18.91 LBS
2	MTC9336.14	96" SIDE FORMED CHANNEL	2	40.19 LBS
3	MTC9336.13	24" X 96" BAR GRATING (.125" X 1.0" BARS)	2	114.17 LBS
4	MTC9336DFH	HARDWARE KIT (ITEMS 5-17)	1	
5	MTC9336.04	CHANNEL ADAPTER ANGLE	4	2.80 LBS
6	GB-05505	5/8" X 5" GALV BOLT KIT	4	0.16 LBS
7	MTC9402	5/8" X 2-1/2" GALV BOLT FULL THREAD GRD5	32	0.16 LBS
8	GN-05	5/8" GALV HEX NUT	32	0.01 LBS
9	GWL-05	5/8" GALV LOCK WASHER	32	0.00 LBS
10	GWF-05	5/8" GALV FLAT WASHER	64	0.01 LBS
11	EQPDF.05	BASE FOOT	4	19.44 LBS
12	EQPDF.08	PIVOT CLIP	4	1.30 LBS
13	MT3847812	7/8" X 12" GALV THREADED ROD	4	2.03 LBS
14	GN-07	7/8" GALV HEX NUT	16	0.01 LBS
15	GWL-07	7/8" GALV LOCK WASHER	8	0.00 LBS
16	MTC9336.07	FOOT SUPPORT	4	17.74 LBS
17	GCM03	GRATING CLIP (NOT SHOWN)	8	0.12 LBS

REVISIONS				
REV.	ZONE	DESCRIPTION	BY	DATE
A		INITIAL RELEASE	ACG	03/09/06
B		CHANGED BOLTS TO FULL THREAD	AW	06/18/07
C		ADDED SPLICE PLATES	ACG	08/09/07
D		REDESIGN SIDE CHANNELS	ACG	08/27/07



These drawings and specifications are the proprietary property of ANDREW CORPORATION and may be used only for the specific purpose authorized in writing by ANDREW CORPORATION.

NOTES:
1. ALL METRIC DIMENSIONS ARE IN BRACKETS.

<small>These drawings and specifications are the proprietary property of ANDREW CORPORATION and may be used only for the specific purpose authorized in writing by Andrew Corporation.</small> ALL DIMENSIONS ARE IN INCHES U.O.S. TOLERANCES UNLESS OTHERWISE SPECIFIED: .X = ± .06 ANGLES ±2° .XX = ± .03 FRACTIONS ±1/32 .XXX = ± .010 REMOVE BURRS AND BREAK EDGES .005 DO NOT SCALE THIS PRINT	DRAWN BY: ACG	SHEET: 1 of 1	PART NUMBER: MTC9336B4DF
	CHECKED BY: TP	SCALE: NTS	DESCRIPTION: 4' X 8' LIGHT PLATFORM W/ 4 DF FOOTPADS
	DATE: 03/09/06	MATERIAL: A36, A568	DRAWING TYPE: ASSEMBLY DRAWING
	REVISION: D	FINISH: GALV A123 WEIGHT: 574.92 LBS	 ORLAND PARK, IL. 60462 U.S.A.