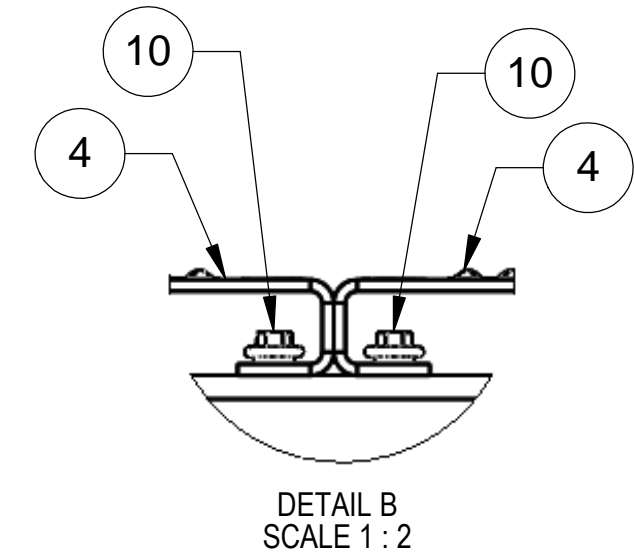
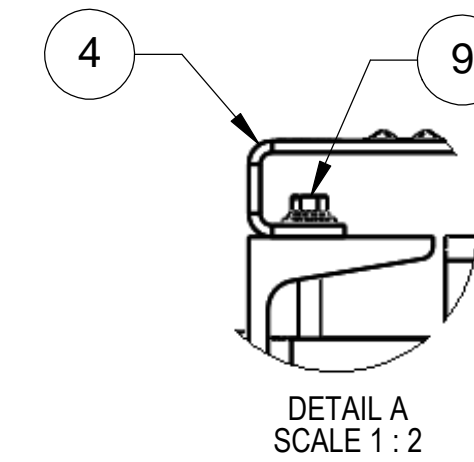
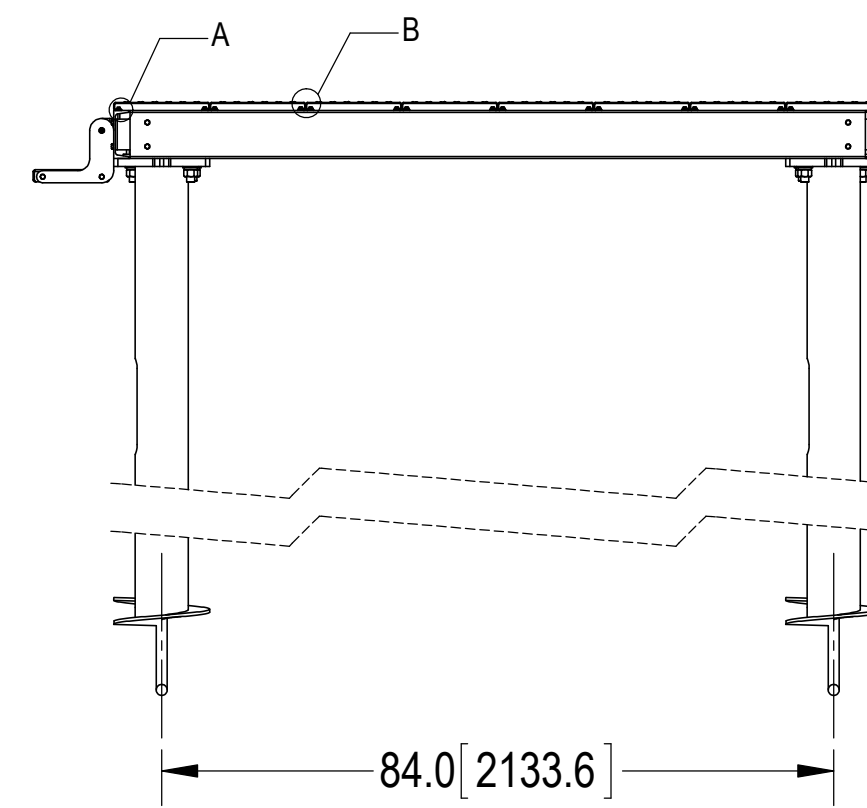
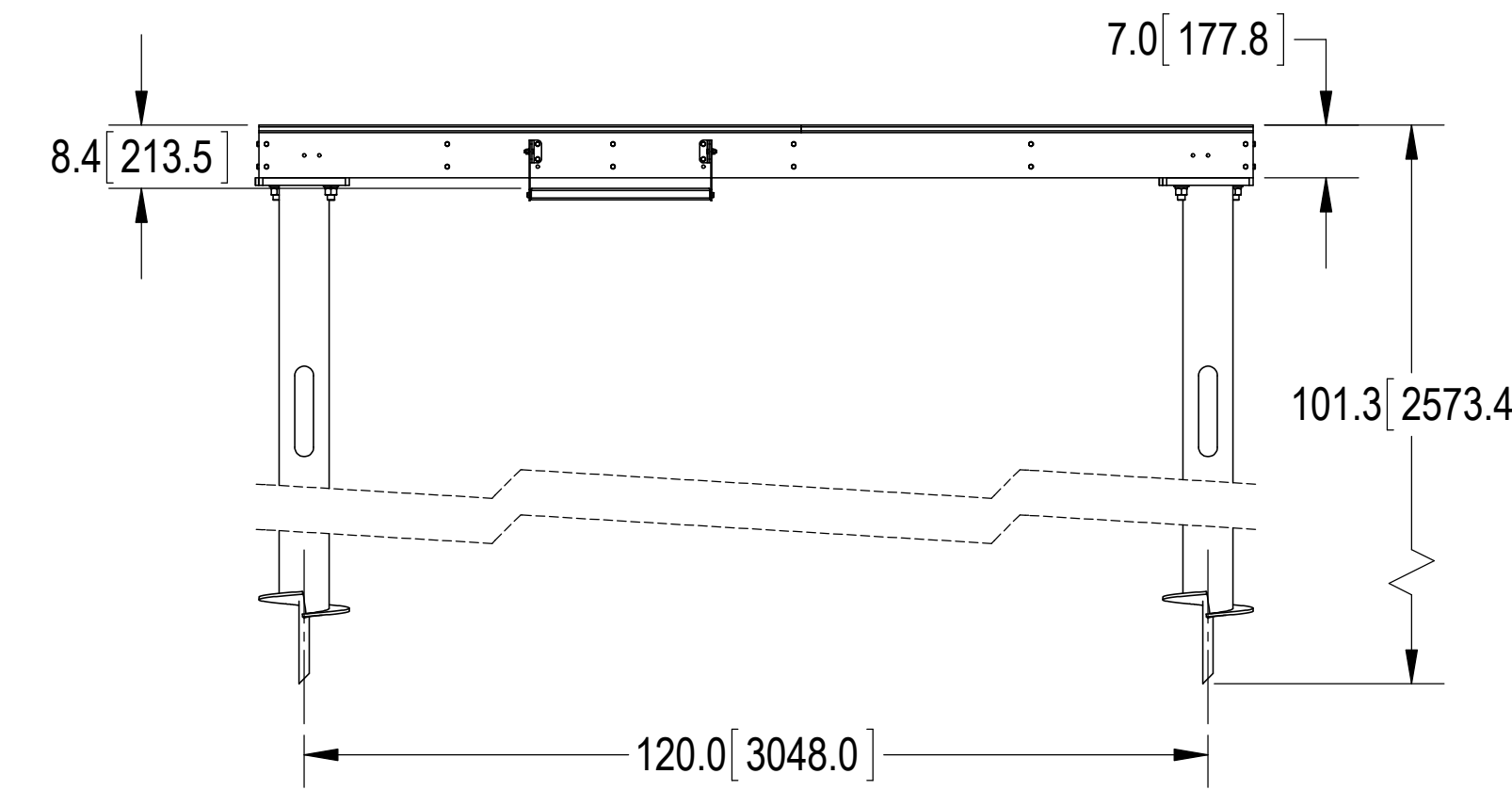
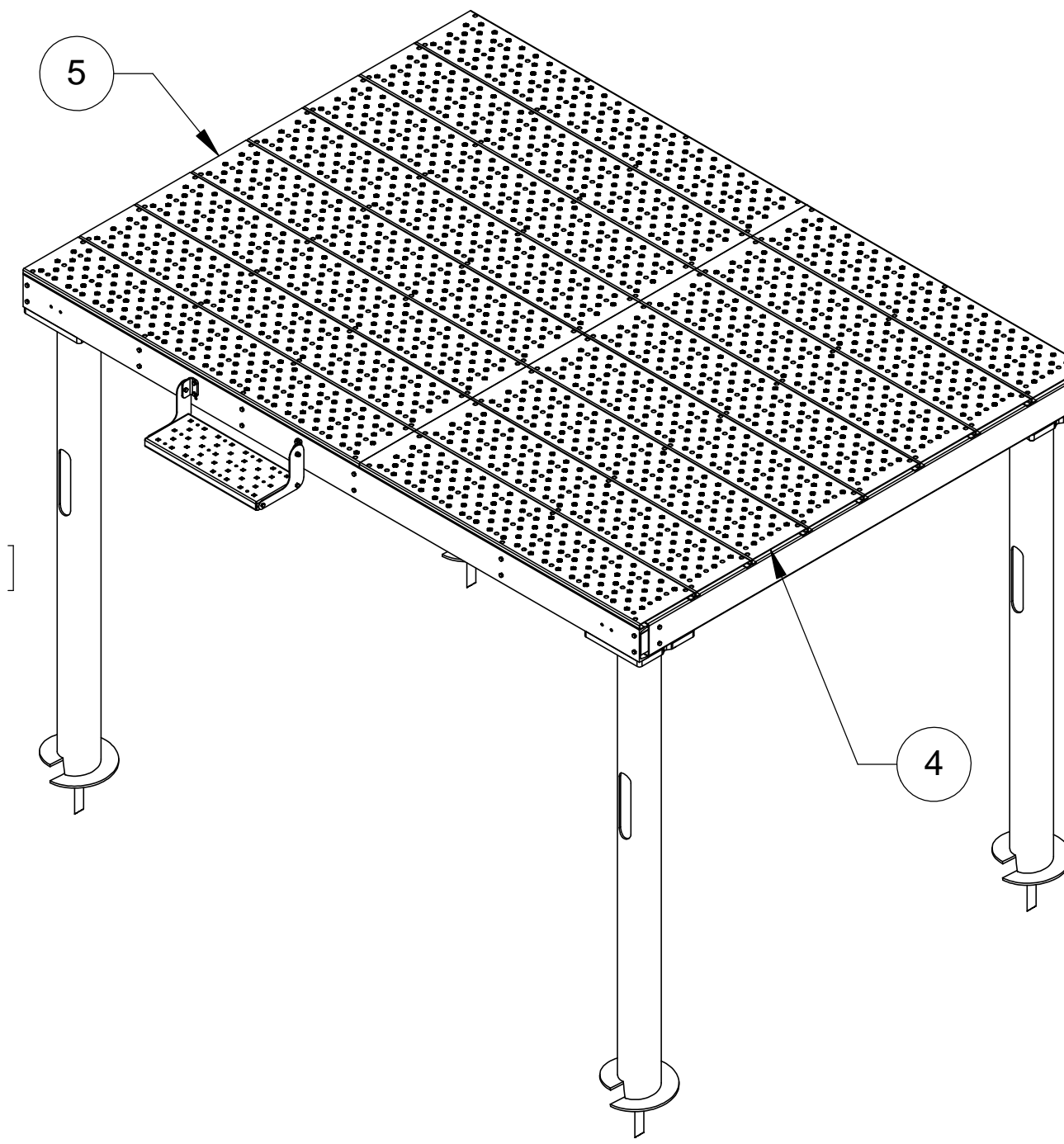
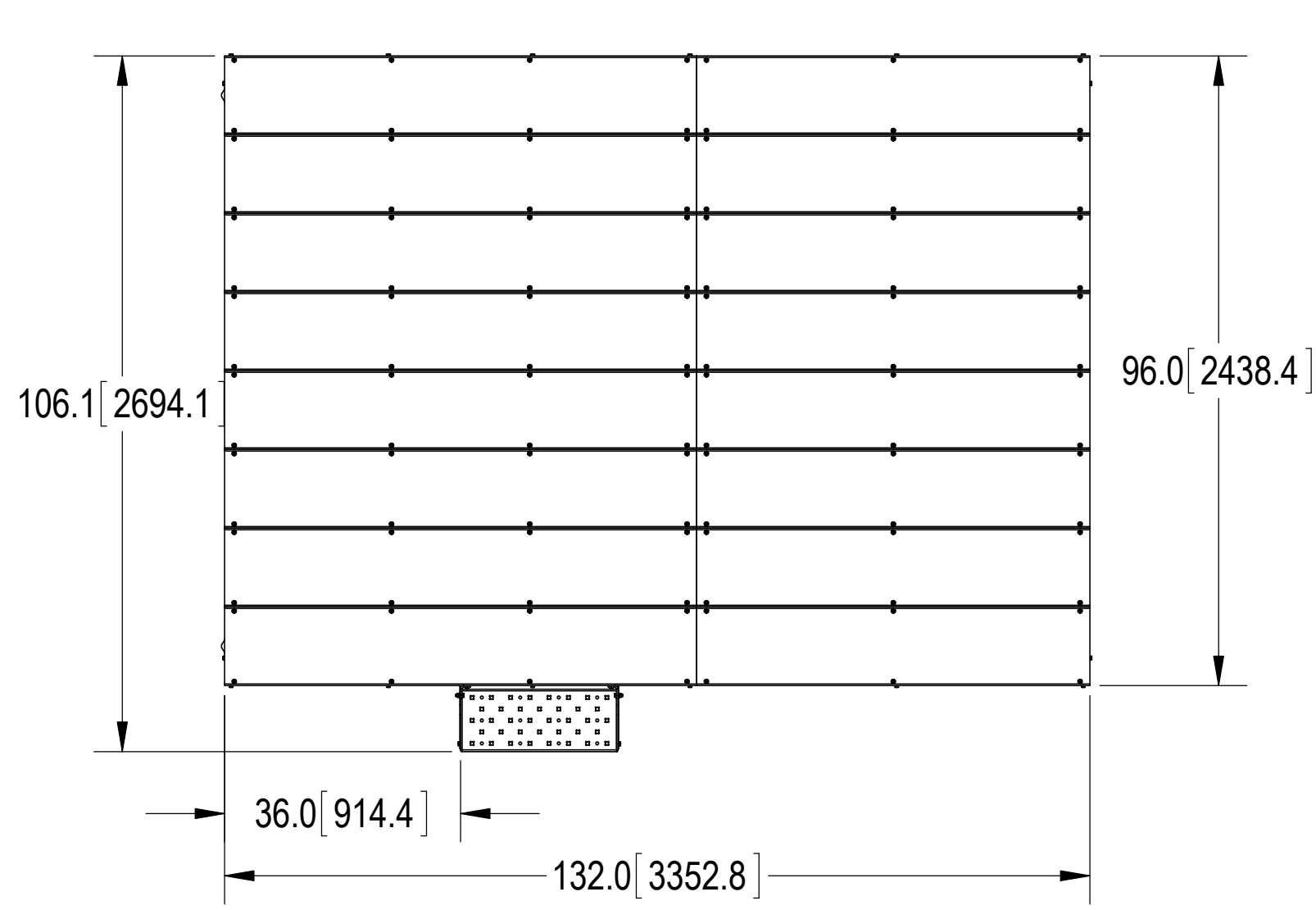


NOTES:
1.0 ALL METRIC DIMENSIONS ARE IN BRACKETS.

REVISIONS				
REV.	ECN	DESCRIPTION	BY	DATE
A	8000028419	INITIAL RELEASE	RJC	02/20/18



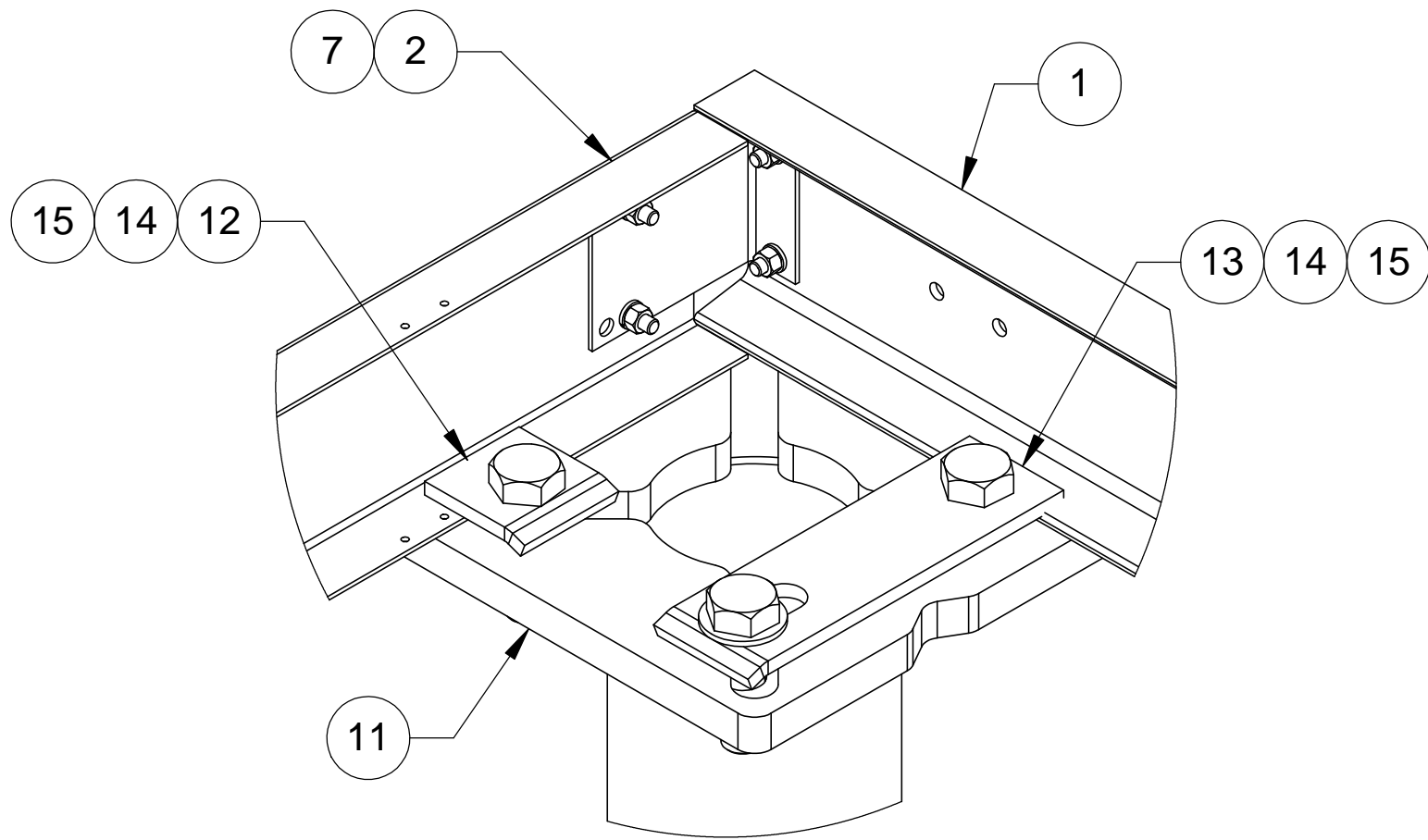
ITEM	PART NO.	DESCRIPTION	QTY.	WEIGHT	NOTE NO.
1	MTC398903	CHANNEL, 11' PLATFORM	2	90.51 LBS	
2	MTC398904	CHANNEL, FORMED 6" X 8" PLATFORM	7	28.99 LBS	
3	MTC398905	BRACKET, CHANNEL ADAPTER	12	0.82 LBS	
4	MTC398960	DECK, 5' FORMED	8	29.70 LBS	
5	MTC398972	DECK, FORMED	8	35.60 LBS	
6	MTC3922S	STEP FOR LIGHT DUTY PLATFORM	1	15.01 LBS	
7	GB-03105	3/8" X 1" GALV BOLT KIT	48	0.05 LBS	
8	GB-03145	3/8" X 1-1/2" GALV BOLT KIT	4	0.07 LBS	
9	TS1220	12-24 X 2" SELF DRILLING SCREW	14	0.03 LBS	
10	TS1275	TEK SCREW #12 X 3/4, WITH NEOPRENE WASHER	98	0.02 LBS	
11	MTC3989HA07	ANCHOR, HELICAL	4	179.03 LBS	
12	MTC397901	PINCH PLATE	4	0.90 LBS	
13	MTC397902	PINCH PLATE, LONG	4	2.84 LBS	
14	GB-0828A	1"-8 X 3-1/2" GALV BOLT KIT (A325)	12	1.10 LBS	
15	GWF-08	1" Galv Flat Washer	16	0.09 LBS	

DENSITY	0.28	lbs/in ³
MASS	1664.55	lbs
VOLUME		in ³
SURFACE AREA		in ²
HEIGHT		
LENGTH		
WIDTH		

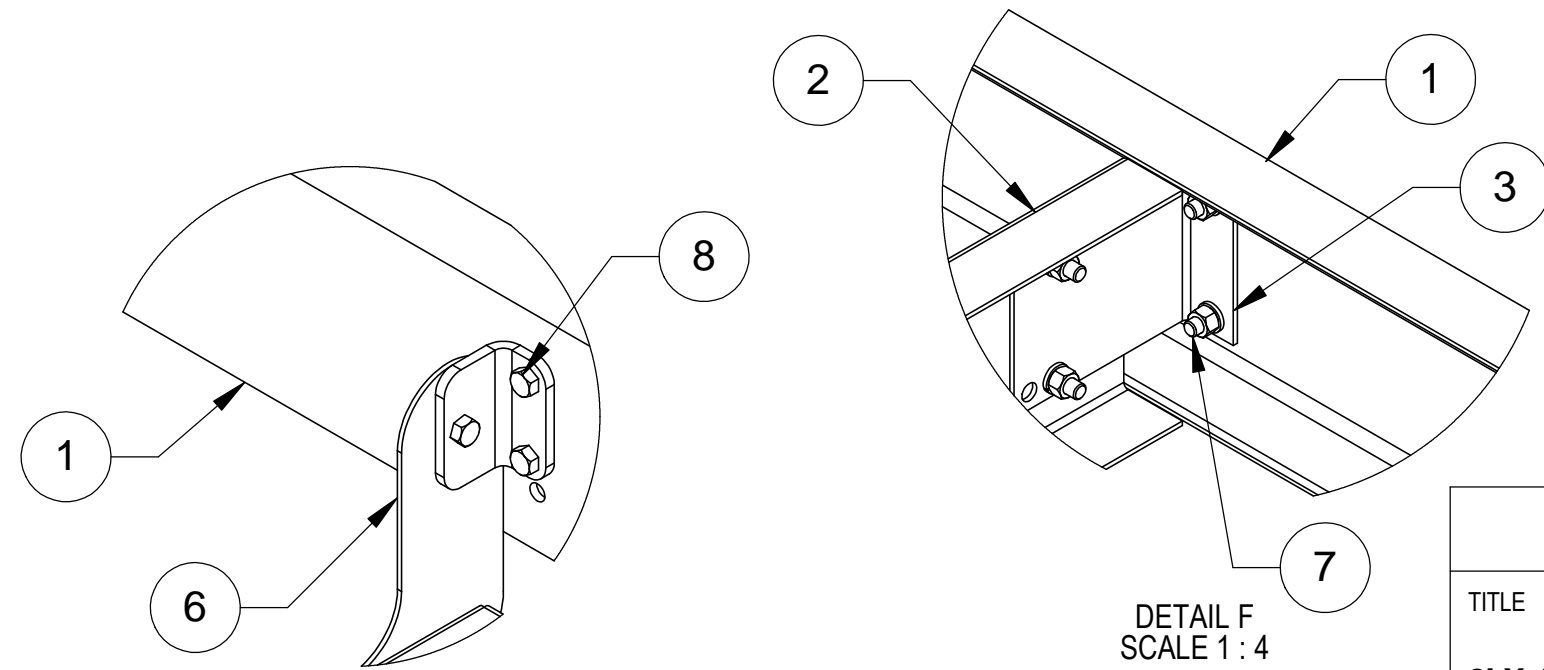
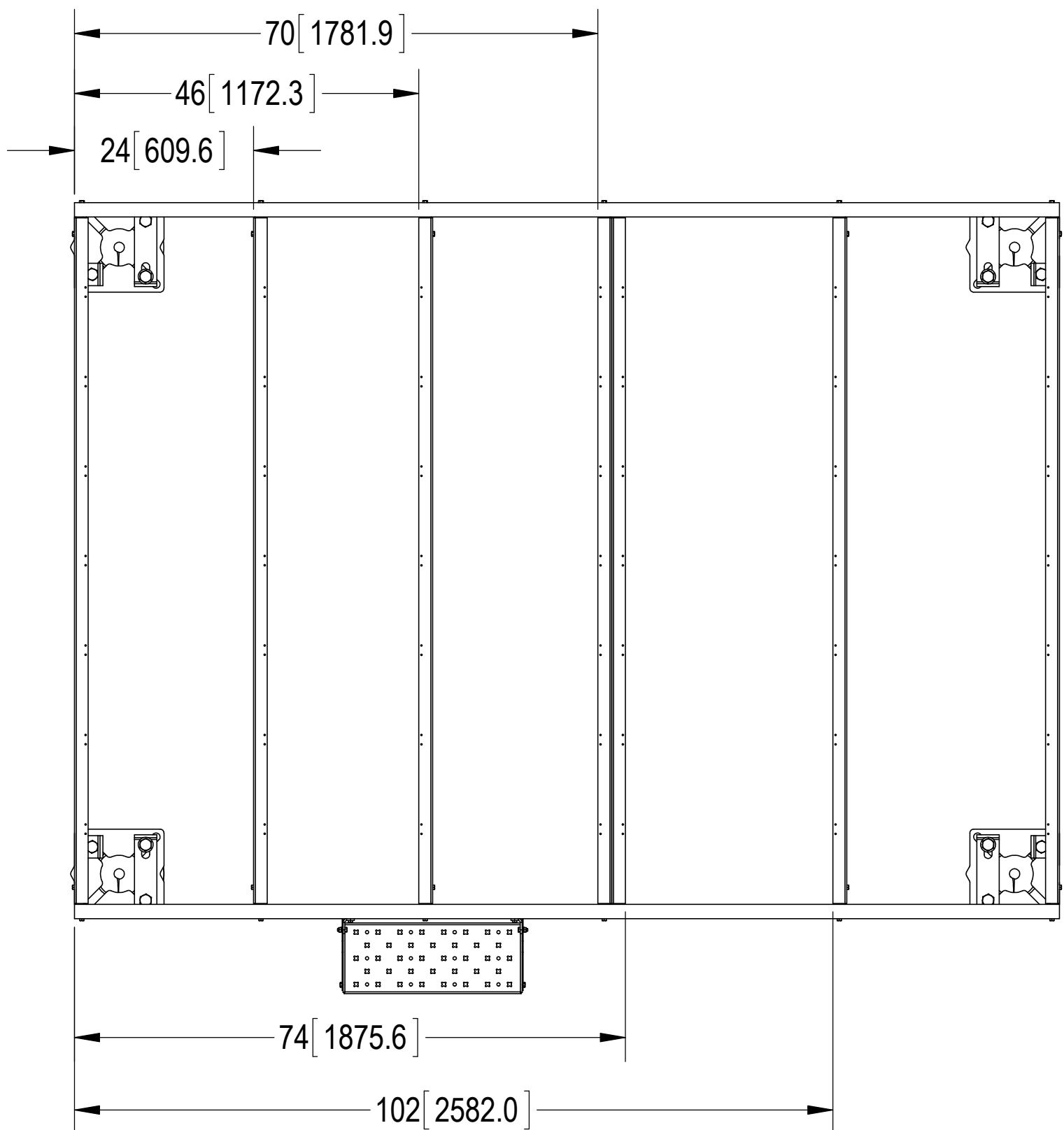
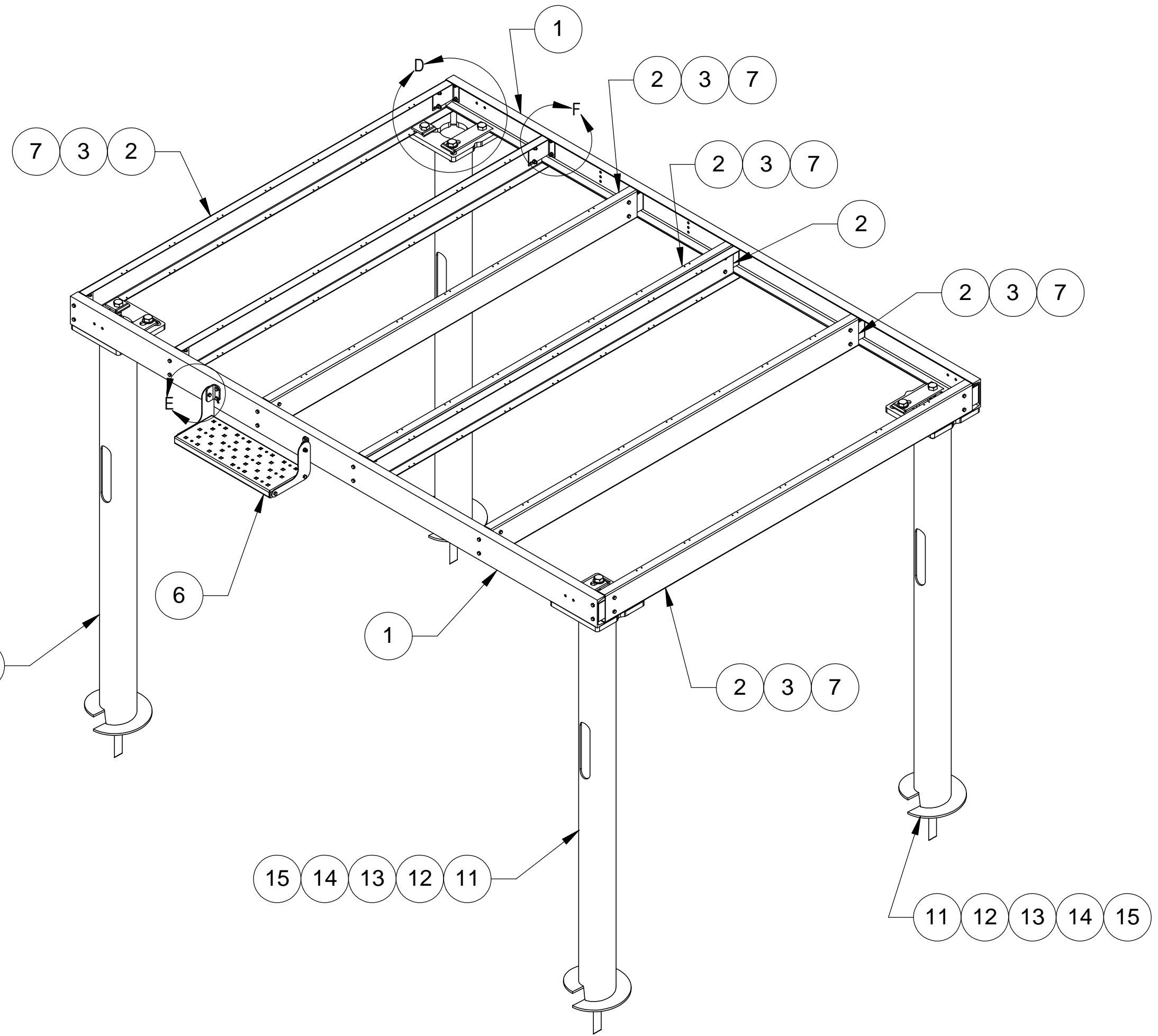
COMMSCOPE, INC. OF NORTH CAROLINA

TOLERANCES		SAP MATERIAL MASTER	
0 PLACE X ± .25	2 PLACE .XX ± .06	MTC4018AR	
1 PLACE .X ± .12	ANGLES ± 2°		
FINISH		MATERIAL	
GALV A123		A1011/A1018, A529	
UNLESS OTHERWISE SPECIFIED DIMENSIONS ARE IN MILLIMETERS INTERPRET PER ISO STANDARDS HANDBOOK TECHNICAL DRAWINGS VOLUMES 1 & 2, THIRD EDITION (2002)		NAME	DATE
CE	RJC	11/14/17	TITLE
RW			8' X 11' PLATFORM, HELICAL ANCHORS
RV			
AD			SCALE
RE	TP	11/14/17	DOCUMENT NO.
ECN	8000028419		1:24 MTC4018AR
SIZE	WORK AREA	MODEL	DRAWING
C		VERSION	STATUS
		REVISION	REVISION
		VERSION	STATUS
		REVISION	REVISION
			A
			SHEET 1 OF 2

NOTES:
1.0 ALL METRIC DIMENSIONS ARE IN BRACKETS.



DETAIL D
SCALE 1:4



DETAIL E
SCALE 1:4

DETAIL F
SCALE 1:4

© 2015 CommScope, Inc. Confidential

COMMSCOPE, INC. OF NORTH CAROLINA				
TITLE 8' X 11' PLATFORM, HELICAL ANCHORS				
SIZE C	SCALE 1:18	DOCUMENT NO. MTC4018AR		
DRAWING		VERSION	STATUS	REVISION
				A
				SHEET 2 OF 2