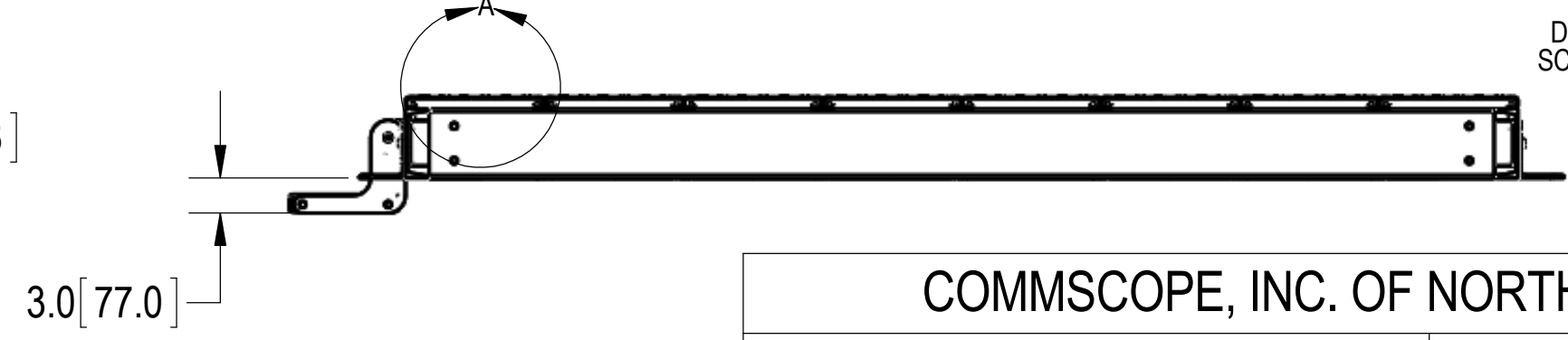
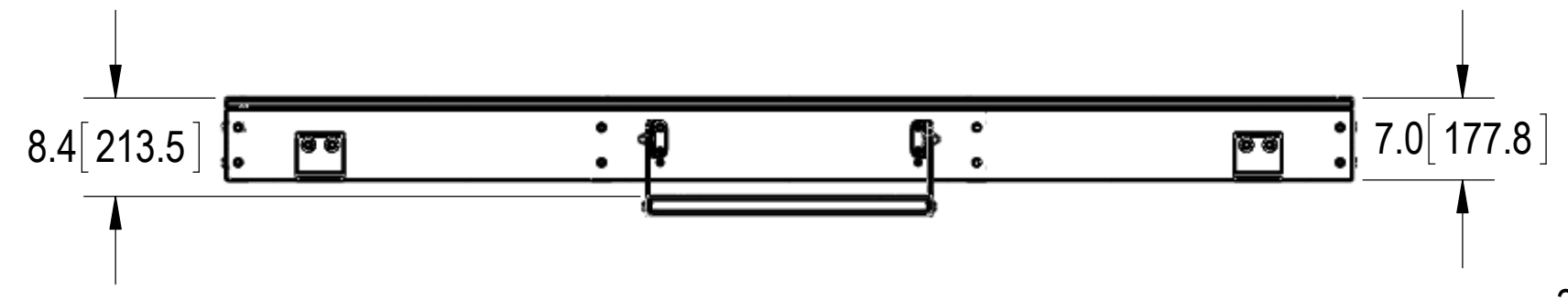
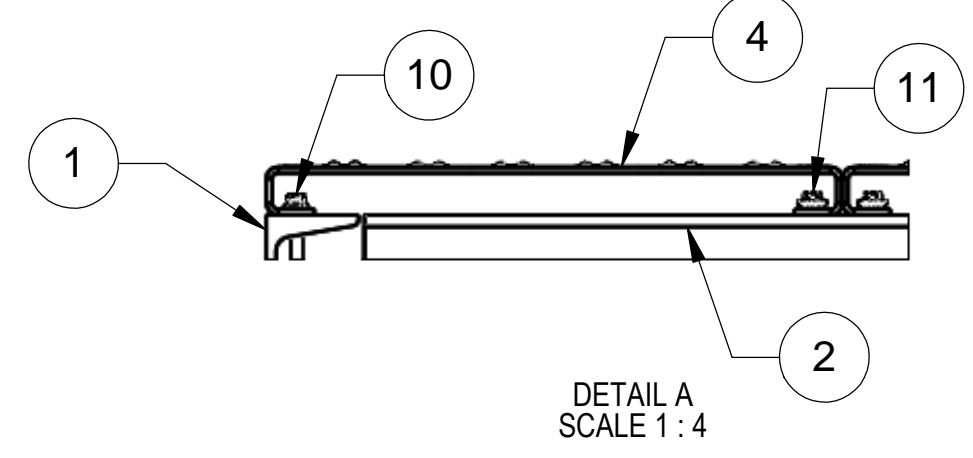
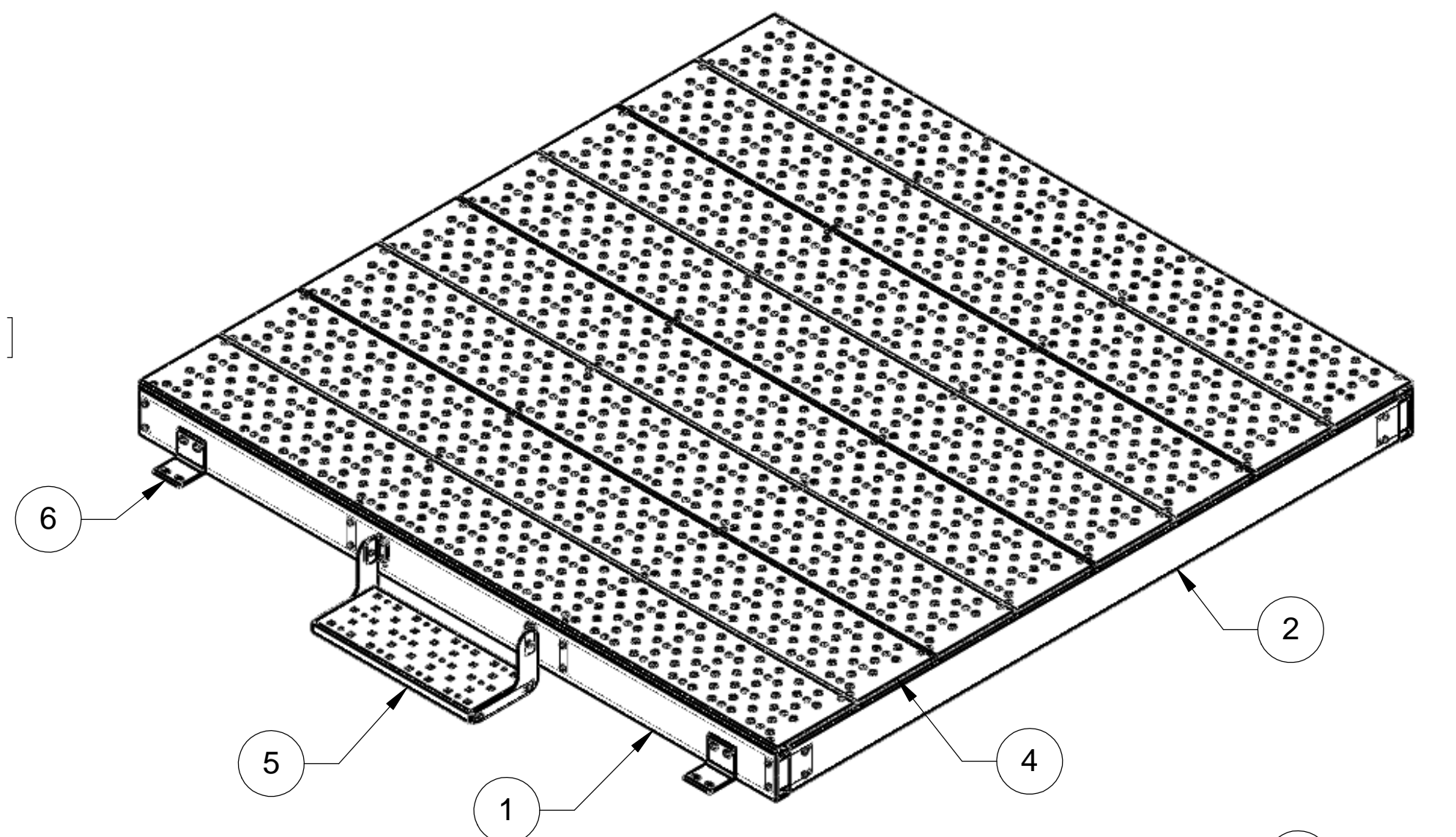
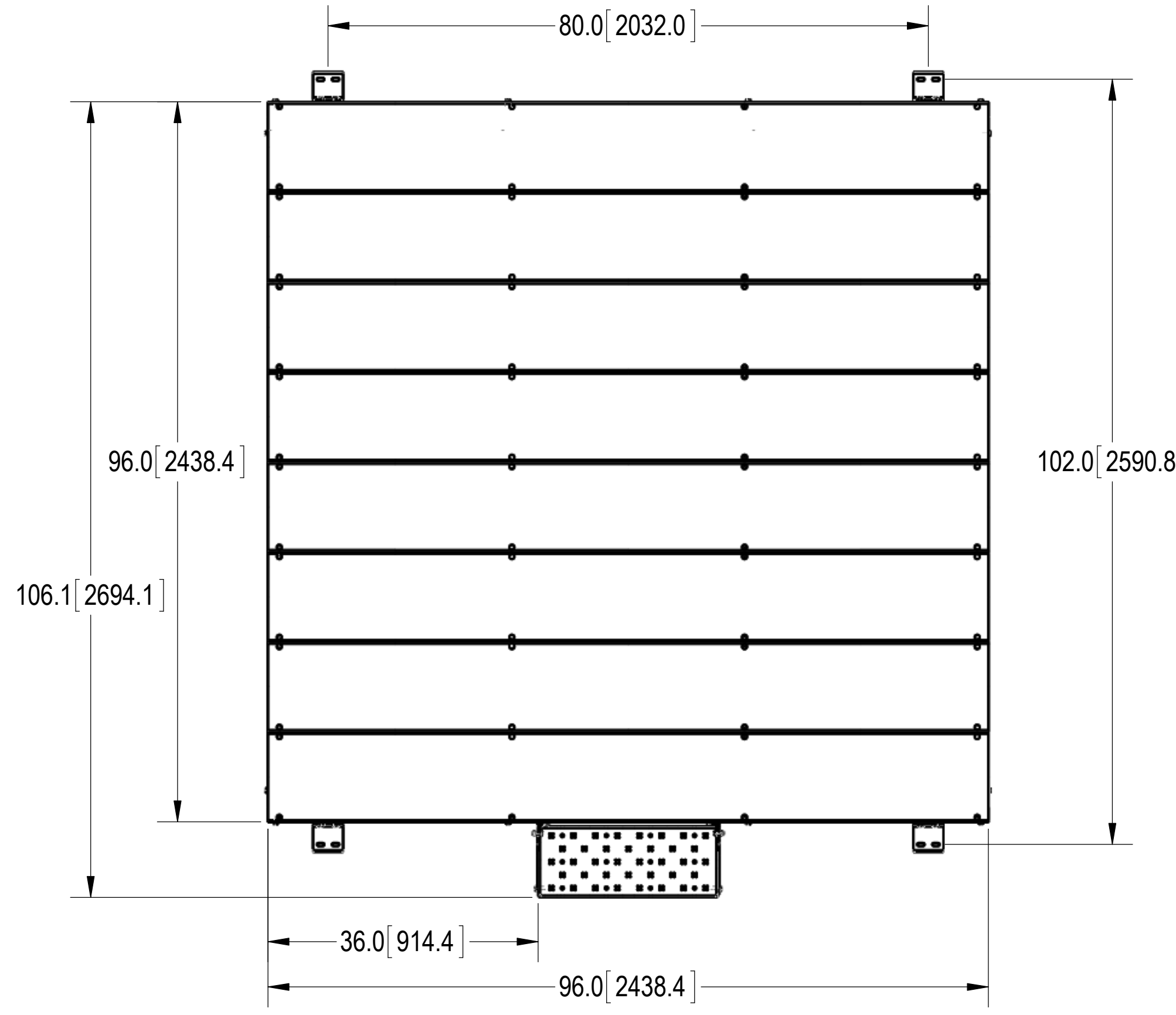


NOTES:
1.0 ALL METRIC DIMENSIONS ARE IN BRACKETS.

REVISIONS				
REV.	ECN	DESCRIPTION	BY	DATE
A	8000028395	INITIAL RELEASE	RJC	02/15/18



ITEM	PART NO.	DESCRIPTION	QTY.	WEIGHT	NOTE NO.
1	MTC398801	CHANNEL, 8' PLATFORM	2	65.80 LBS	
2	MTC398904	CHANNEL, FORMED 6" X 8' PLATFORM	4	28.99 LBS	
3	MTC398905	BRACKET, CHANNEL ADAPTER	8	0.82 LBS	
4	MTC398996	DECK, 8' FORMED	8	47.49 LBS	
5	MTC3922S	STEP FOR LIGHT DUTY PLATFORM	1	15.01 LBS	
6	MTC398703	BRACKET, PIER MOUNTING	4	2.08 LBS	
7	GB-03105	3/8" X 1" GALV BOLT KIT	32	0.05 LBS	
8	GB-03145	3/8" X 1-1/2" GALV BOLT KIT	12	0.07 LBS	
9	GW-03	3/8" FLAT WASHER	8	0.01 LBS	
10	TS1220	12-24 X 2" SELF DRILLING SCREW	8	0.03 LBS	
11	TS1275	TEK SCREW #12 X 3/4, WITH NEOPRENE WASHER	56	0.02 LBS	

COMMScope, INC. OF NORTH CAROLINA

TOLERANCES
0 PLACE X ± .25 2 PLACE .XX ± .06
1 PLACE .X ± .12 ANGLES ± 2°

SAP MATERIAL MASTER
MTC3988PF

FINISH: **GALV A123** MATERIAL: **A1011/A1018, A529**

UNLESS OTHERWISE SPECIFIED DIMENSIONS ARE IN MILLIMETERS INTERPRET PER ISO STANDARDS HANDBOOK TECHNICAL DRAWINGS VOLUMES 1 & 2, THIRD EDITION (2002)	CE	NAME	DATE	TITLE	
	RW	MRC	11/14/17	8' X 8' PLATFORM, PIER ATTACHMENTS	
	RV				
	AD			SCALE	DOCUMENT NO.
	RE	TP	11/14/17	1:15	MTC3988PF

ECN: **8000028395**

SIZE	WORK AREA	MODEL	DRAWING			SHEET 1 OF 2		
C		VERSION	STATUS	REVISION	VERSION		STATUS	REVISION
								A

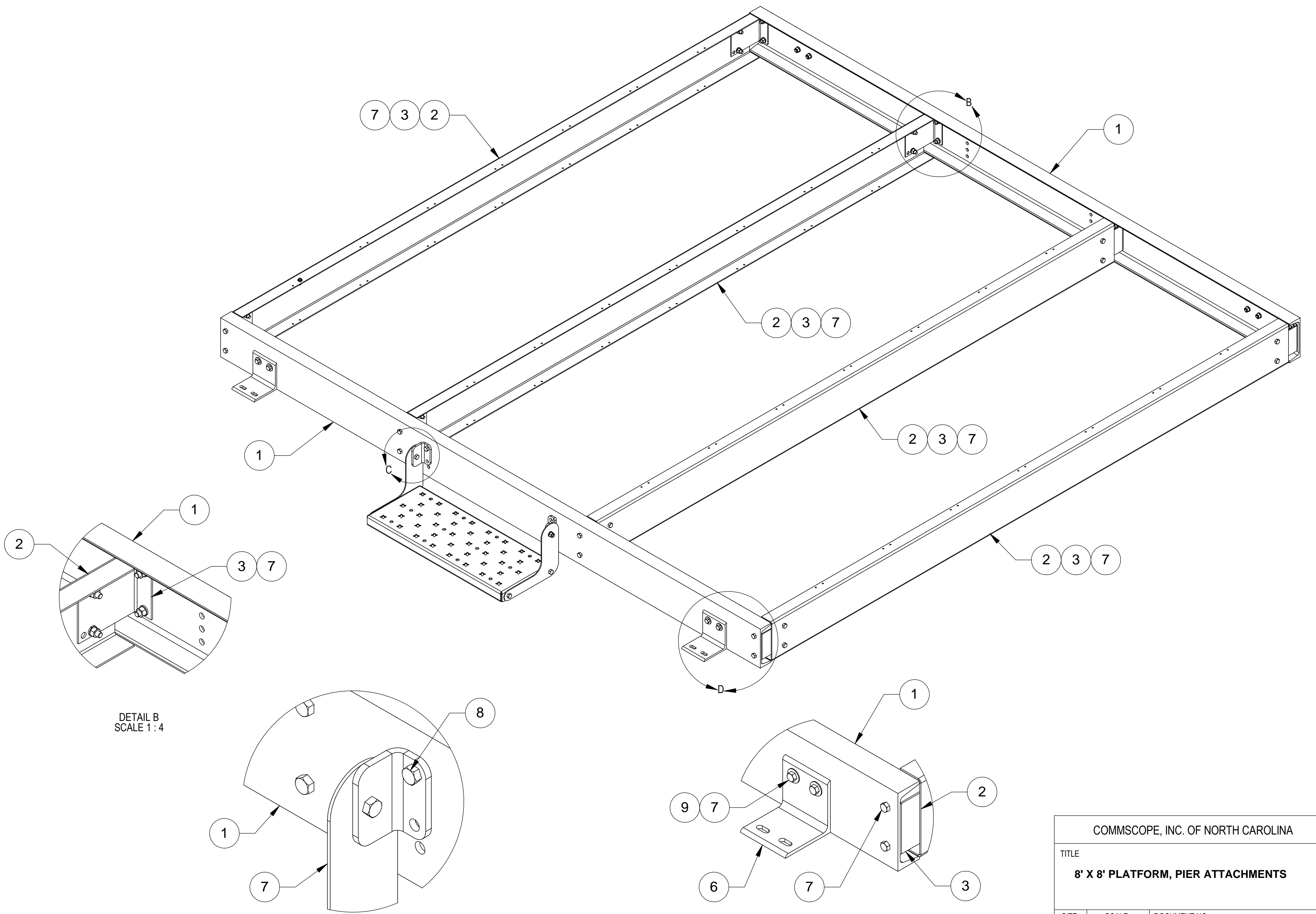
4

3

2

1

NOTES:
1.0 ALL METRIC DIMENSIONS ARE IN BRACKETS.



DETAIL B
SCALE 1 : 4

DETAIL C
SCALE 1 : 2

DETAIL D
SCALE 1 : 4

COMMSCOPE, INC. OF NORTH CAROLINA				
TITLE 8' X 8' PLATFORM, PIER ATTACHMENTS				
SIZE C	SCALE 1:8	DOCUMENT NO. MTC3988PF		
		DRAWING		SHEET
		VERSION	STATUS	REVISION
				A
				2 OF 2

© 2015 CommScope, Inc. Confidential

4

3

2

1