

4

3

2

1

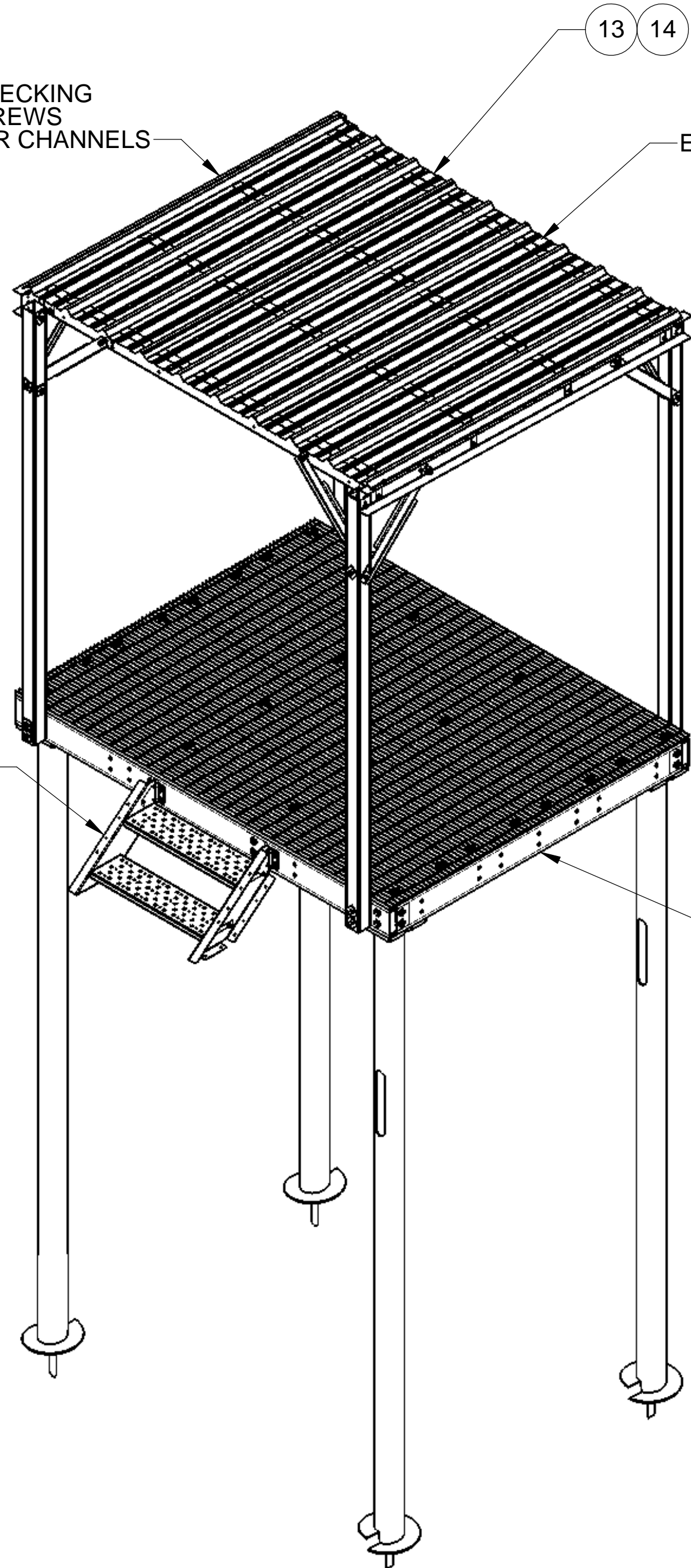
NOTES:

1.0 ALL METRIC DIMENSIONS ARE IN BRACKETS.

REVISIONS				
REV.	ECN	DESCRIPTION	BY	DATE
A	8000028797	INITIAL RELEASE	RJC	03/07/18
B	8000029849	ADDED SHEETS FOR DETAILS & CALLOUTS	RJC	06/01/18

FASTEN ROOF DECKING WITH TEK SCREWS EVERY 12" ON OUTER CHANNELS

FASTEN ROOF DECKING WITH TEK SCREWS EVERY 6" ON INNER CHANNELS



SEE DRAWING MTC3867S2 TO ASSEMBLE STAIRS

SEE DRAWING EQ-P0810-B TO ASSEMBLE PLATFORM

ITEM	PART NO.	DESCRIPTION	QTY.	WEIGHT	NOTE NO.
1	EQ-P0810-B	8' X 10' Platform Base	1	1219.87 LBS	
2	MTC3867S2	STAIR ASSEMBLY, TWO STEP	1	63.05 LBS	
3	ST-HB1512	LIGHTING FOUNDATION 15', 6.63" OD; 12" SQ	4	312.03 LBS	
4	MTC397902	PINCH PLATE, LONG	4	2.84 LBS	
5	MTC397901	PINCH PLATE	4	0.90 LBS	
6	GB-0828A	1"-8 X 3-1/2" GALV BOLT KIT (A325)	12	1.10 LBS	
7	GW-08	1" Galv Flat Washer	16	0.09 LBS	
8	MTC397903	POST, 4 X 4 X 120	4	60.656 LBS	
9	MTC397904	CHANNEL, 6 X 2.8 X 104", 11 GA	6	39.33 LBS	
10	MTC396602	BRACKET, CANOPY - ANGLE	8	1.13 LBS	
11	MTC3813C14	CANOPY BRACE, 11 GA, 30"	8	4.18 LBS	
12	GB-03105	3/8" X 1" GALV BOLT KIT	32	0.05 LBS	
13	RDR2636100	ROOF DECKING PBR 24 GA 36" X 144"	3	29.54 LBS	
14	TS1275	TEK SCREW #12 X 3/4, WITH NEOPRENE WASHER	100	0.02 LBS	
15	GB-05165	5/8" X 1-3/4" GALV BOLT KIT	8	0.24 LBS	
16	GB-05545	5/8" X 5-1/2" GALV BOLT KIT	20	0.56 LBS	
17	SW-58	BACKING PLATE, .188" X 2.5" X 2.5" W/ 11/16" HOLE	36	0.31 LBS	

COMMSCOPE, INC. OF NORTH CAROLINA

TOLERANCES		SAP MATERIAL MASTER						
0 PLACE X ± .25	2 PLACE .XX ± .06	MTC39791512C						
1 PLACE X ± .12	ANGLES ± 2°							
FINISH		MATERIAL						
GALV A123		A1011/A1018, A500, A529, A572						
UNLESS OTHERWISE SPECIFIED DIMENSIONS ARE IN MILLIMETERS INTERPRET PER ISO STANDARDS HANDBOOK TECHNICAL DRAWINGS VOLUMES 1 & 2, THIRD EDITION (2002)	NAME	DATE	TITLE					
	CE RJC	03/07/18	8X10 PLTFM, 2-STEP, (4) 15' HLCL, CNPY					
	RW							
	RV							
	AD							
RE TP	03/07/18	SCALE	DOCUMENT NO.					
ECN 8000028797		1:25	MTC39791512C					
SIZE	WORK AREA	MODEL	DRAWING					
C	[Symbol]	VERSION	STATUS	REVISION	VERSION	STATUS	REVISION	SHEET
								B

DENSITY	0	lbs/in ³
MASS	3205	lbs
VOLUME	11371	in ³
SURFACE AREA		in ²
HEIGHT		
LENGTH		
WIDTH		

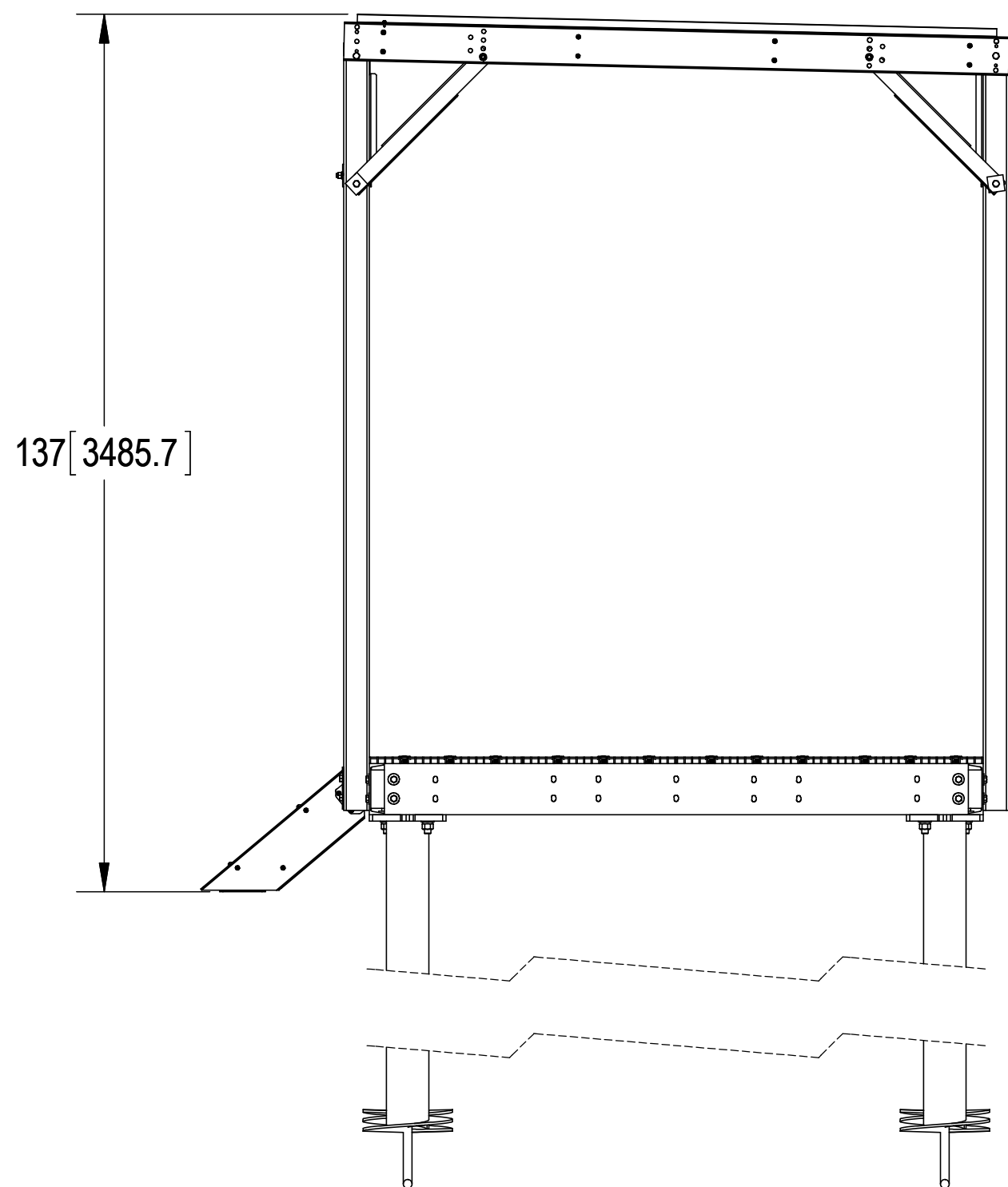
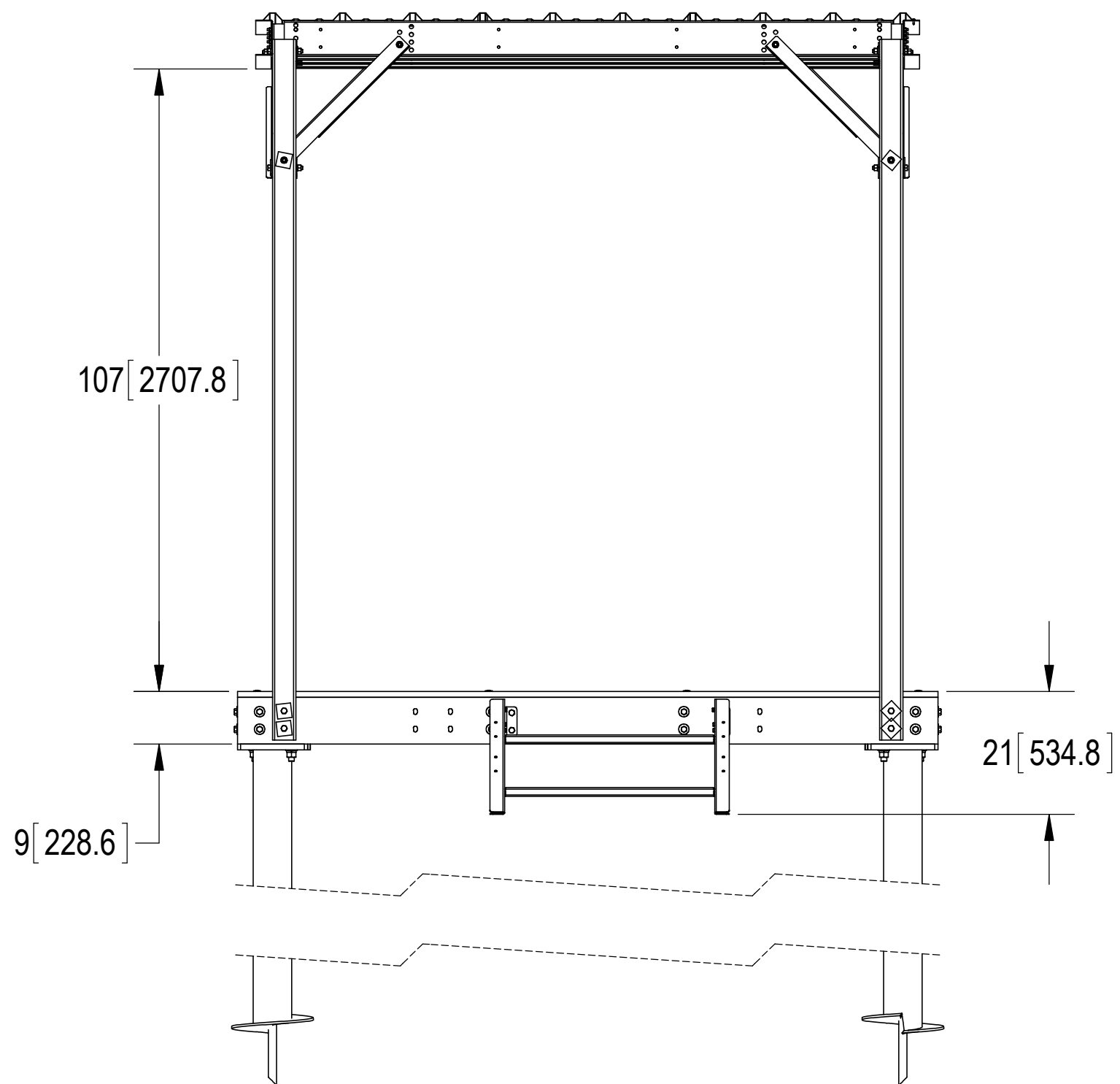
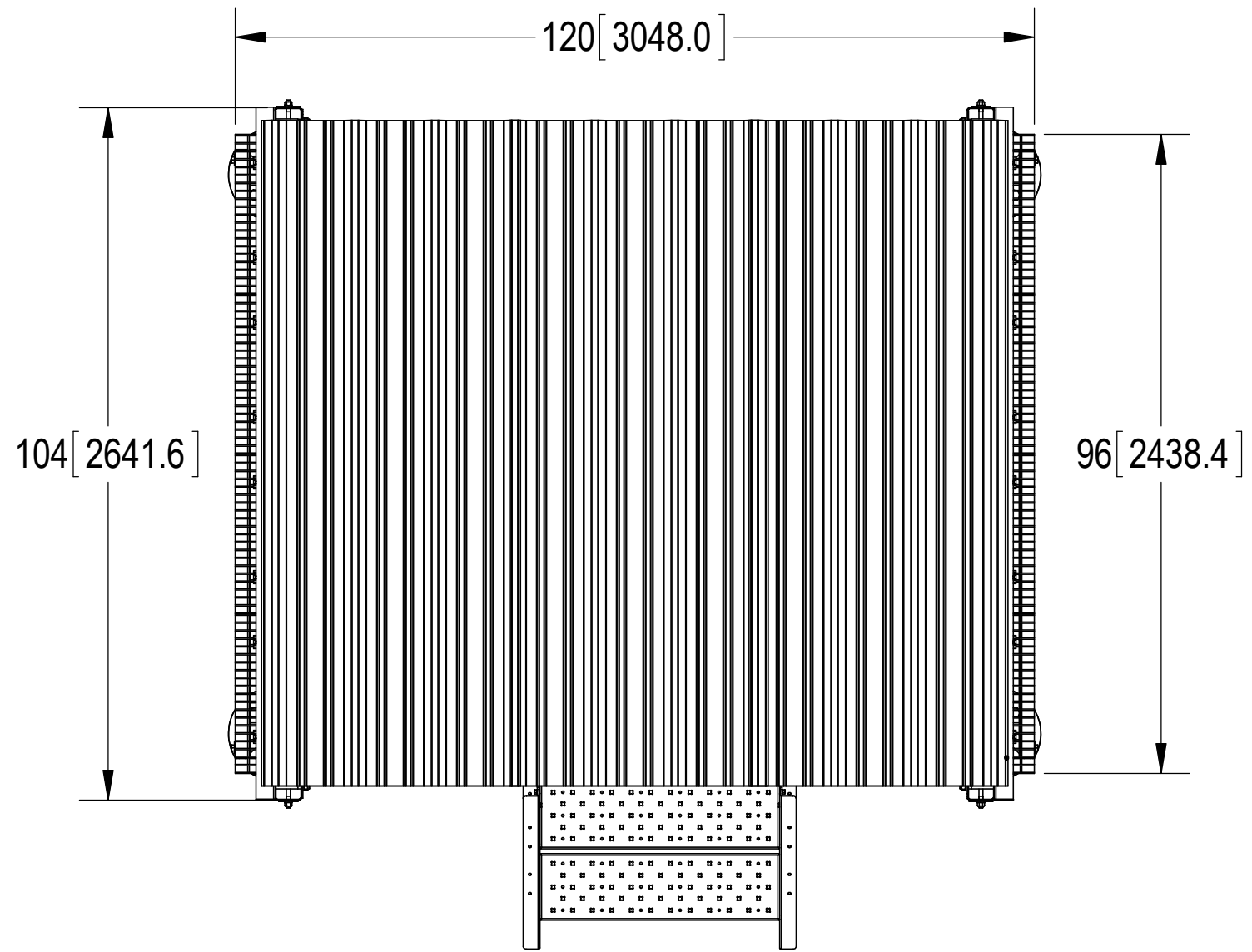
4

3

2

1

NOTES:



COMMSCOPE, INC. OF NORTH CAROLINA			
TITLE			
8X10 PLTFM, 2-STEP, (4) 15' HLCL, CNPY			
SIZE	SCALE	DOCUMENT NO.	
C	1:24	MTC39791512C	
DRAWING			SHEET
VERSION	STATUS	REVISION	2 OF 4
		B	

© 2015 CommScope, Inc. Confidential

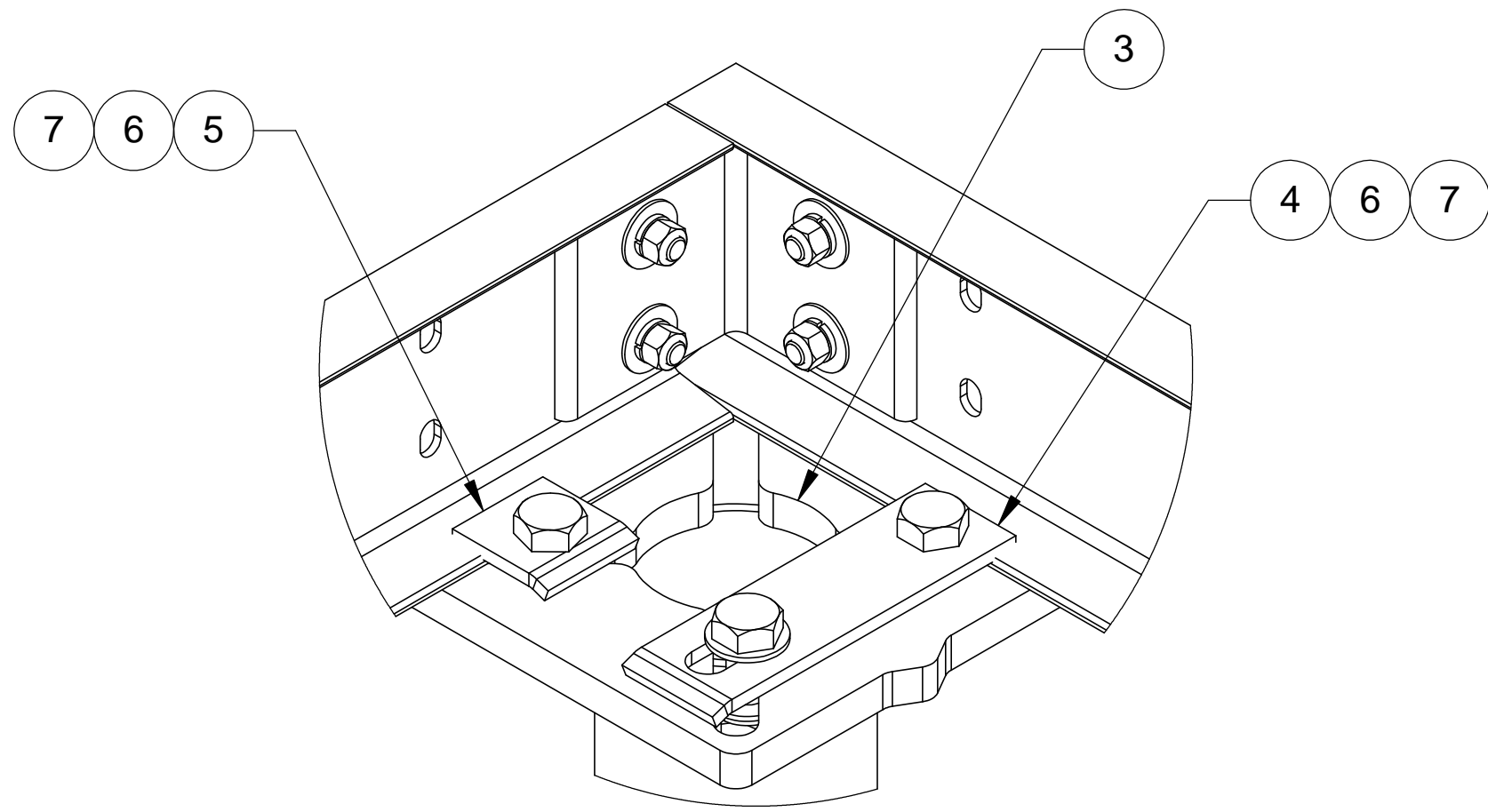
4

3

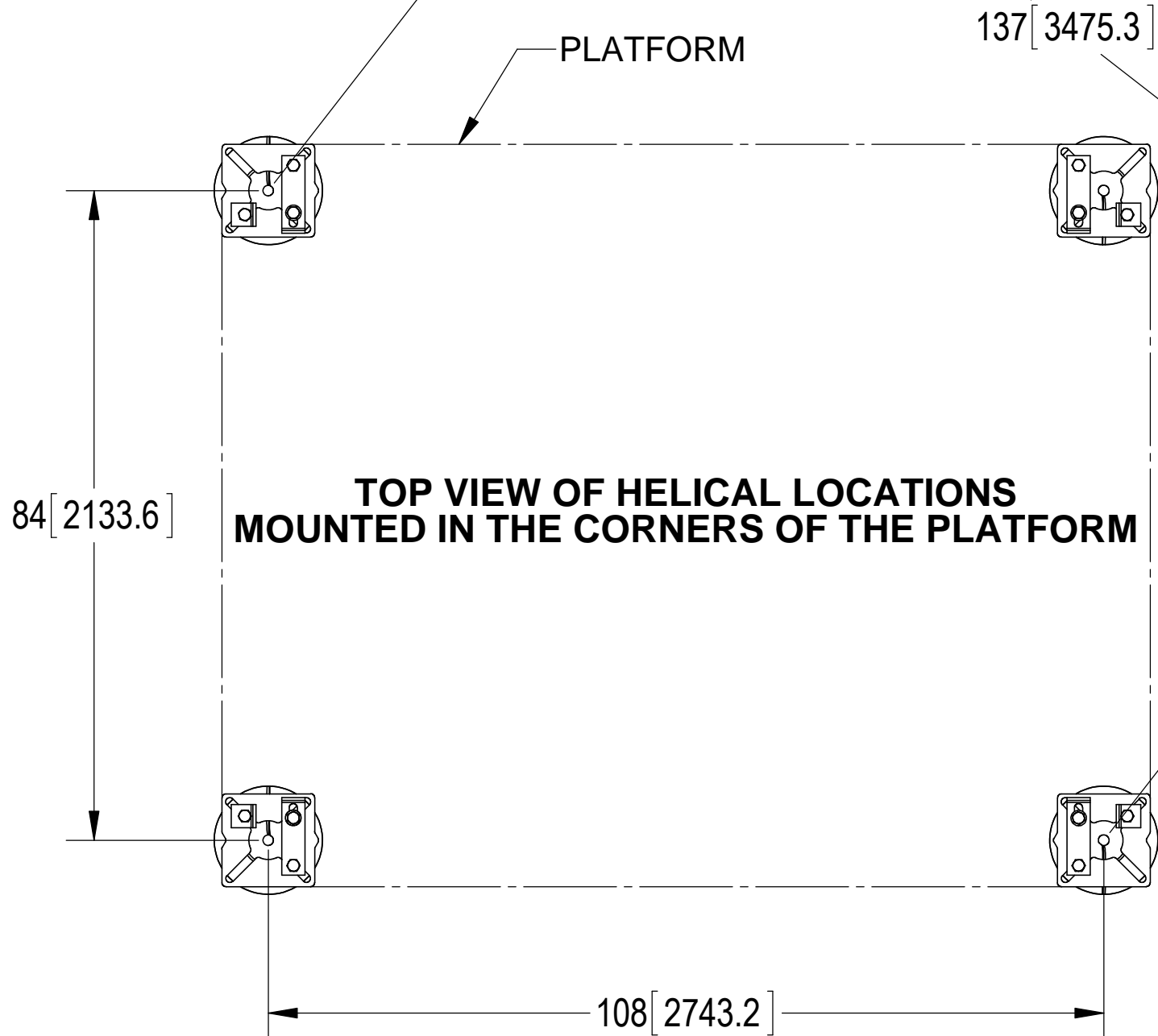
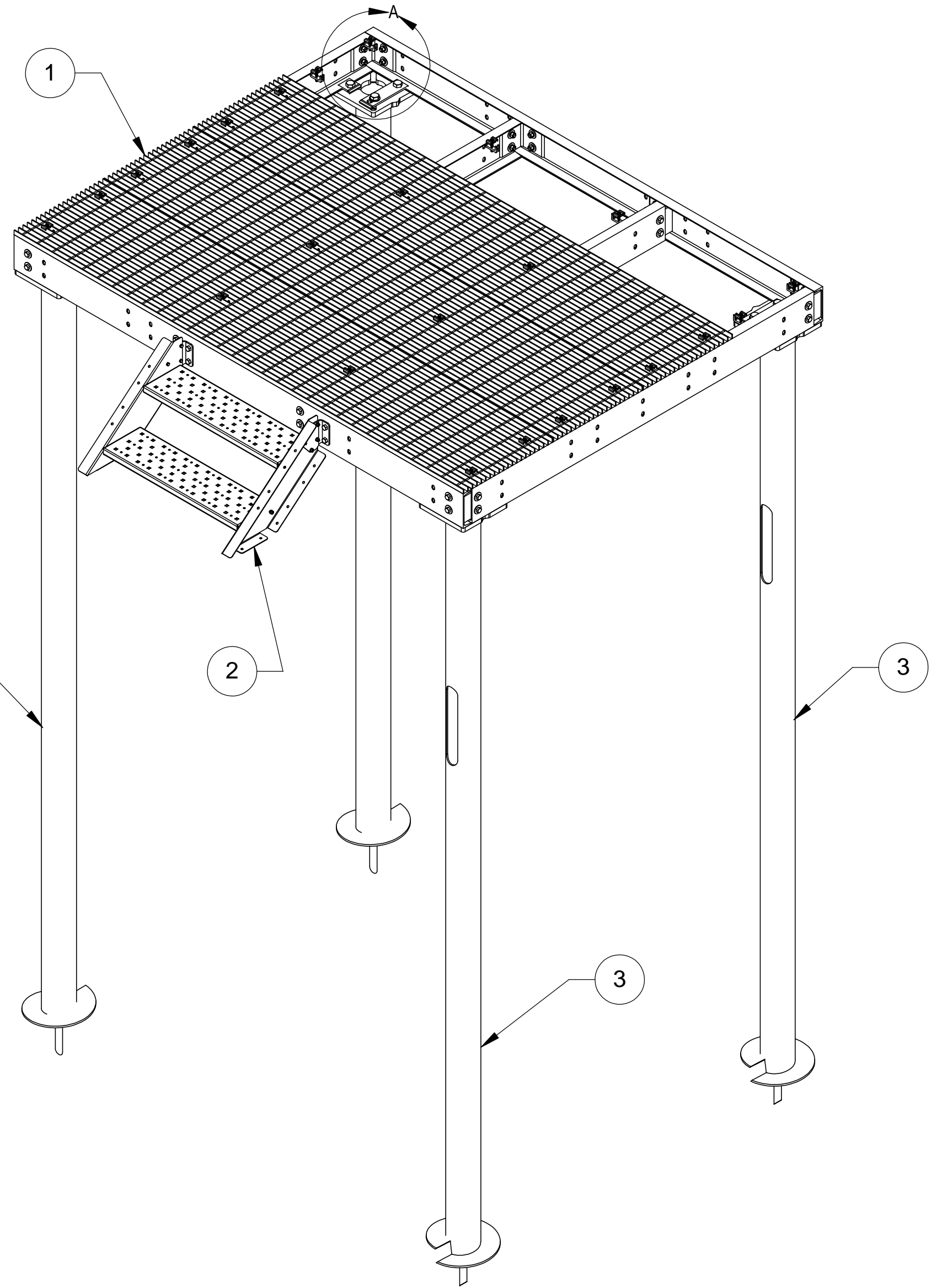
2

1

NOTES:



DETAIL A
SCALE 1:4



COMMSCOPE, INC. OF NORTH CAROLINA			
TITLE			
8X10 PLTFM, 2-STEP, (4) 15' HLCL, CNPY			
SIZE	SCALE	DOCUMENT NO.	
C	1:20	MTC39791512C	
DRAWING			SHEET
VERSION	STATUS	REVISION	3 OF 4
		B	

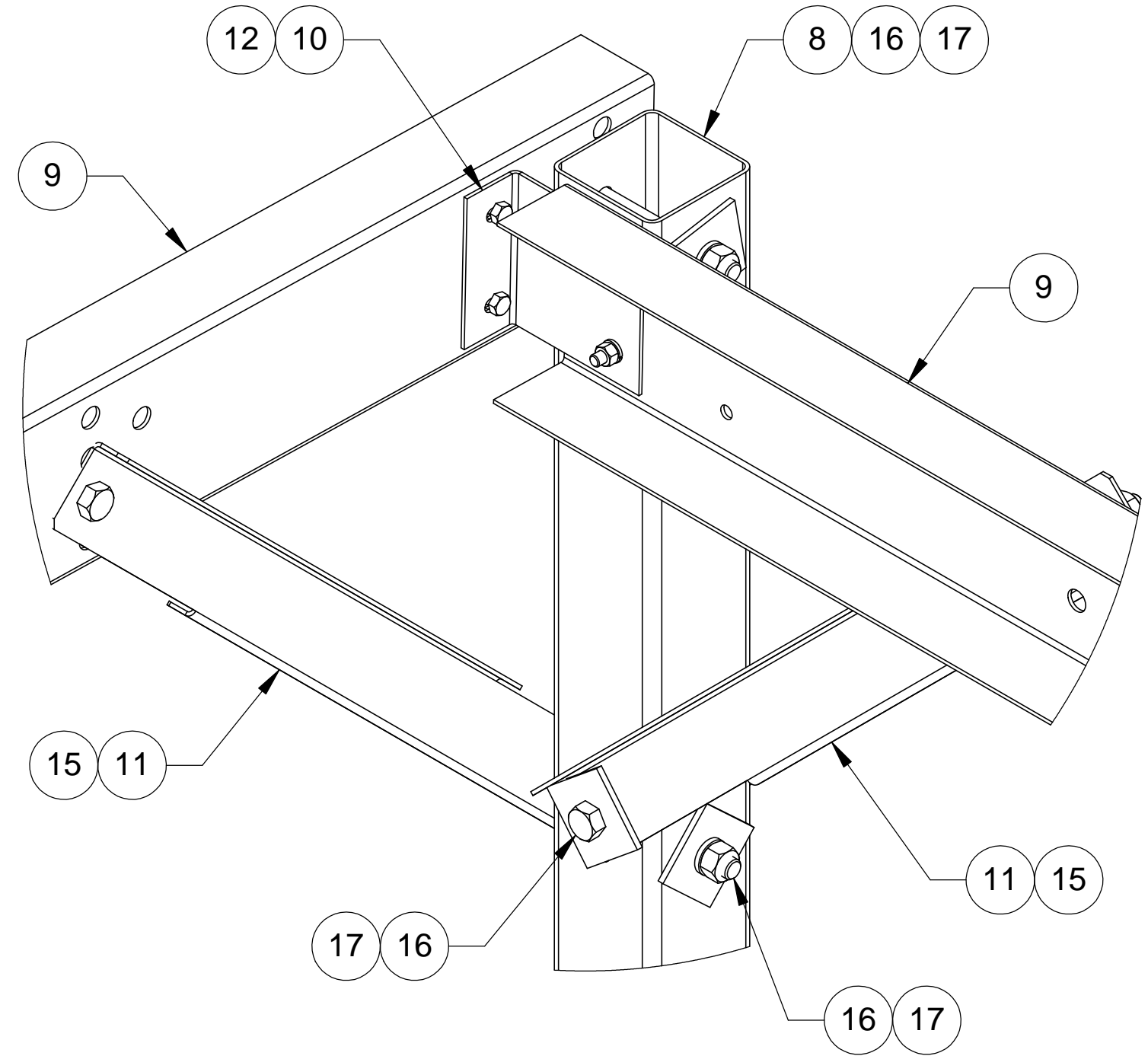
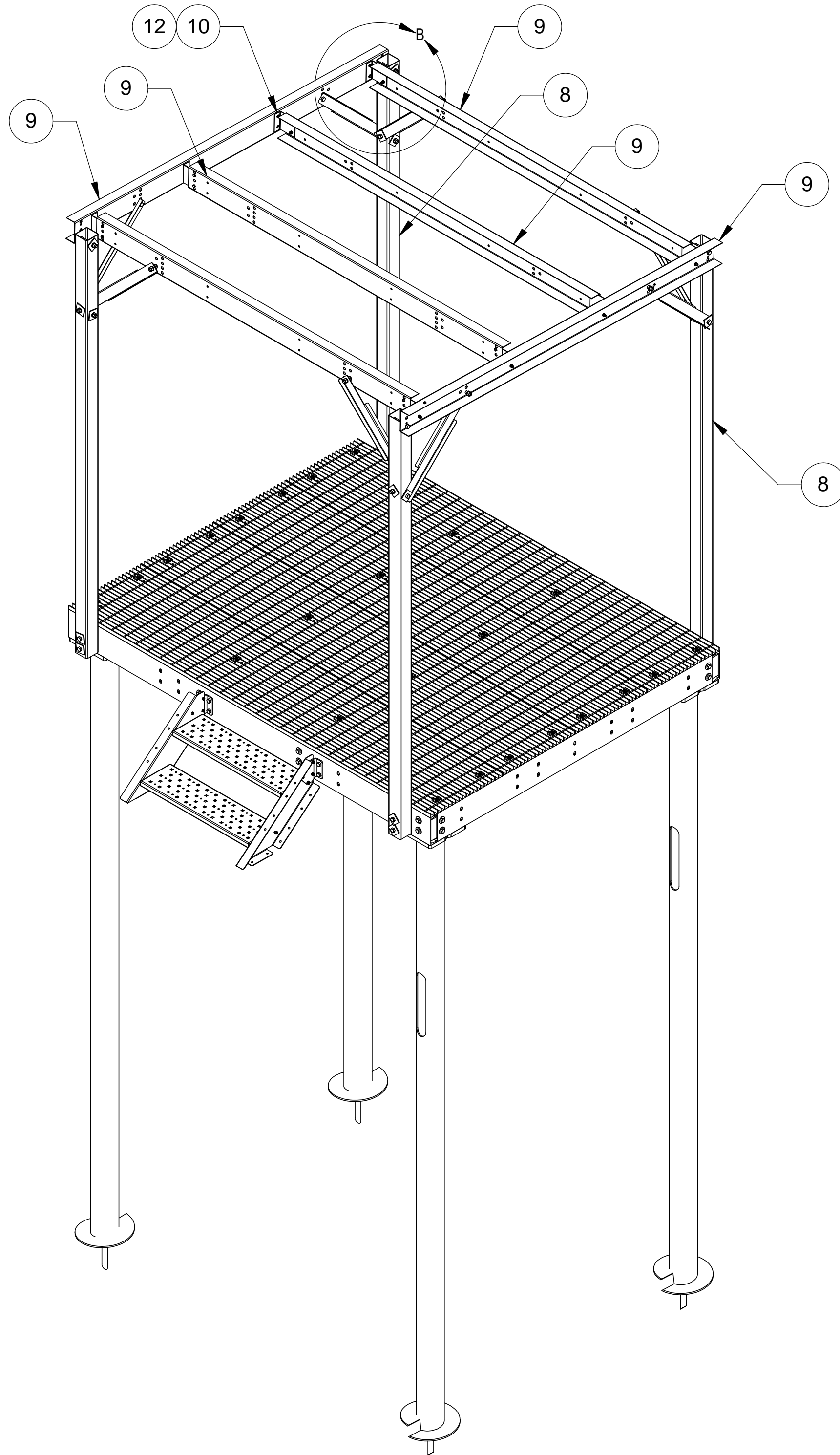
4

3

2

1

NOTES:



DETAIL B
SCALE 1:4

COMMSCOPE, INC. OF NORTH CAROLINA			
TITLE			
8X10 PLTFM, 2-STEP, (4) 15' HLCL, CNPY			
SIZE	SCALE	DOCUMENT NO.	
C	1:22	MTC39791512C	
DRAWING			SHEET
VERSION	STATUS	REVISION	4 OF 4
		B	

4

3

2

1

D

D

C

C

B

B

A

A