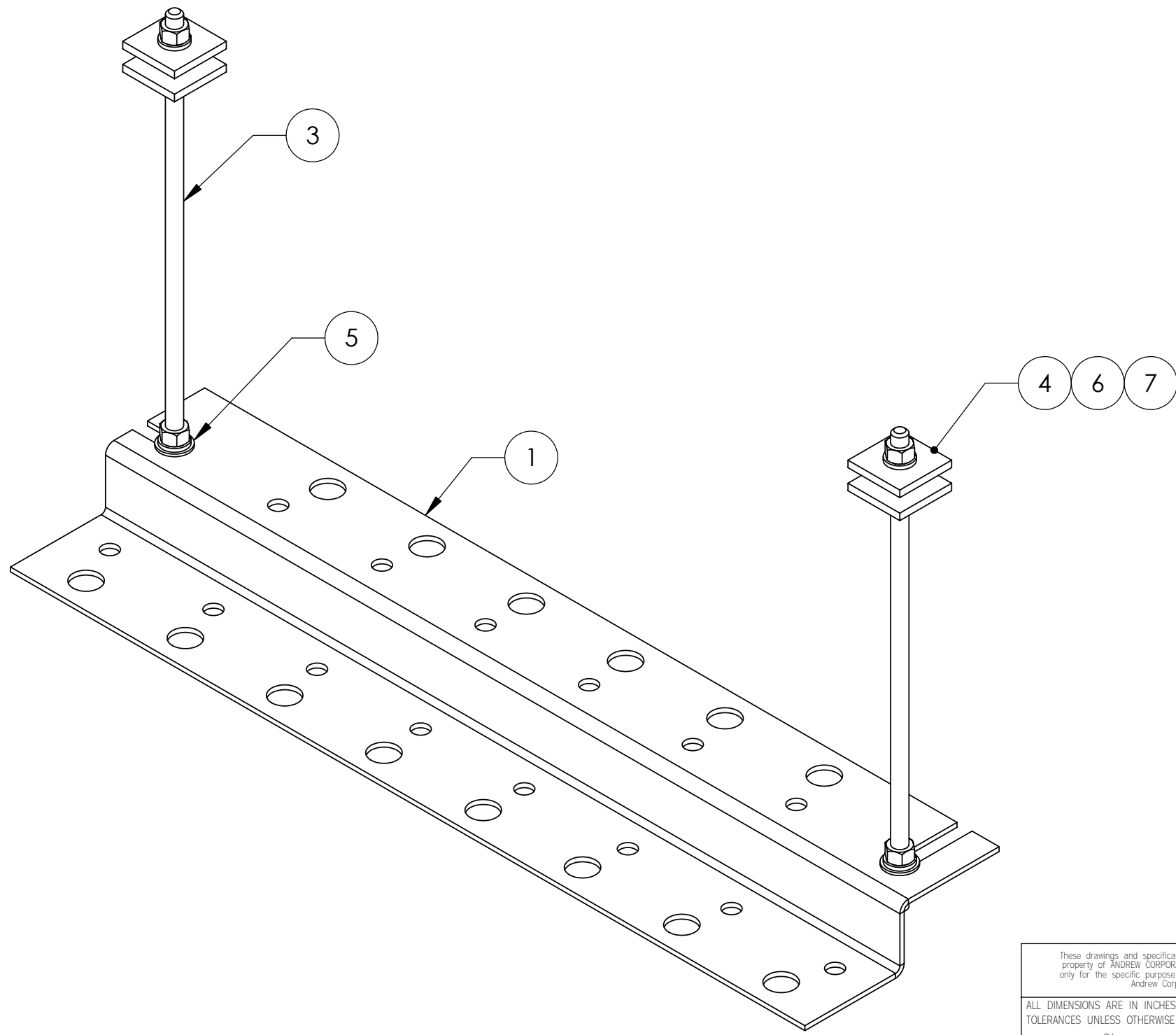



ITEM	PART NO.	DESCRIPTION	QTY.	WEIGHT
1	ZB-H8	HORIZONTAL Z-BRACKET, 8 RUNS COAX	1	5.38 LBS
2	MT-357-H	HARDWARE KIT (CONTAINS ITEM 3-7)	1	
3	MT-373	3/8" X 12" SS THREADED ROD	2	0.37 LBS
4	MT-387	SQUARE WASHER, 1 1/2" X 1 1/2" W/ 7/16" HOLE	4	0.11 LBS
5	SWF-03	3/8" SS FLAT WASHER	4	0.01 LBS
6	SWL-03	3/8" SS LOCK WASHER	4	0.01 LBS
7	SN-03	3/8" SS HEX NUT	8	0.02 LBS

REVISIONS				
REV.	ZONE	DESCRIPTION	BY	DATE
A		INITIAL RELEASE	DI	01/27/05
B		UPDATED BOM AND VIEW	AW	11/2/2005



<small>These drawings and specifications are the proprietary property of ANDREW CORPORATION and may be used only for the specific purpose authorized in writing by Andrew Corporation.</small> <b>ALL DIMENSIONS ARE IN INCHES U.O.S.</b> TOLERANCES UNLESS OTHERWISE SPECIFIED: .X = .06      ANGLES      2° .XX = .03      FRACTIONS      1/32 .XXX = .010 REMOVE BURRS AND BREAK EDGES .005 <b>DO NOT SCALE THIS PRINT</b>	<small>DRAWN BY:</small> DI	<small>SHEET:</small> 1 of 1	<small>PART NUMBER:</small> MT-357-24
	<small>CHECKED BY:</small> TP	<small>SCALE:</small> NTS	<small>DESCRIPTION:</small> TRAPEZE KIT
	<small>DATE:</small> 01/27/05	<small>MATERIAL:</small> A36, A569	<small>DRAWING TYPE:</small> ASSEMBLY DRAWING
	<small>REVISION:</small> B	<small>FINISH:</small> GALV A123  <small>WEIGHT:</small> 6.78 LBS	 <b>ANDREW</b> ®
			<small>ORLAND PARK, IL. 60462 U.S.A.</small>