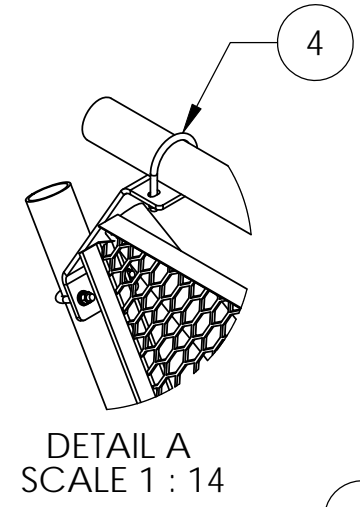
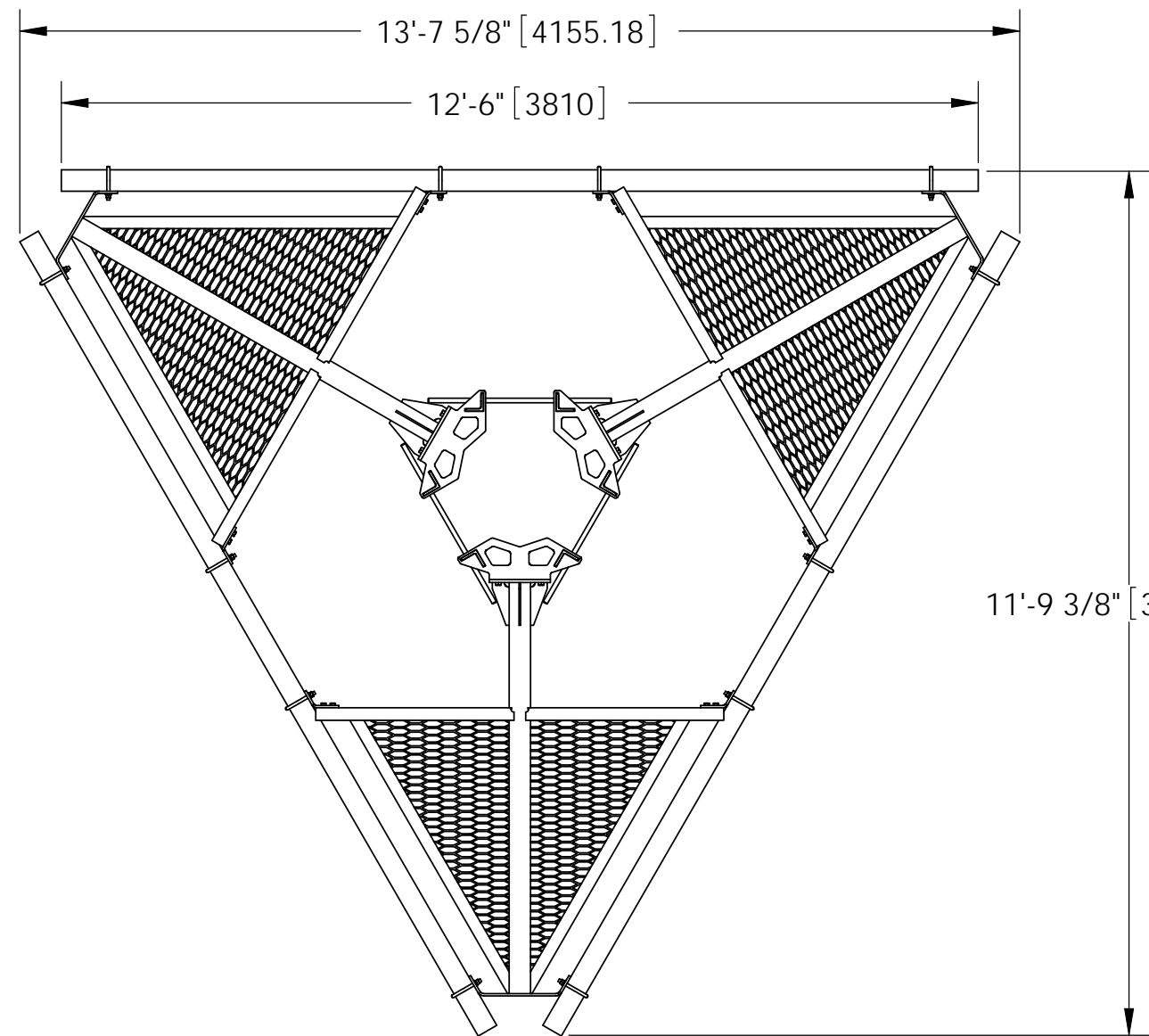
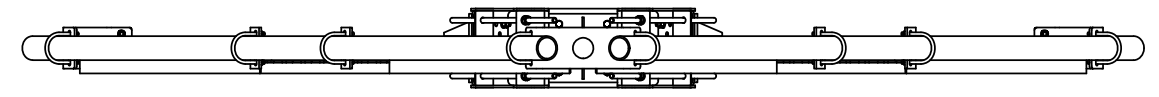
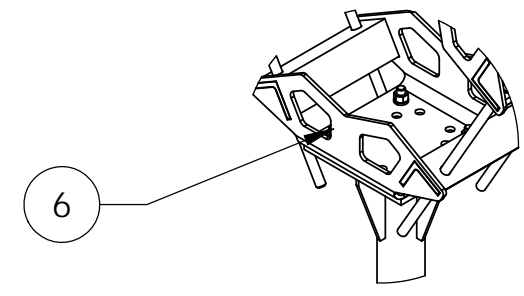
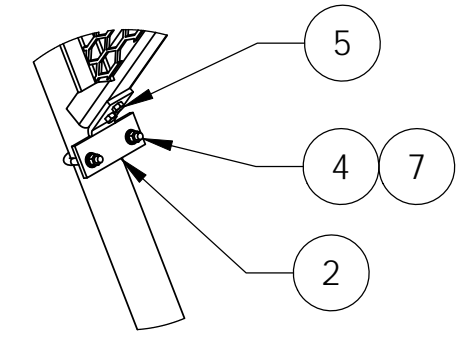
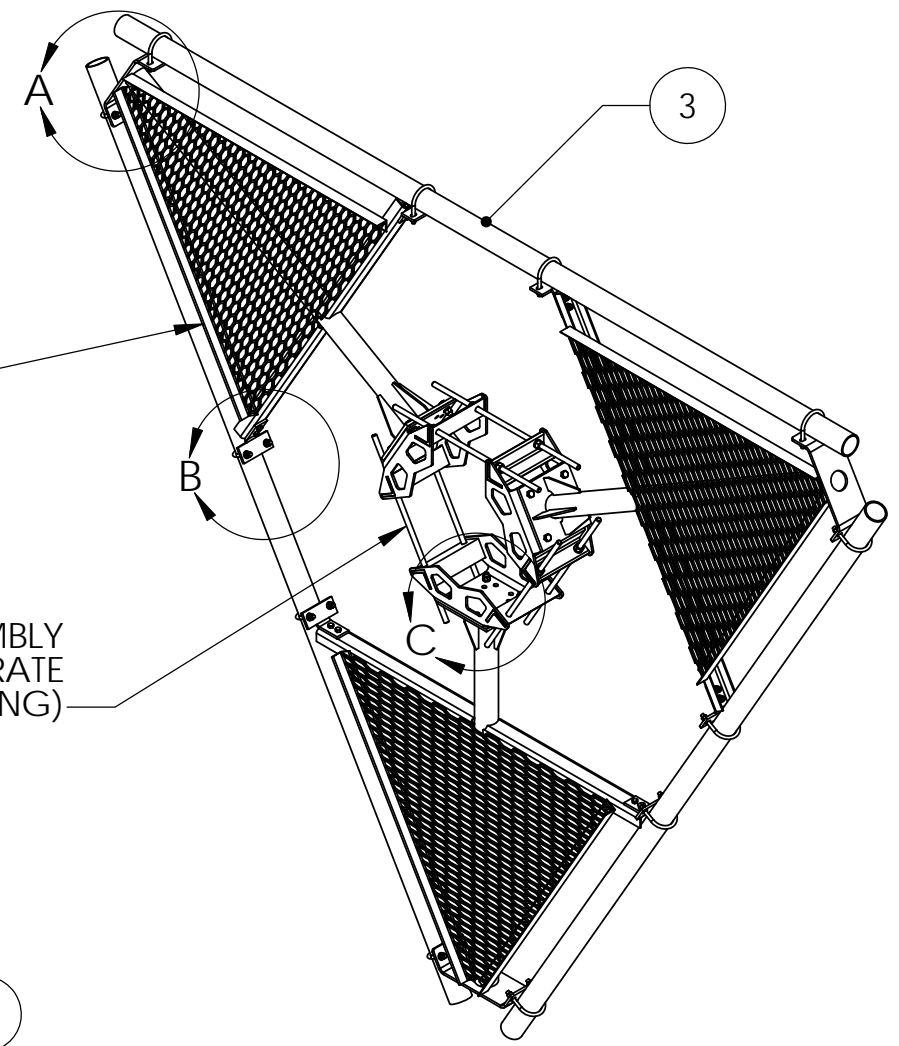


| ITEM | PART NO. | DESCRIPTION | QTY. | WEIGHT |
|------|----------|---|------|------------|
| 1 | MT196.01 | Low Profile Co-Location Platform 12'-6" | 3 | 140.90 LBS |
| 2 | MT196.17 | MT196 Pipe Mount Plate | 6 | 2.54 LBS |
| 3 | MT216.01 | 3 1/2" O.D. X 12'-6" GALV. PIPE | 3 | 94.20 LBS |
| 4 | GUB-4355 | 1/2" X 3-5/8" X 5" GALV U-BOLT KIT | 12 | 0.71 LBS |
| 5 | GB-04145 | 1/2" X 1-1/2" GALV BOLT KIT | 12 | 0.26 LBS |
| 6 | GB-0520A | 5/8" X 2" GALV BOLT KIT (A325) | 12 | 0.27 LBS |
| 7 | GWF-04 | 1/2" GALV FLAT WASHER | 12 | 0.01 LBS |

| REVISIONS | | | | |
|-----------|------|--|-----|----------|
| REV. | ZONE | DESCRIPTION | BY | DATE |
| L | | UPDATED DRAWING AND FILE | DI | 01/17/05 |
| M | | FIXED BALLOON CALL OUTS | AW | 06/02/06 |
| N | | REDESIGN OF ASSEMBLY | MSM | 03/13/08 |
| P | | CHANGED ITEM #6 | MSM | 05/09/08 |
| R | | UPDATED MT-19601 ASSEMBLY AND ADDED GWF-04 | DRR | 08/17/11 |



RING MOUNT ASSEMBLY
(SOLD SEPARATELY; SEE SEPARATE
ASSEMBLY DRAWING)



NOTES:
 1. PLATFORM FOR USE WITH POLES UP TO 32.8" IN DIAMETER
 2. WEIGHT INCLUDES THE RING MOUNT

| | | | |
|---|-----------------------|-----------------------------|--|
| These drawings and specifications are the proprietary property of ANDREW CORPORATION and may be used only for the specific purpose authorized in writing by Andrew Corporation. ALL DIMENSIONS ARE IN INCHES U.O.S. TOLERANCES UNLESS OTHERWISE SPECIFIED: .X = .12 ANGLES 2' .XX = .06 FRACTIONS 1/32 .XXX = .031 REMOVE BURRS AND BREAK EDGES .005 DO NOT SCALE THIS PRINT | DRAWN BY: DI | SHEET: 1 of 1 | PART NUMBER: MT-196 |
| | CHECKED BY: TP | SCALE: NTS | DESCRIPTION: LOW PROFILE CO LOCATION PLATFORM KIT |
| | DATE: 02/25/05 | MATERIAL: A36, A53, A500 | DRAWING TYPE: ASSEMBLY DRAWING |
| | REVISION: R | FINISH: GALV A123 | WEIGHT: 864.11 LBS |