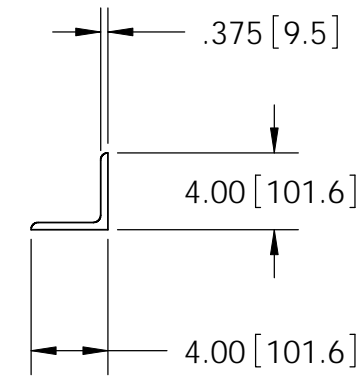
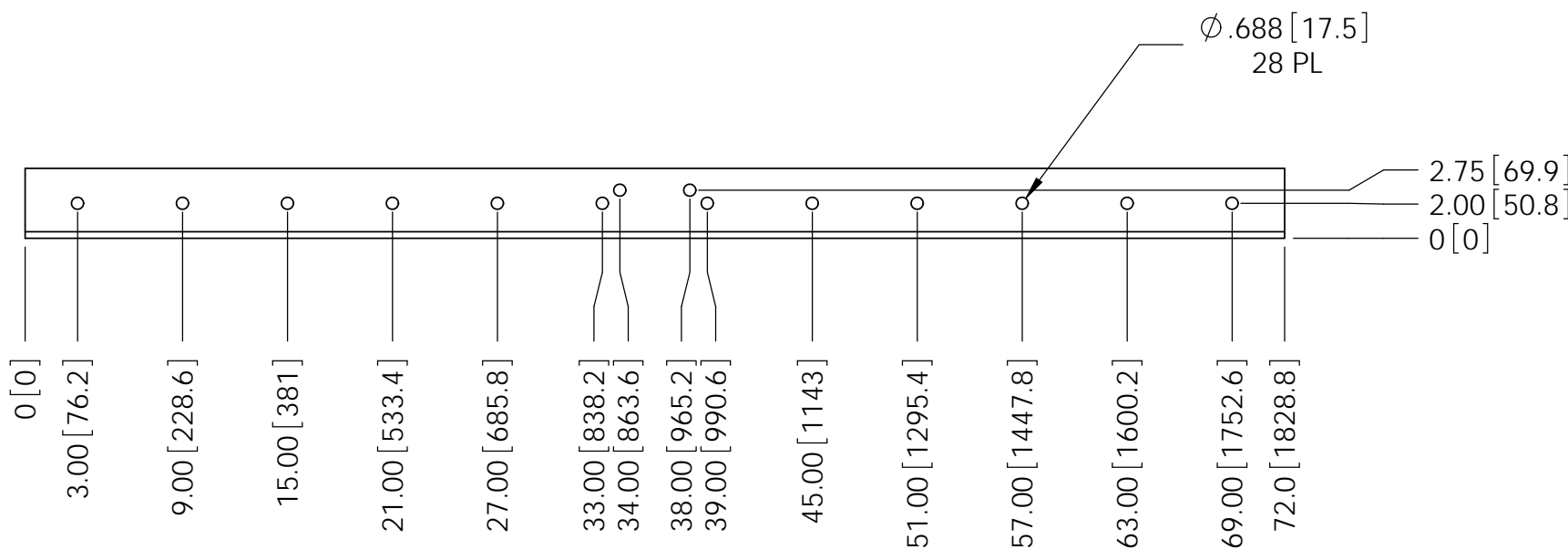
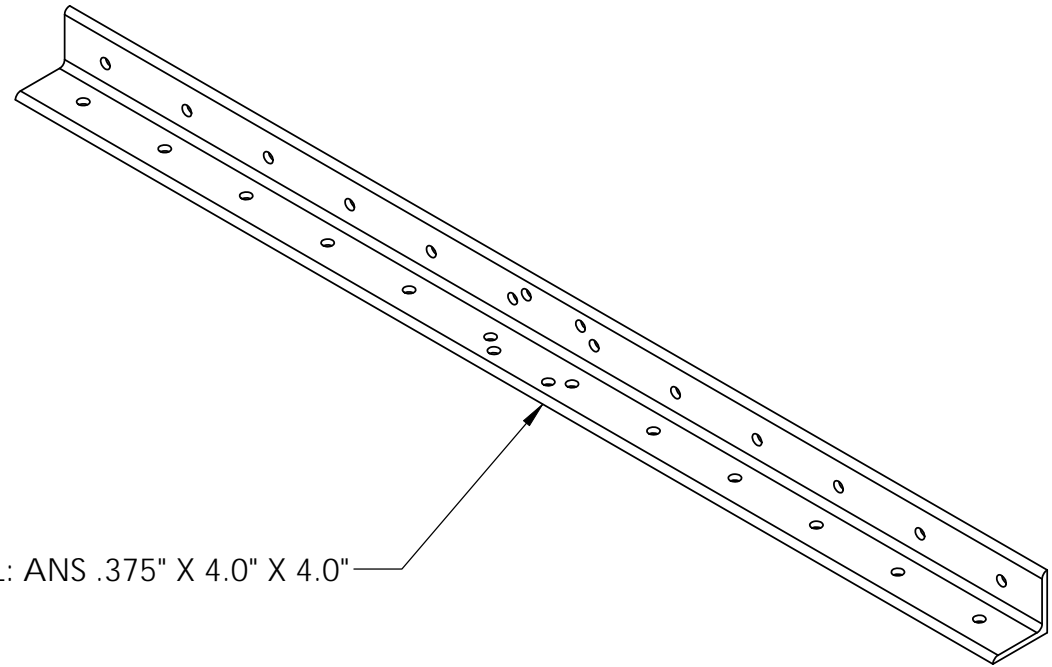
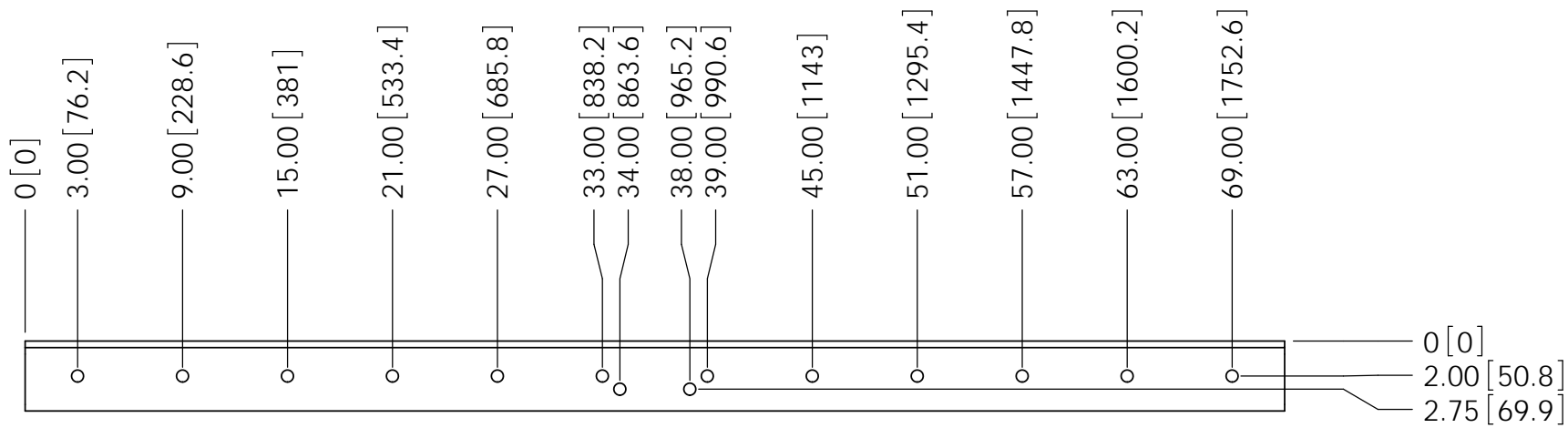



REVISIONS				
REV.	ZONE	DESCRIPTION	BY	DATE
A		INITIAL RELEASE	MSM	10/16/09
B		ADD 4 HOLES	MSM	04/20/10



NOTES:  
 1. ALL METRIC DIMENSIONS ARE IN BRACKETS.  
 2. STAMP PART IDENTIFICATION NUMBER.

<small>These drawings and specifications are the proprietary property of ANDREW CORPORATION and may be used only for the specific purpose authorized in writing by Andrew Corporation.</small> ALL DIMENSIONS ARE IN INCHES U.O.S. TOLERANCES UNLESS OTHERWISE SPECIFIED: .X = ± .06      ANGLES      ±2° .XX = ± .03      FRACTIONS      ±1/32 .XXX = ± .010 REMOVE BURRS AND BREAK EDGES .005 DO NOT SCALE THIS PRINT	DRAWN BY: MSM	SHEET: 1 of 1	PART NUMBER: MD-CSA6
	CHECKED BY: TP	SCALE: NTS	DESCRIPTION: MD-CS 6' Angle
	DATE: 10/16/09	MATERIAL: A529	DRAWING TYPE: SHOP DRAWING
	REVISION: <b>B</b>	FINISH: GALV A123	 WESTCHESTER, IL. 60154 U.S.A.
	WEIGHT: 56.30 LBS		