

4

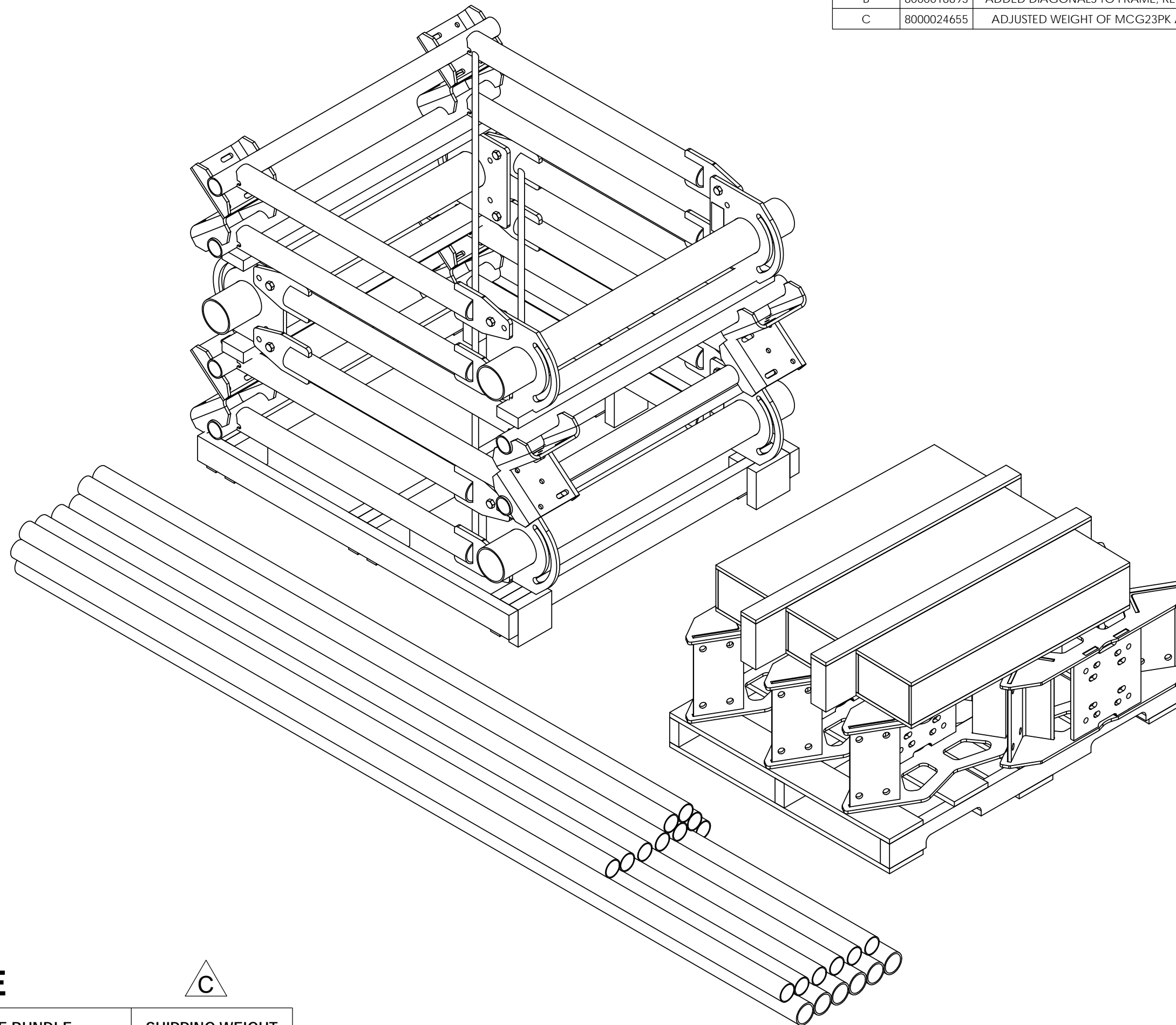
3

2

1

NOTES:

REVISIONS				
REV.	ECN	DESCRIPTION	BY	DATE
A	8000013567	INITIAL RELEASE	RJC	04/14/16
B	8000018893	ADDED DIAGONALS TO FRAME, REDESIGNED HW KIT	DRR	01/17/17
C	8000024655	ADJUSTED WEIGHT OF MCG23PK AND ALL TOTALS	DRR	07/11/17



MCG23HD SERIES TABLE

KIT PART NUMBER	DESCRIPTION	PIPE BUNDLE	SHIPPING WEIGHT
MCG23HD-10M-12-126	COLO SECTOR FRAME 10'-6" FACE, (12) 126" ANTENNA PIPE	MCG23HD10M12126SB	2406 LBS
MCG23HD-10M-12-96	COLO SECTOR FRAME 10'-6" FACE, (12) 96" ANTENNA PIPE	MCG23HD10M1296SB	2313 LBS
MCG23HD-10M-9-126	COLO SECTOR FRAME 10'-6" FACE, (9) 126" ANTENNA PIPE	MCG23HD10M9126SB	2280 LBS
MCG23HD-10M-9-96	COLO SECTOR FRAME 10'-6" FACE, (9) 96" ANTENNA PIPE	MCG23HD10M996SB	2235 LBS
MCG23HD-10M-B	COLO SECTOR FRAME 10'-6" FACE, NO ANTENNA PIPE	MCG23HD10MBSB	2036 LBS
MCG23HD-12M-12-126	COLO SECTOR FRAME 12'-6" FACE, (12) 126" ANTENNA PIPE	MCG23HD12M12126SB	2461 LBS
MCG23HD-12M-12-96	COLO SECTOR FRAME 12'-6" FACE, (12) 96" ANTENNA PIPE	MCG23HD12M1296SB	2371 LBS
MCG23HD-12M-9-126	COLO SECTOR FRAME 12'-6" FACE, (9) 126" ANTENNA PIPE	MCG23HD12M9126SB	2338 LBS
MCG23HD-12M-9-96	COLO SECTOR FRAME 12'-6" FACE, (9) 96" ANTENNA PIPE	MCG23HD12M996SB	2294 LBS
MCG23HD-12M-B	COLO SECTOR FRAME 12'-6" FACE, NO ANTENNA PIPE	MCG23HD12MBSB	2094 LBS
MCG23HD-14M-12-126	COLO SECTOR FRAME 14'-6" FACE, (12) 126" ANTENNA PIPE	MCG23HD14M12126SB	2541 LBS
MCG23HD-14M-12-96	COLO SECTOR FRAME 14'-6" FACE, (12) 96" ANTENNA PIPE	MCG23HD14M1296SB	2451 LBS
MCG23HD-14M-9-126	COLO SECTOR FRAME 14'-6" FACE, (9) 126" ANTENNA PIPE	MCG23HD14M9126SB	2418 LBS
MCG23HD-14M-9-96	COLO SECTOR FRAME 14'-6" FACE, (9) 96" ANTENNA PIPE	MCG23HD14M996SB	2384 LBS
MCG23HD-14M-B	COLO SECTOR FRAME 14'-6" FACE, NO ANTENNA PIPE	MCG23HD14MBSB	2174 LBS

ITEM	PART NO.	DESCRIPTION	QTY.	WEIGHT	NOTE NO.
1	MCG23PK	MCG23 FRAME PACK	1	704.87 LBS	
2	MCG23HDxxxxSB	STEEL PIPE BUNDLE, SEE TABLE	1	-	
3	MCG23HDHK3	HARDWARE KIT, MONOPOLE 3 SECTOR	1	770.75 LBS	

DENSITY	lbs/in ³
MASS	SEE TABLE lbs
VOLUME	in ³
SURFACE AREA	in ²
HEIGHT	
LENGTH	
WIDTH	

PATENT PENDING

COMMSCOPE, INC. OF NORTH CAROLINA

TOLERANCES		SAP MATERIAL MASTER	
0 PLACE X ± .25	2 PLACE .XX ± .06	MCG23HD SERIES	
1 PLACE .X ± .12	ANGLES ± 2°		
FINISH		MATERIAL	
GALV A123		A36, A53, A500	
UNLESS OTHERWISE SPECIFIED DIMENSIONS ARE IN MILLIMETERS INTERPRET PER ISO STANDARDS HANDBOOK TECHNICAL DRAWINGS VOLUMES 1 & 2, THIRD EDITION (2002)		NAME	DATE
CE	MSM	03/29/16	TITLE
RW			MONOPOLE COLOCATION SECTOR FRAME, HD
RV			
AD			SCALE
RE	TP	03/29/16	DOCUMENT NO.
ECN	8000013567		1:32 MCG23HD SERIES
SIZE		WORK AREA	
C			
MODEL		DRAWING	
VERSION	STATUS	REVISION	VERSION
			STATUS
			REVISION
SHEET			1 OF 7

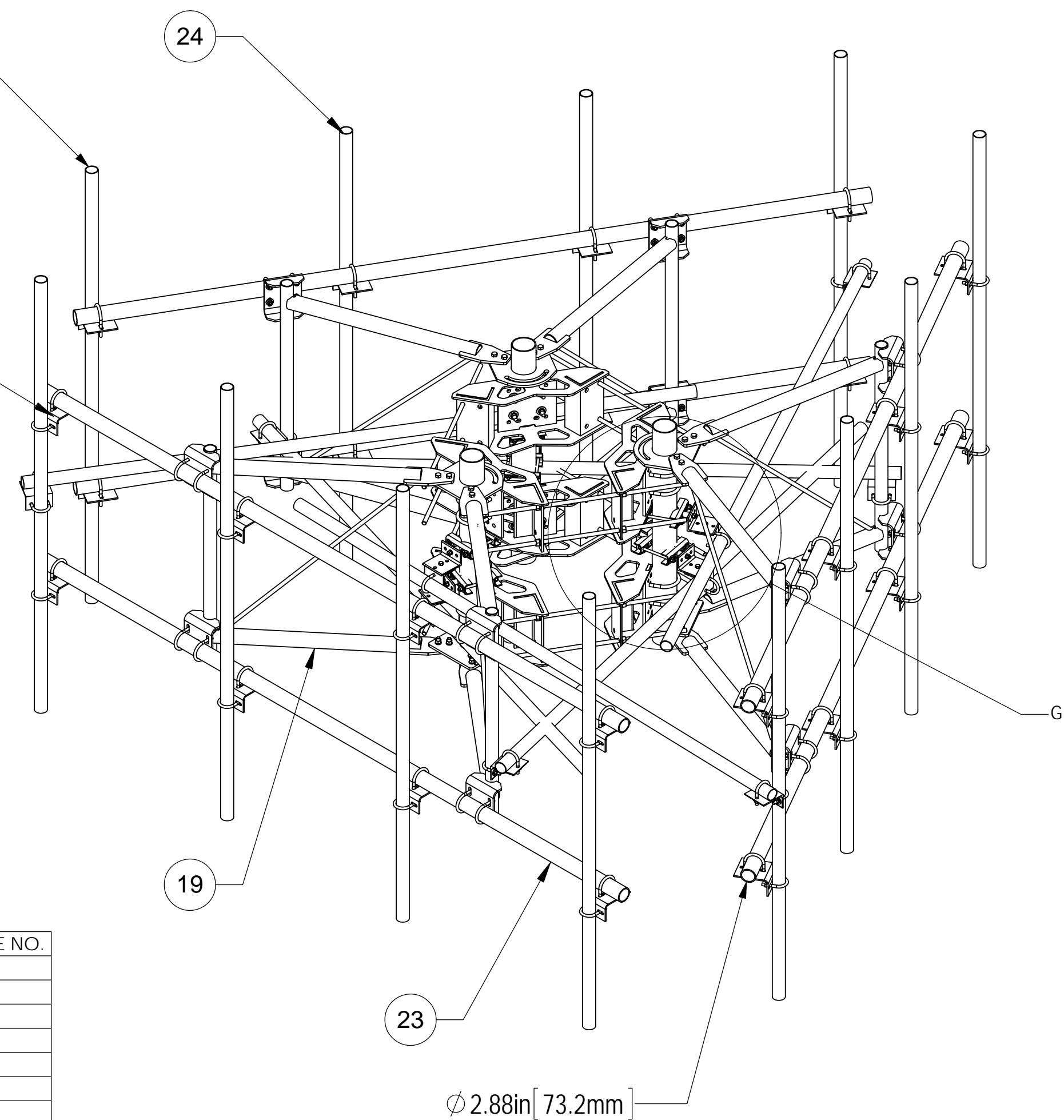
NOTES:

1.0 ALL METRIC DIMENSIONS ARE IN BRACKETS.

TABLE 1

KIT PART NUMBER	ITEM #22 - FACE PIPE	ITEM #23 - VERTICAL PIPE	ITEM #23 QTY	WEIGHT
MCG23HD-10M-12-126	SFG23126HD	MT-537	12	2312 LBS
MCG23HD-10M-12-96	SFG23126HD	MT-651-96	12	2219 LBS
MCG23HD-10M-9-126	SFG23126HD	MT-537	9	2186 LBS
MCG23HD-10M-9-96	SFG23126HD	MT-651-96	9	2141 LBS
MCG23HD-10M-B	SFG23126HD	-	-	1942 LBS
MCG23HD-12M-12-126	SFG23150HD	MT-537	12	2367 LBS
MCG23HD-12M-12-96	SFG23150HD	MT-651-96	12	2277 LBS
MCG23HD-12M-9-126	SFG23150HD	MT-537	9	2244 LBS
MCG23HD-12M-9-96	SFG23150HD	MT-651-96	9	2200 LBS
MCG23HD-12M-B	SFG23150HD	-	-	2000 LBS
MCG23HD-14M-12-126	SFG23174HD	MT-537	12	2447 LBS
MCG23HD-14M-12-96	SFG23174HD	MT-651-96	12	2357 LBS
MCG23HD-14M-9-126	SFG23174HD	MT-537	9	2324 LBS
MCG23HD-14M-9-96	SFG23174HD	MT-651-96	9	2290 LBS
MCG23HD-14M-B	SFG23174HD	-	-	2080 LBS

ITEM	PART NO.	DESCRIPTION	QTY.	WEIGHT	NOTE NO.
1	SFG2302	ARM MOUNT WELDMENT	3	59.80 LBS	
2	GB-05225	5/8" X 2-1/4" GALV BOLT KIT	24	0.28 LBS	
3	GUB-5456	5/8" X 4-5/8" X 6 1/2" GALV U-BOLT	12	1.42 LBS	
4	GUB-4240	1/2" X 2-1/2" X 4" GALV U-BOLT	42	0.56 LBS	
5	OS15034	3/4" X 1-1/2" OFFSET COLLAR	6	0.14 LBS	
7	SAB01	FORMED CLAMP	12	1.35 LBS	
7	MT-379-8	1/2" X 8" GALV THREADED ROD	12	0.44 LBS	
8	XA2020.01	CROSS OVER ANGLE	18	2.65 LBS	
9	GWL-04	1/2" GALV LOCK WASHER	24	0.01 LBS	
10	GN-04	1/2" GALV HEX NUT	24	0.04 LBS	
11	GWF-04	1/2" GALV FLAT WASHER	24	0.03 LBS	
12	RM1550301	15"-50" 3 SECTOR RM WLDMNT	6	66.20 LBS	
13	MT38440	3/4" X 40" GALV THREADED ROD GRADE B7	12	4.98 LBS	
14	GWL-06	3/4" GALV LOCK WASHER	24	0.04 LBS	
15	GN-06	3/4" GALV HEX NUT	24	0.15 LBS	
16	GUB-4340	1/2" X 3" X 4" GALV U-BOLT	24	0.57 LBS	
17	XAU01	Angle BRK	24	3.59 LBS	
18	GUB-4352	1/2" X 3" X 5-1/4" GALV U-BOLT	24	0.71 LBS	
19	SFG2367L	SECTOR FRAME ARM LEFT WELDMENT	3	81.38 LBS	
20	SFG2367R	SECTOR FRAME ARM RIGHT WELDMENT	3	81.38 LBS	
21	GB-0414A	1/2" X 1-1/2" GALV BOLT KIT (A325)	6	0.13 LBS	
22	GB-0426A	1/2" X 2-3/4" GALV BOLT KIT (A325)	6	0.20 LBS	
23	MT-546-150	2-7/8" OD x 150" GALV PIPE	6	71.18 LBS	
24	MT-537	Ø 2.375" OD x 126" PIPE	6	30.52 LBS	
25	VERTICAL PIPE SEE TABLE 1	Ø 2.375" OD PIPE	SEE TABLE	-	



DIAGONALS MUST BE INSTALLED AS SHOWN

PATENT PENDING

COMMScope, INC. OF NORTH CAROLINA				
TITLE MONOPOLE COLOCATION SECTOR FRAME, HD				
SIZE C	SCALE 1:20	DOCUMENT NO. MCG23HD SERIES		
DRAWING		VERSION	STATUS	REVISION C
				SHEET 2 OF 7

4

3

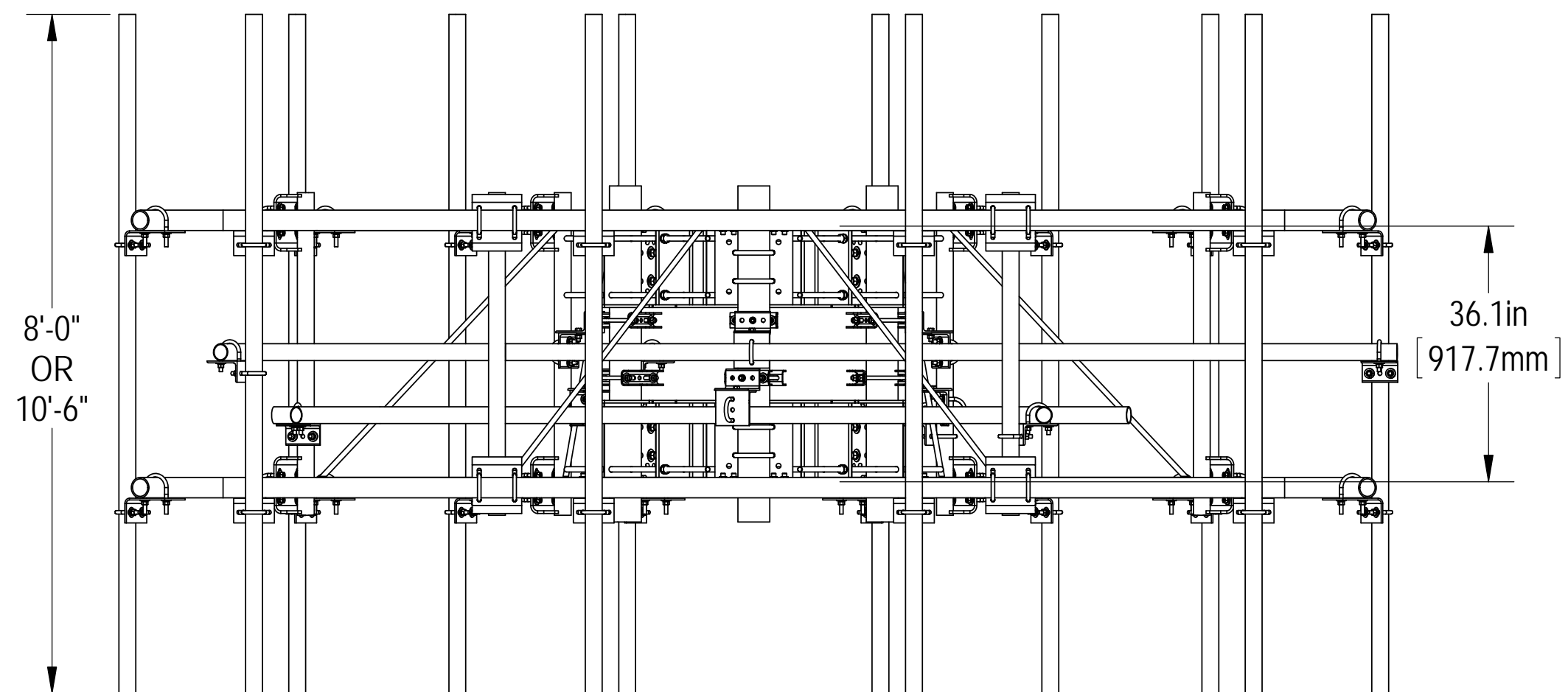
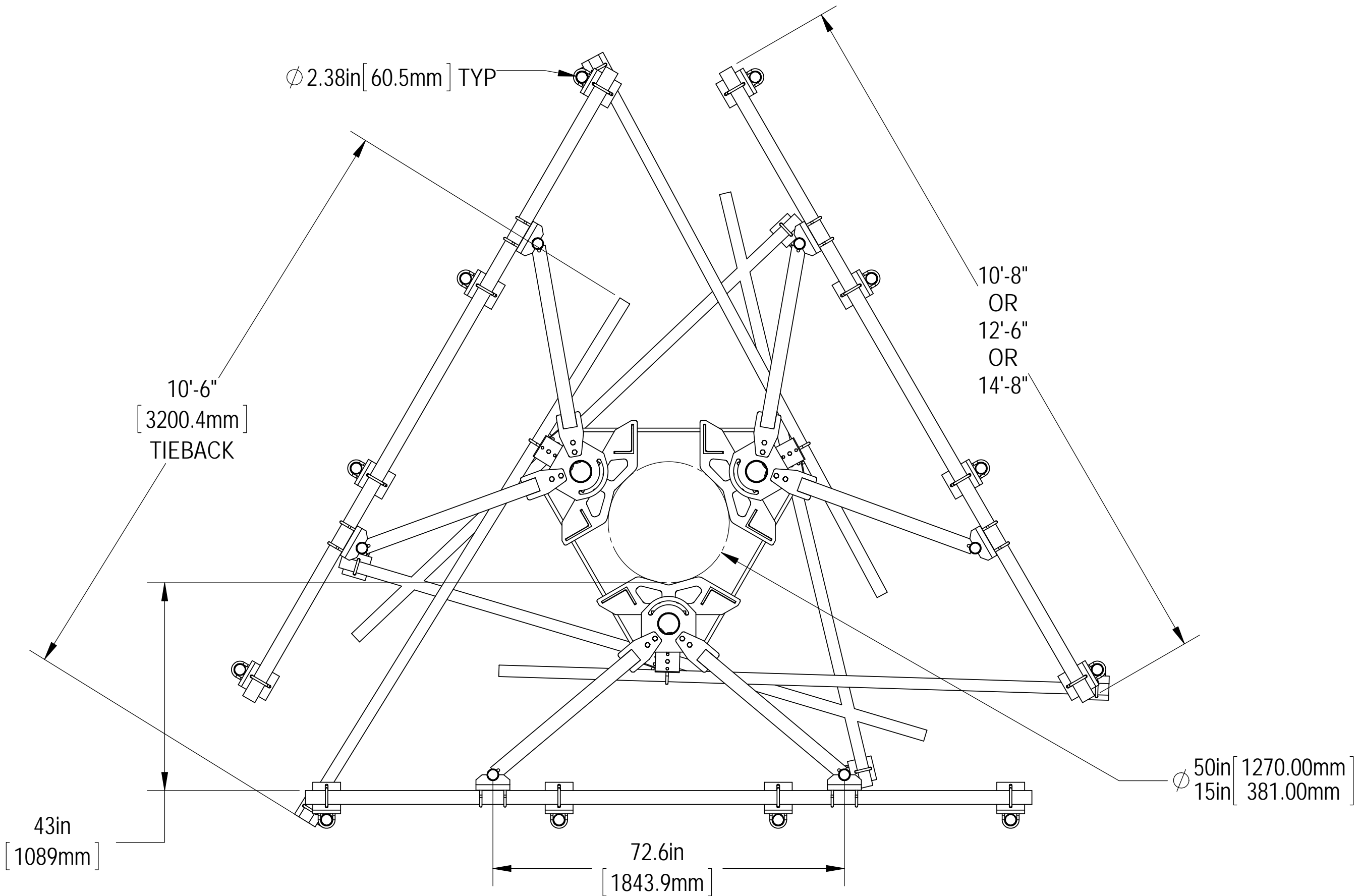
2

1

NOTES:

TIP SEPERATION CHART

FACE PIPE LENGTH	RINGMOUNT OD	TIP SEPERATION
10'	15"	22.93"
10'	50"	54.44"
12'	15"	10.93"
12'	50"	42.44"
14'	15"	0.5"
14'	50"	30.5"



PATENT PENDING

COMMScope, INC. OF NORTH CAROLINA

TITLE
MONOPOLE COLOCATION SECTOR FRAME, HD

SIZE C	SCALE 1:20	DOCUMENT NO. MCG23HD SERIES
------------------	----------------------	--------------------------------

DRAWING			SHEET 3 OF 7
VERSION	STATUS	REVISION C	

© 2015 CommScope, Inc. Confidential

4

3

2

1

D

D

C

C

B

B

A

A

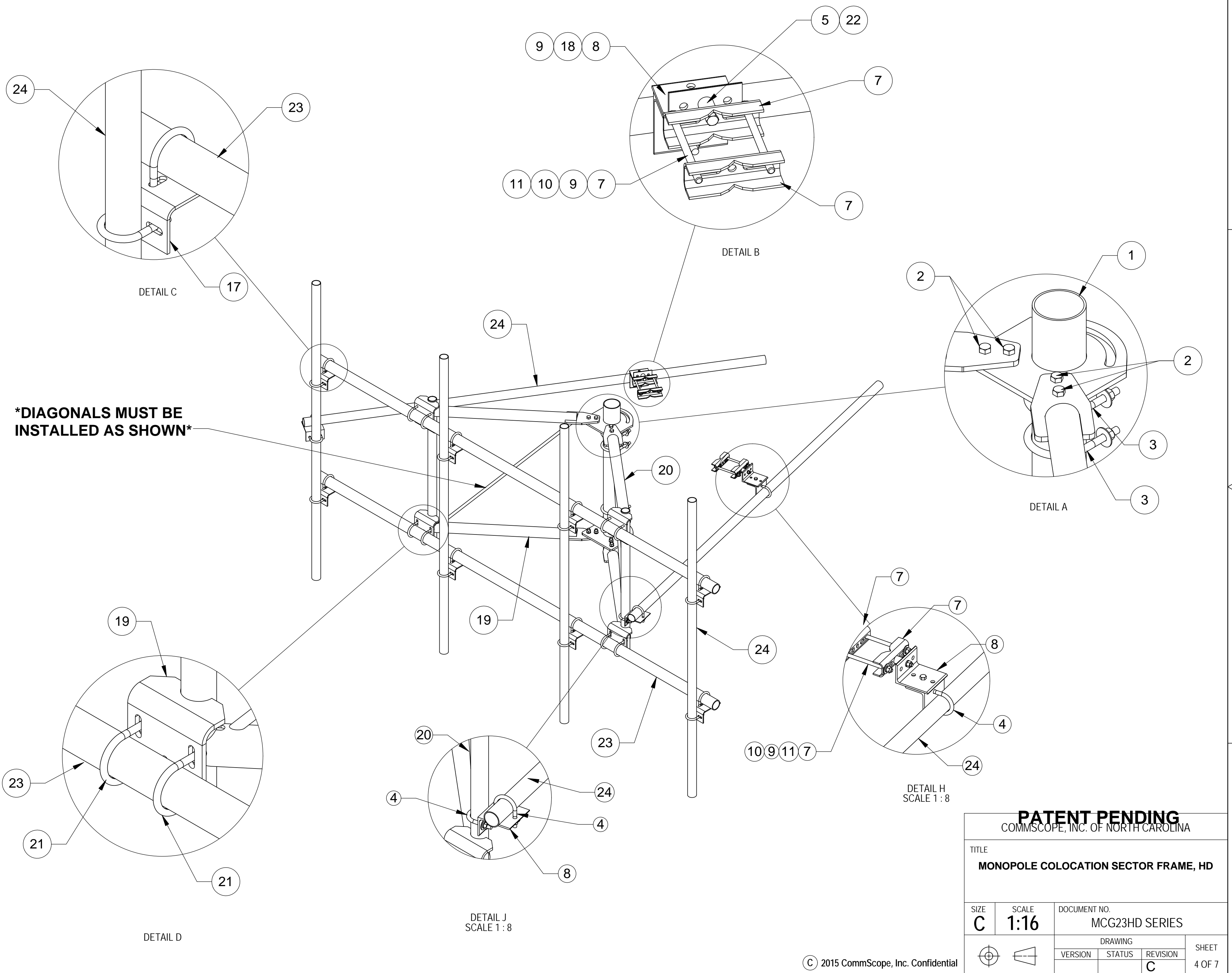
4

3

2

1

NOTES:



DIAGONALS MUST BE INSTALLED AS SHOWN

PATENT PENDING
COMMSCOPE, INC. OF NORTH CAROLINA

TITLE		MONOPOLE COLOCATION SECTOR FRAME, HD		
SIZE	SCALE	DOCUMENT NO.		
C	1:16	MCG23HD SERIES		
DRAWING		VERSION	STATUS	REVISION
				C
SHEET				4 OF 7

© 2015 CommScope, Inc. Confidential

4

3

2

1

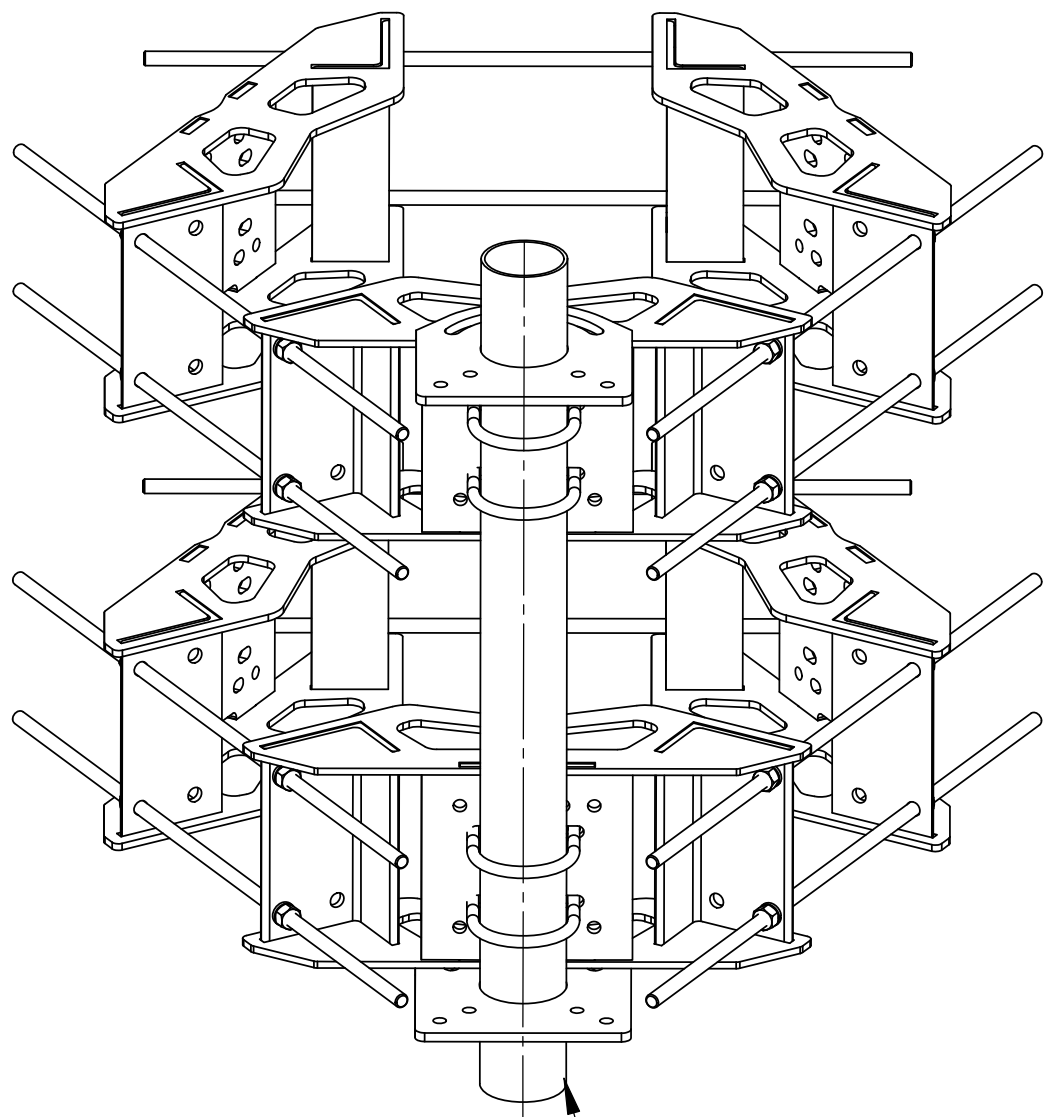
4

3

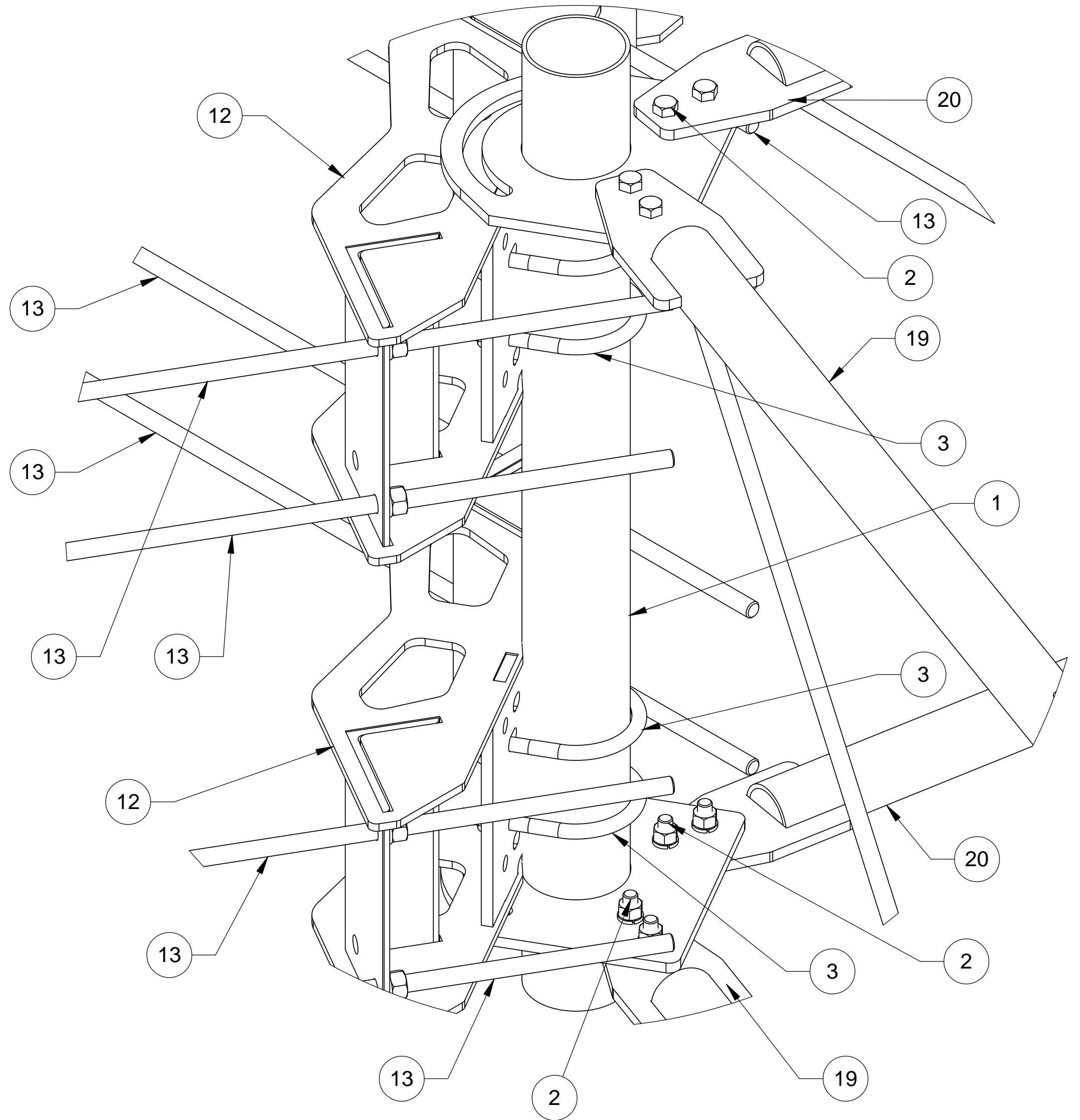
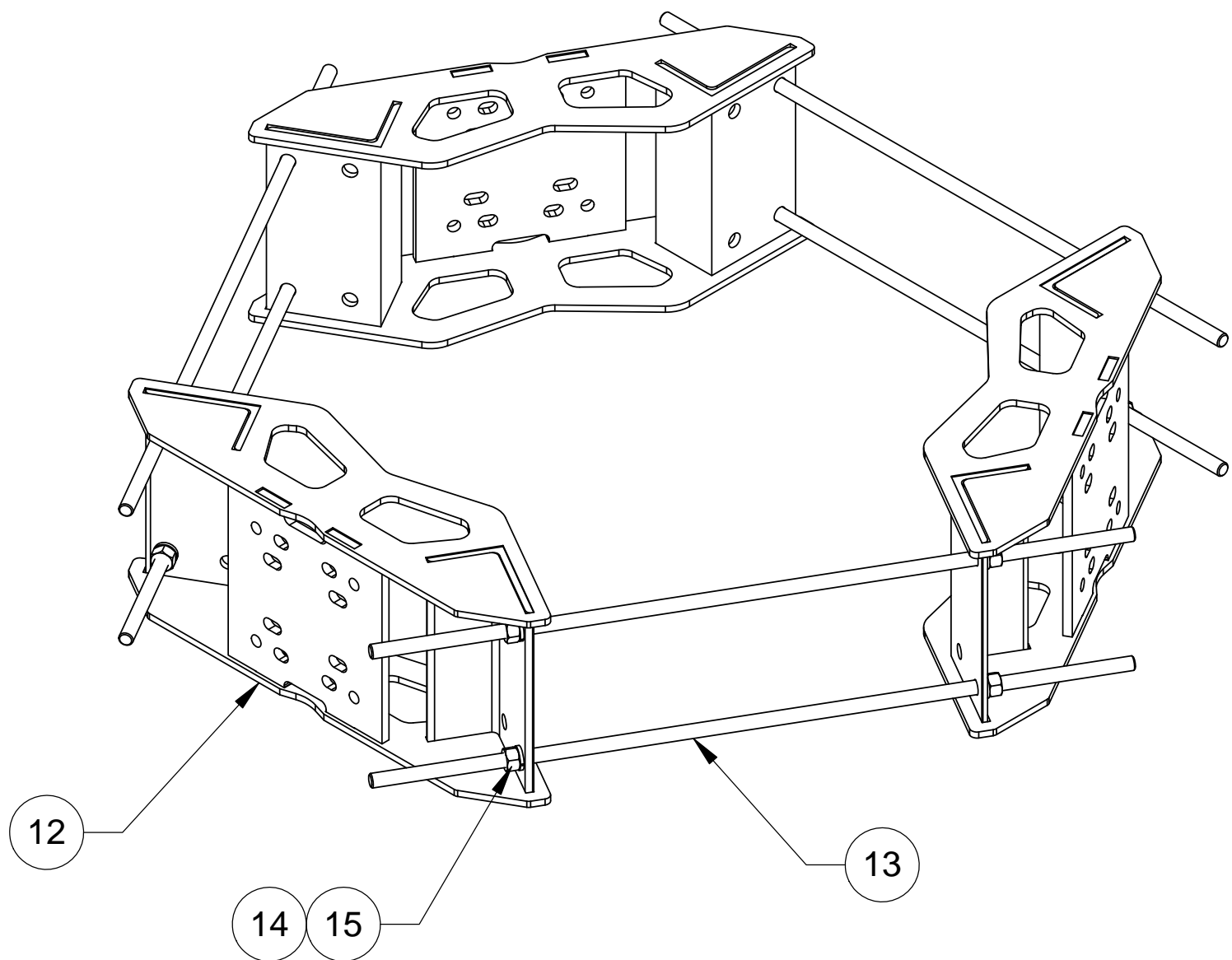
2

1

NOTES:



RINGMOUNT SECTOR CENTERLINE
MUST VERTICALLY ALIGN TO ALLOW
SECTOR FRAME SPLINE PROPER MOUNTING



DETAIL G
SCALE 1:4

PATENT PENDING

COMMSCOPE, INC. OF NORTH CAROLINA

TITLE
MONOPOLE COLOCATION SECTOR FRAME, HD

SIZE C	SCALE 1:6	DOCUMENT NO. MCG23HD SERIES
------------------	---------------------	--------------------------------

DRAWING			SHEET 5 OF 7
VERSION	STATUS	REVISION C	

© 2015 CommScope, Inc. Confidential

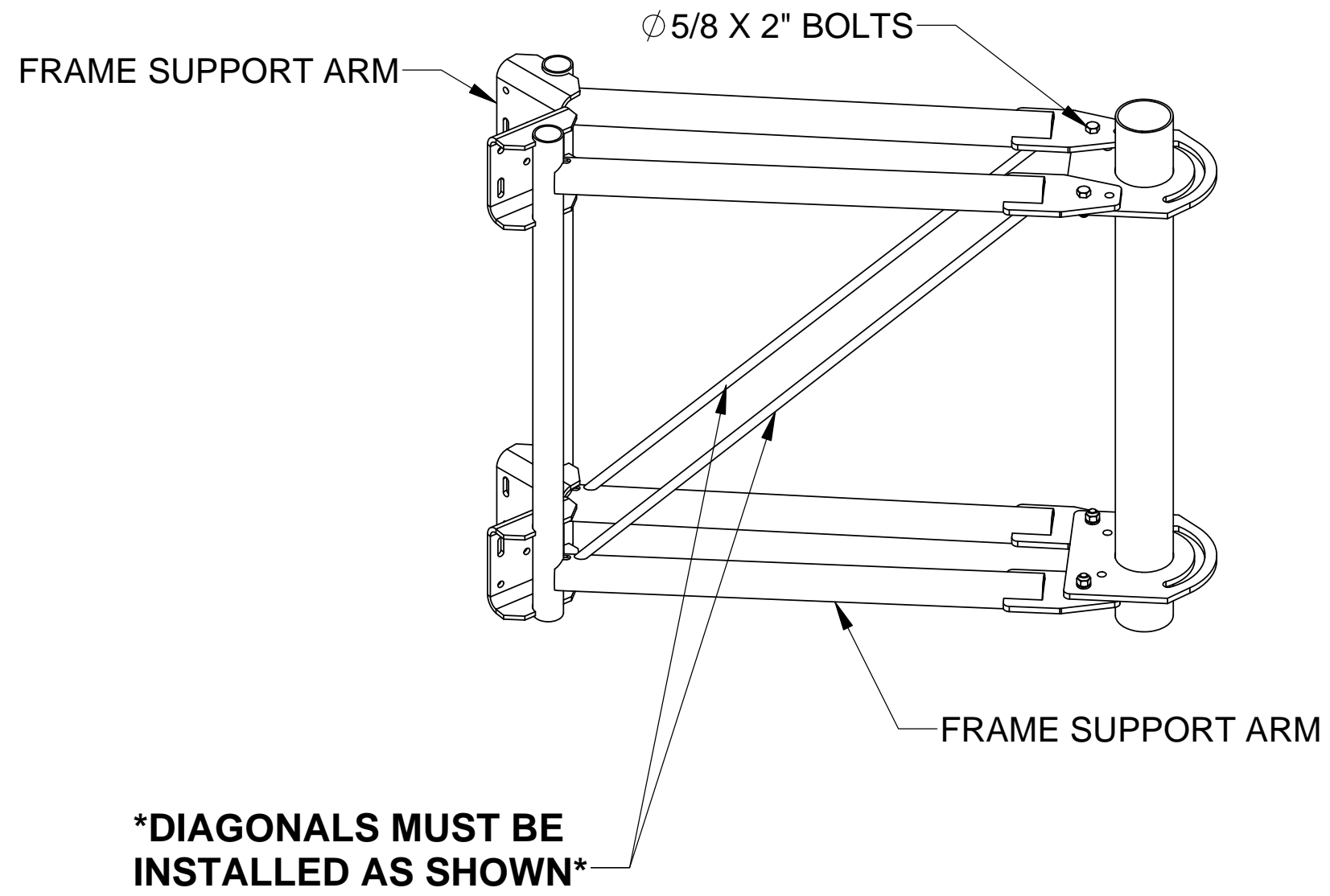
4

3

2

1

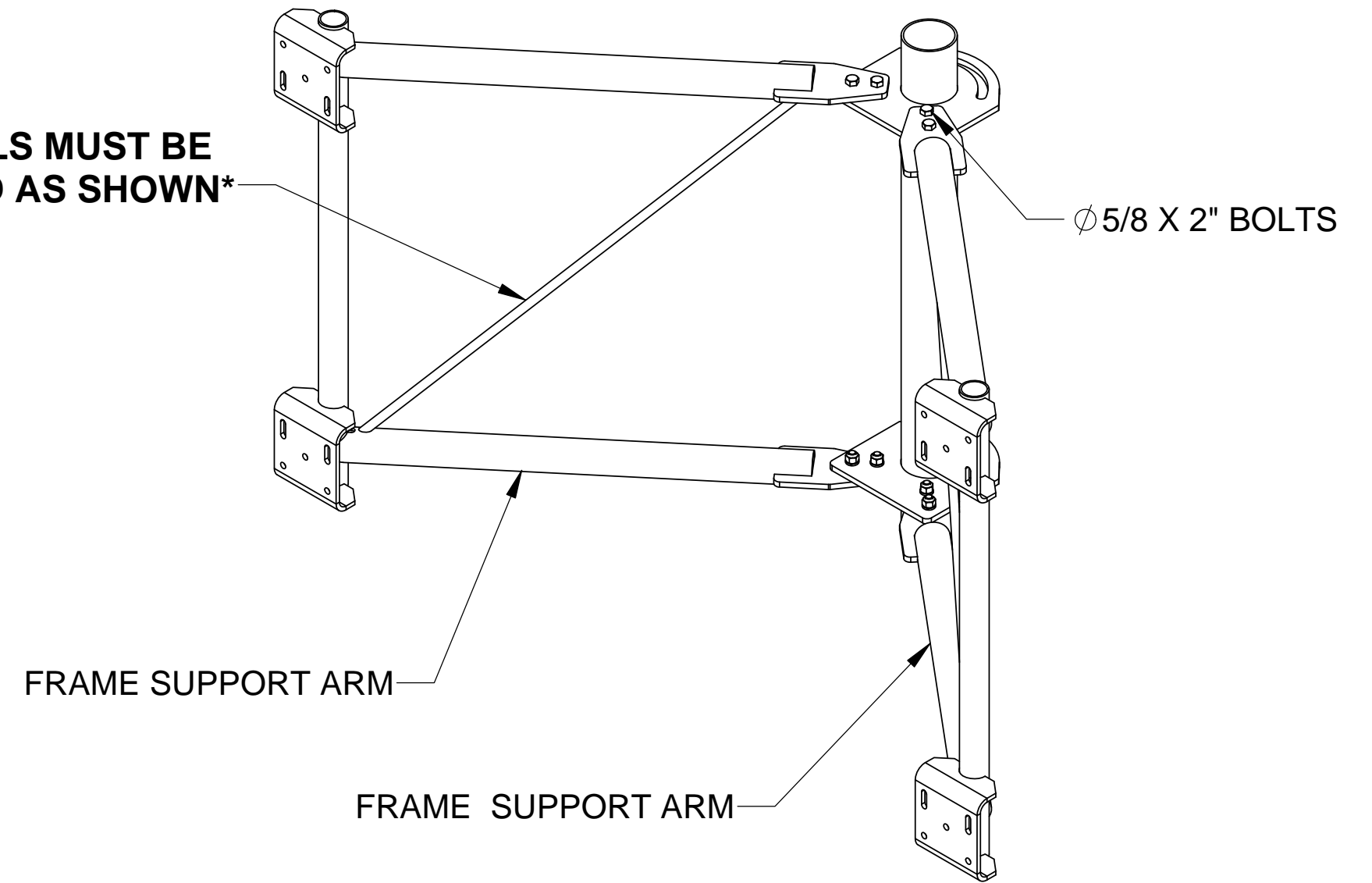
NOTES: **STEP 1: LOOSEN ϕ 5/8 HARDWARE TO OPEN FRAME SUPPORT ARMS.**



STEP 2: OPEN FRAME SUPPORT ARMS AND INSTALL (4) ϕ 5/8 X 2" BOLTS.

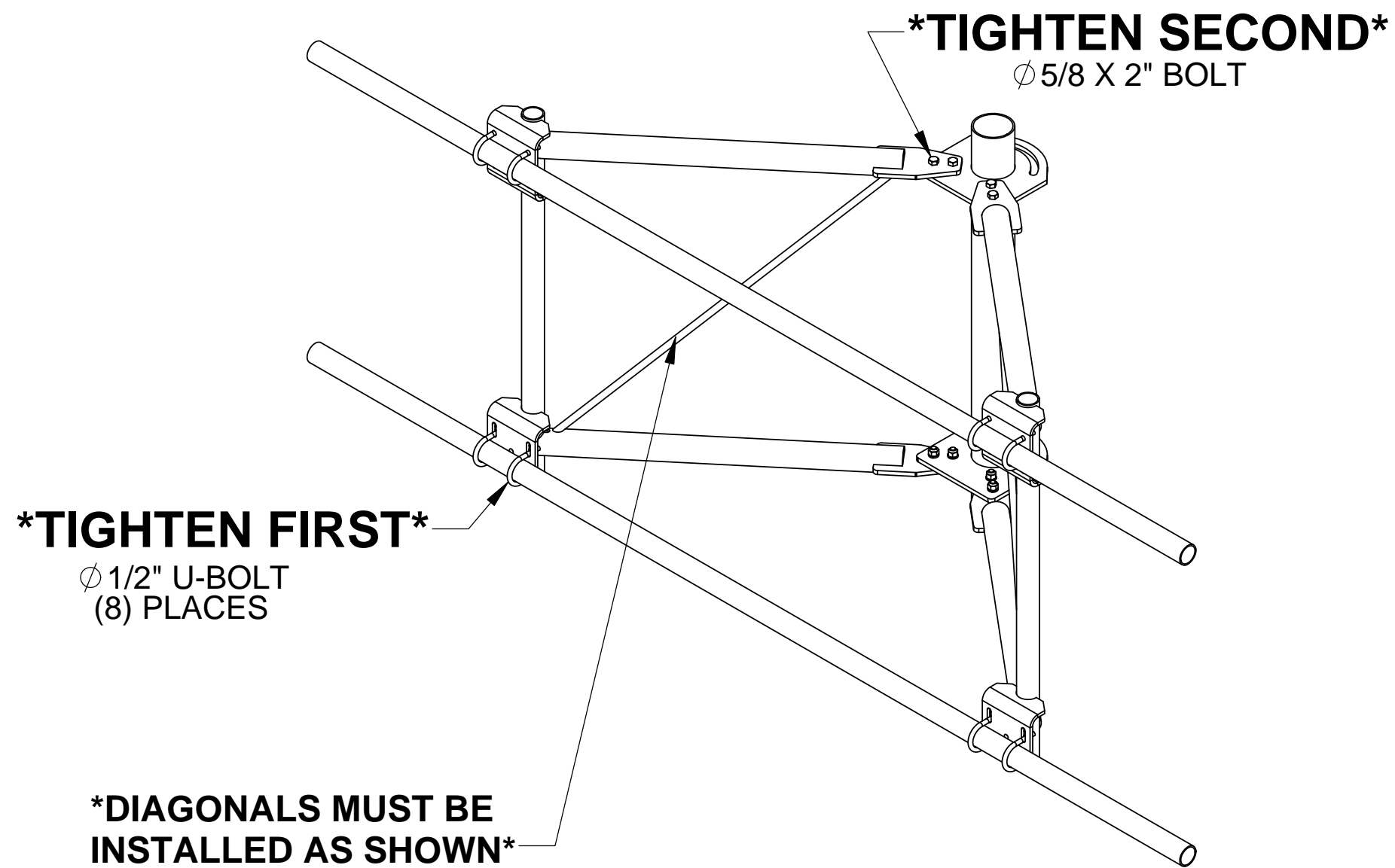
*** DO NOT TIGHTEN ϕ 5/8" BOLTS AT THIS TIME.***

DIAGONALS MUST BE INSTALLED AS SHOWN



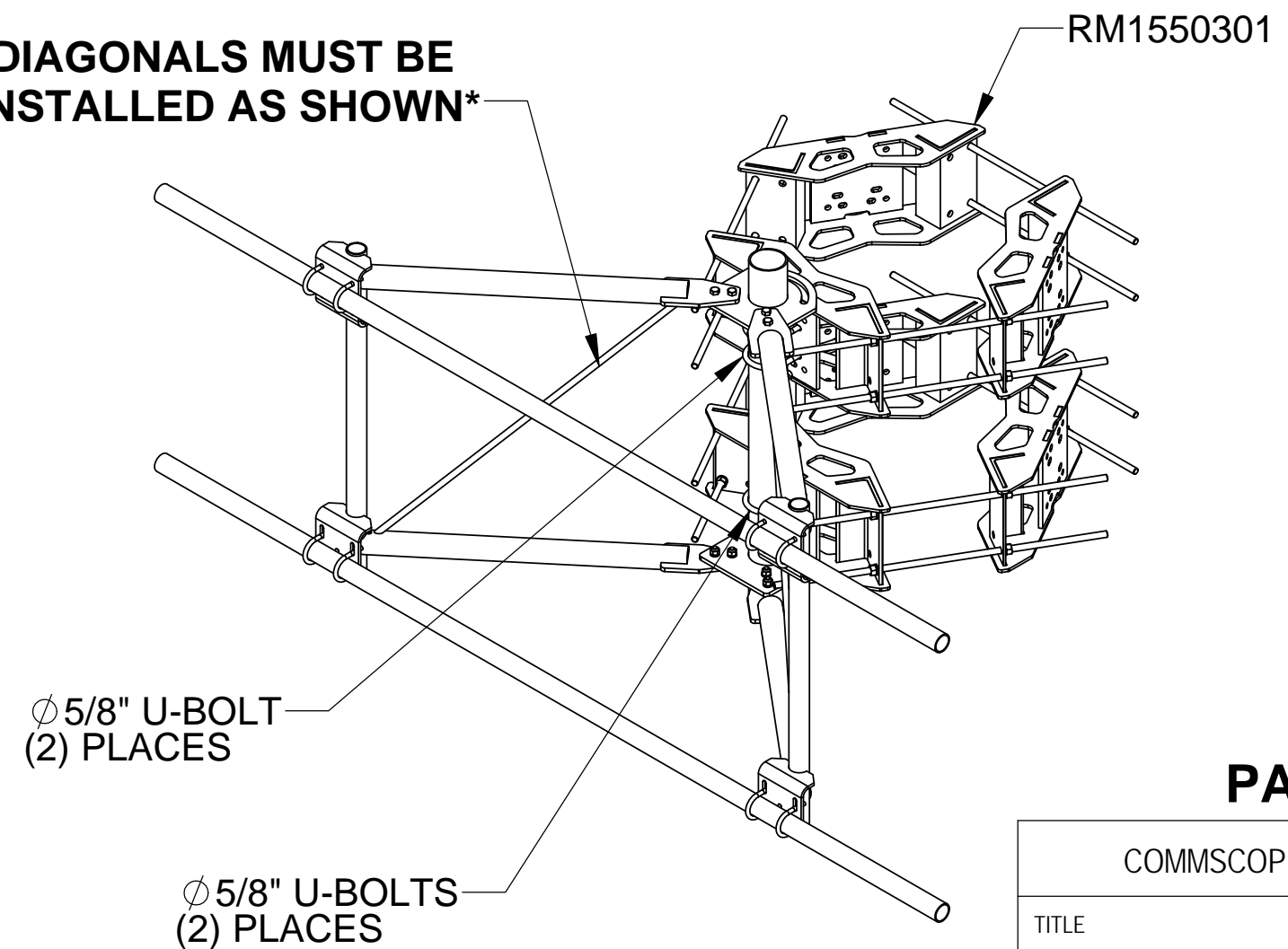
STEP 3: INSTALL FACE PIPES AND ϕ 1/2" U-BOLTS

TIGHTEN U-BOLTS FIRST AND ϕ 5/8" BOLTS SECOND



STEP 4: ASSEMBLE TO RING MOUNT

DIAGONALS MUST BE INSTALLED AS SHOWN



PATENT PENDING

COMMSCOPE, INC. OF NORTH CAROLINA

TITLE
MONOPOLE COLOCATION SECTOR FRAME

SIZE C	SCALE 1:6	DOCUMENT NO. MCG23 SERIES
------------------	---------------------	------------------------------

DRAWING			SHEET 6 OF 7
VERSION	STATUS	REVISION	
		C	

4

3

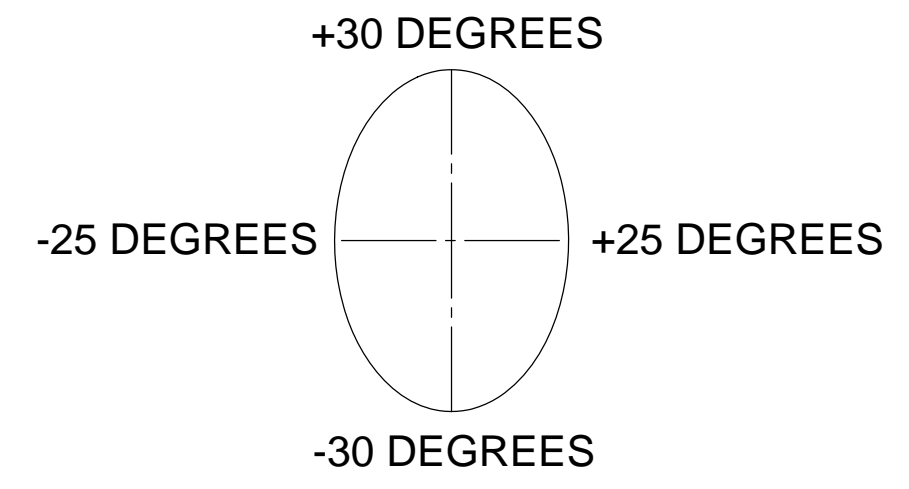
2

1

NOTES:

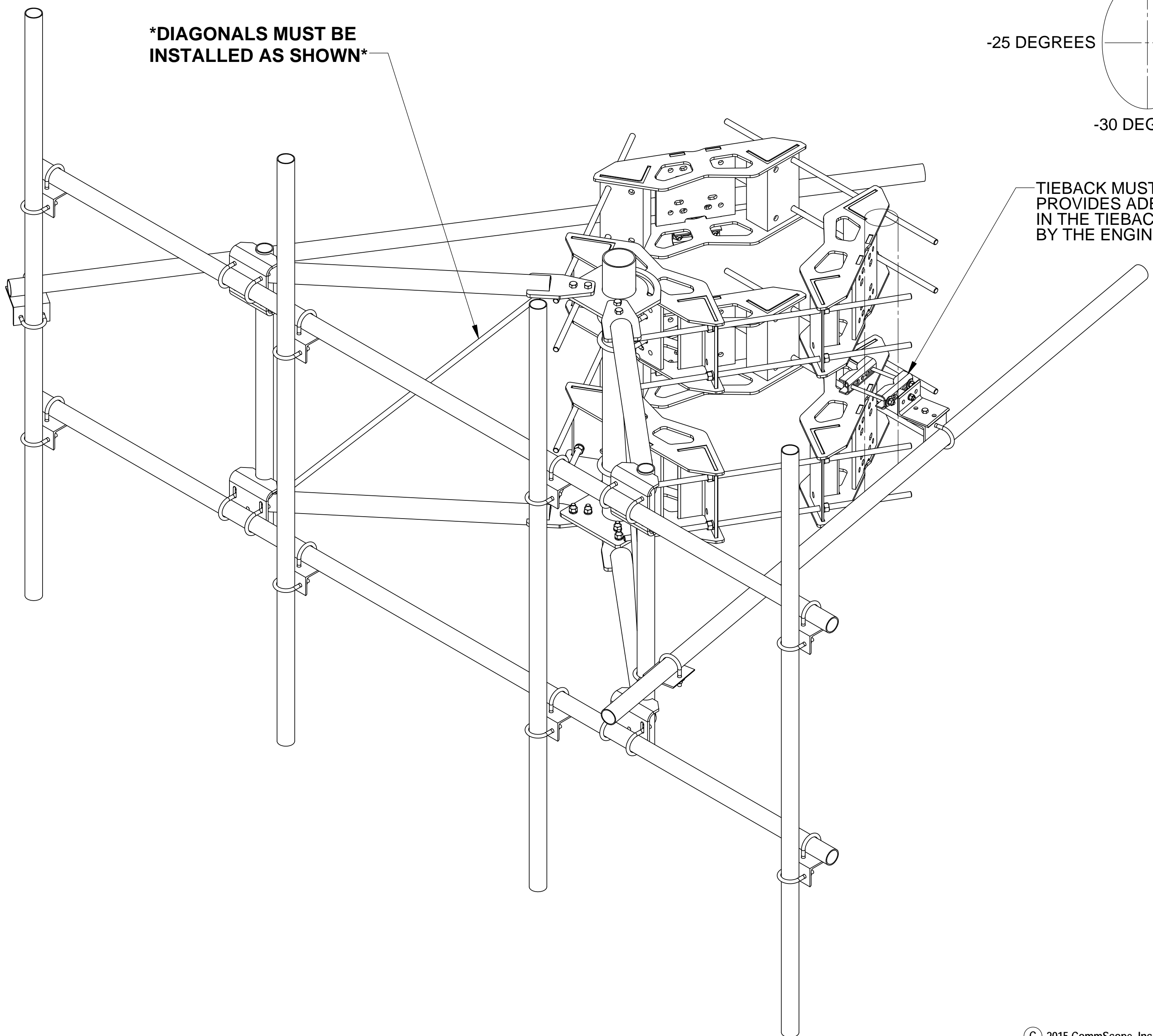
TIEBACK ANGLE RANGE DETAIL

± 15 DEGREES VERTICAL
± 25 DEGREES HORIZONTAL



DIAGONALS MUST BE INSTALLED AS SHOWN

TIEBACK MUST BE CONNECTED TO A RIGID MEMBER THAT PROVIDES ADEQUATE SUPPORT WITHIN THE LIMITS NOTED IN THE TIEBACK ANGLE RANGE DETAIL. UNLESS APPROVED BY THE ENGINEER OF RECORD.



PATENT PENDING

COMMScope, INC. OF NORTH CAROLINA				
TITLE MONOPOLE COLOCATION SECTOR FRAME				
SIZE C	SCALE 1:6	DOCUMENT NO. MCG23 SERIES		
DRAWING		VERSION	STATUS	REVISION
				C
				SHEET 7 OF 7

© 2015 CommScope, Inc. Confidential

4

3

2

1

D

D

C

C

B

B

A

A