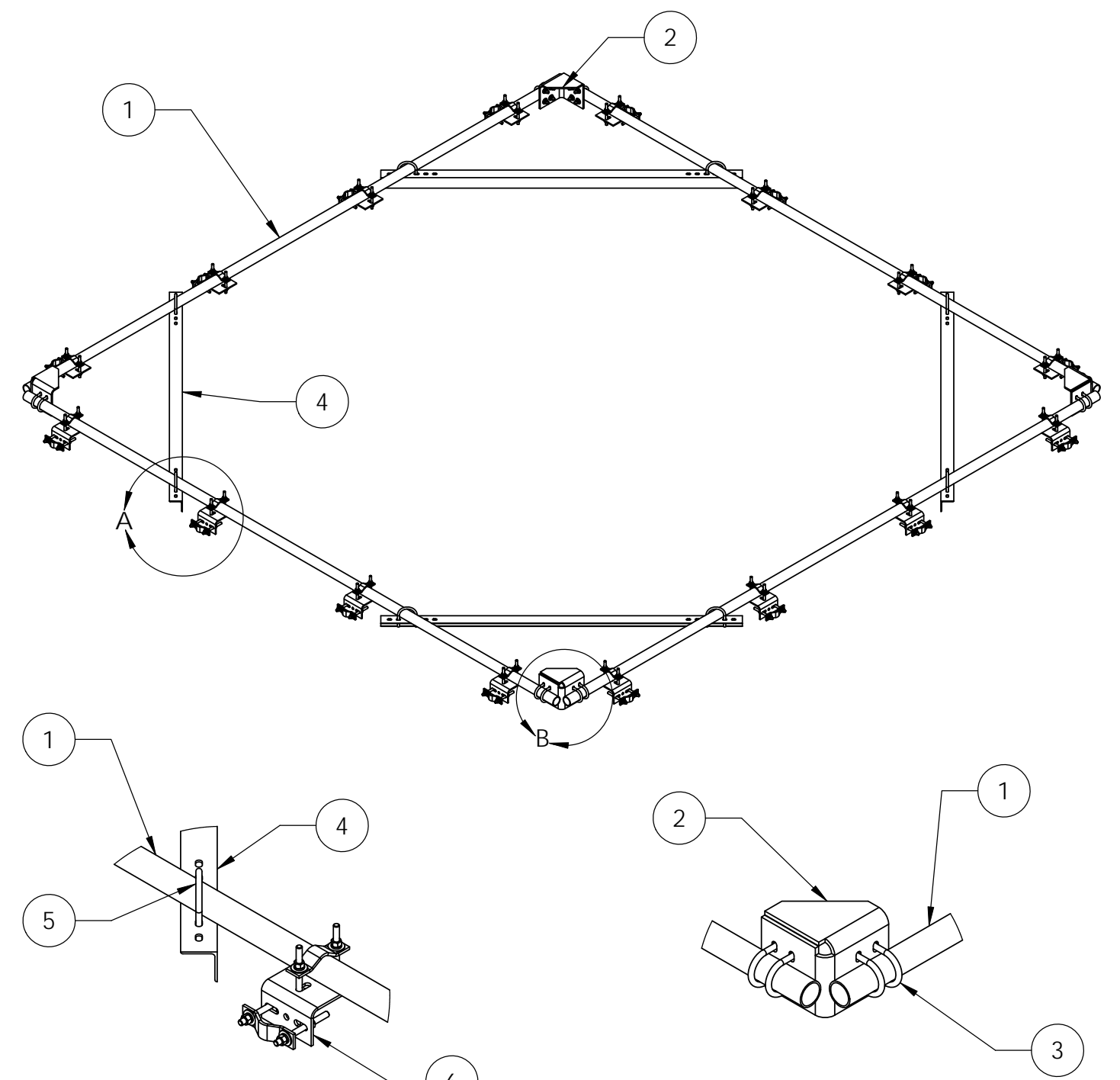
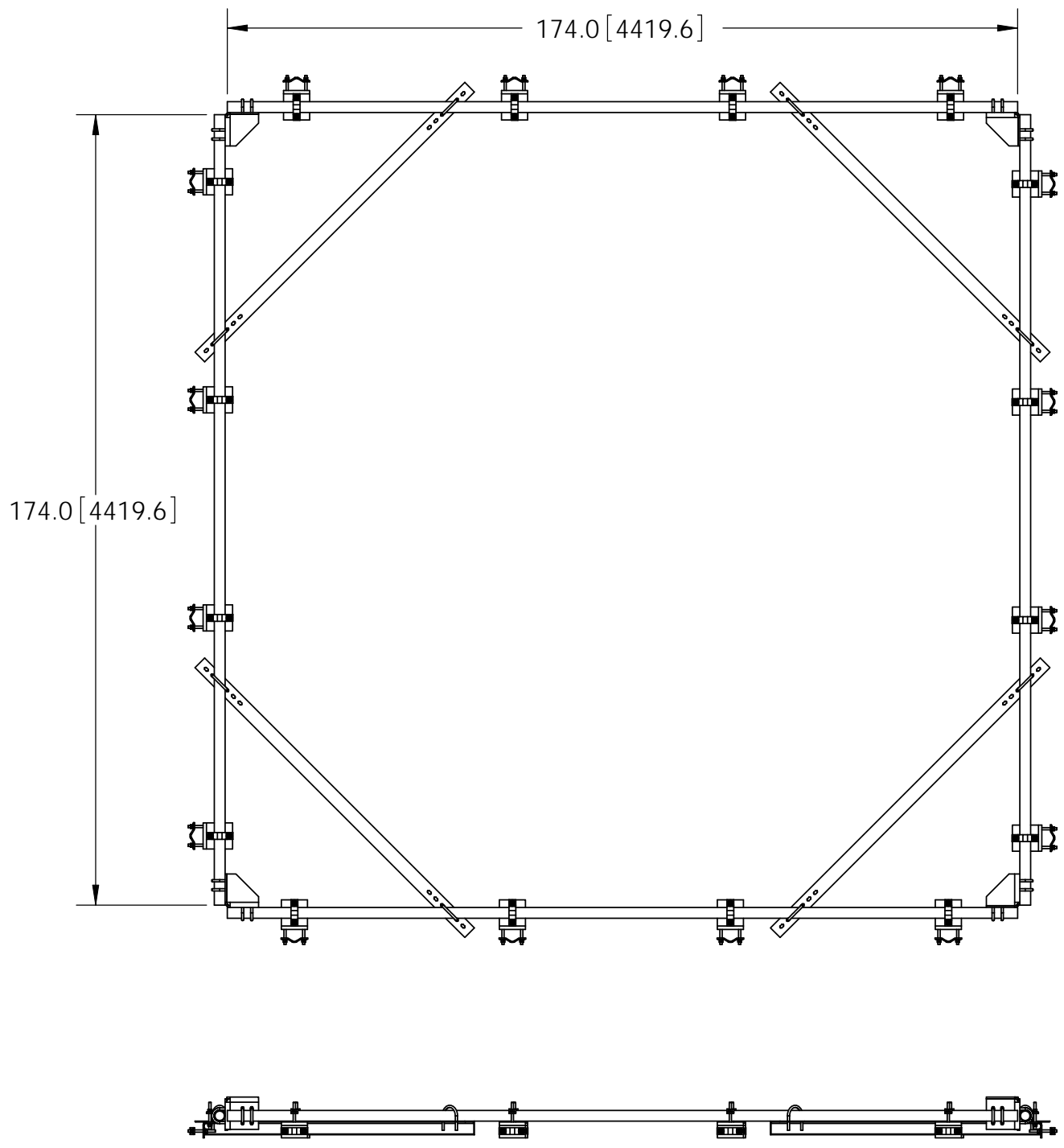


ITEM	PART NO.	DESCRIPTION	QTY.	WEIGHT
1	MT-537-174	Ø2.375" OD x 174" PIPE	4	53.16 LBS
2	MTC343201	Corner Bracket	4	13.18 LBS
3	GUB-4240	1/2" X 2-1/2" X 4" GALV U-BOLT	16	0.56 LBS
4	MTC343203	Handrail Support Angle	4	25.60 LBS
5	GUB-4355	1/2" X 3-5/8" X 5" GALV U-BOLT	8	0.71 LBS
6	XA-U	UNIVERSAL CROSSOVER ANGLE	8	6.85 LBS

REVISIONS				
REV.	ZONE	DESCRIPTION	BY	DATE
A		INITIAL RELEASE	DRR	11/20/12



DETAIL A
SCALE 1 : 12

DETAIL B
SCALE 1 : 12

NOTES:
1. ALL METRIC DIMENSIONS ARE IN BRACKETS.

<p>These drawings and specifications are the proprietary property of CommScope Inc. and may be used only for the specific purpose authorized in writing by CommScope Inc.</p> <p>ALL DIMENSIONS ARE IN INCHES U.O.S. TOLERANCES UNLESS OTHERWISE SPECIFIED: .X = ± .12 ANGLES ±2° .XX = ± .06 FRACTIONS ±1/32 .XXX = ± .031</p> <p>REMOVE BURRS AND BREAK EDGES .005</p> <p>DO NOT SCALE THIS PRINT</p>	<p>DRAWN BY: DRR</p> <p>CHECKED BY: TP</p> <p>DATE: 01/21/12</p> <p>REVISION: A</p>	<p>SHEET: 1 of 1</p> <p>SCALE: NTS</p> <p>MATERIAL: A500, A36</p> <p>FINISH: GALV A123</p> <p>WEIGHT: 494.89 LBS</p>	<p>PART NUMBER: MC-TR4-14</p> <p>DESCRIPTION: 14' UNIVERSAL HAND RAIL KIT</p> <p>DRAWING TYPE: ASSEMBLY DRAWING</p>
			<p>WESTCHESTER, IL. 60154 U.S.A.</p>