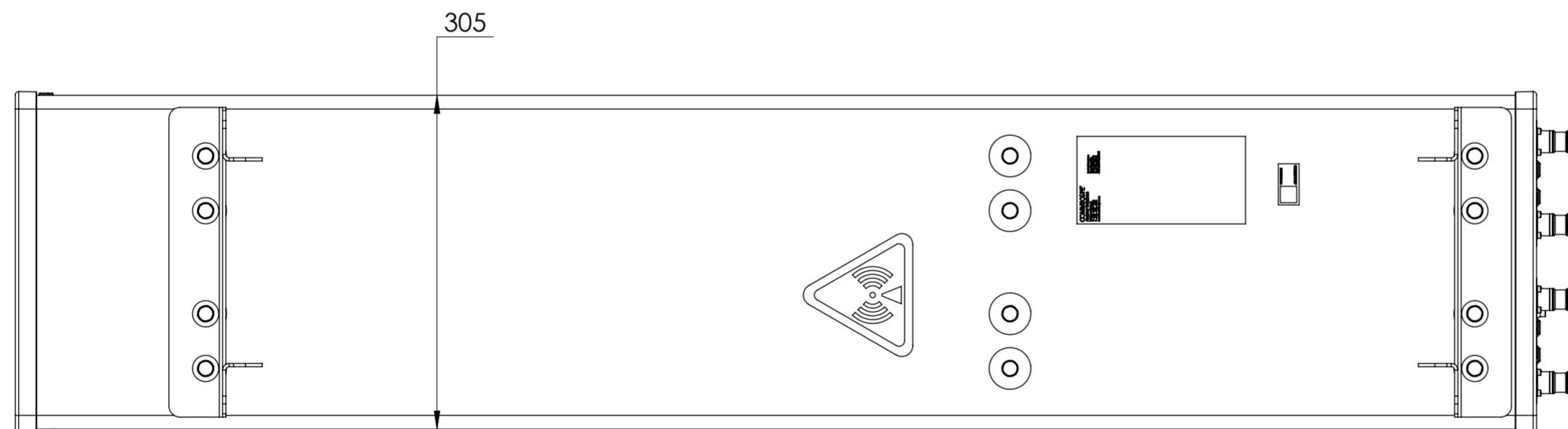
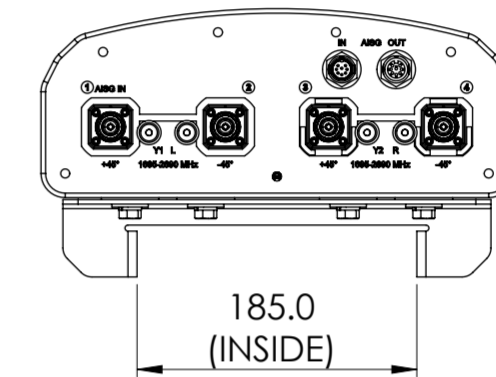
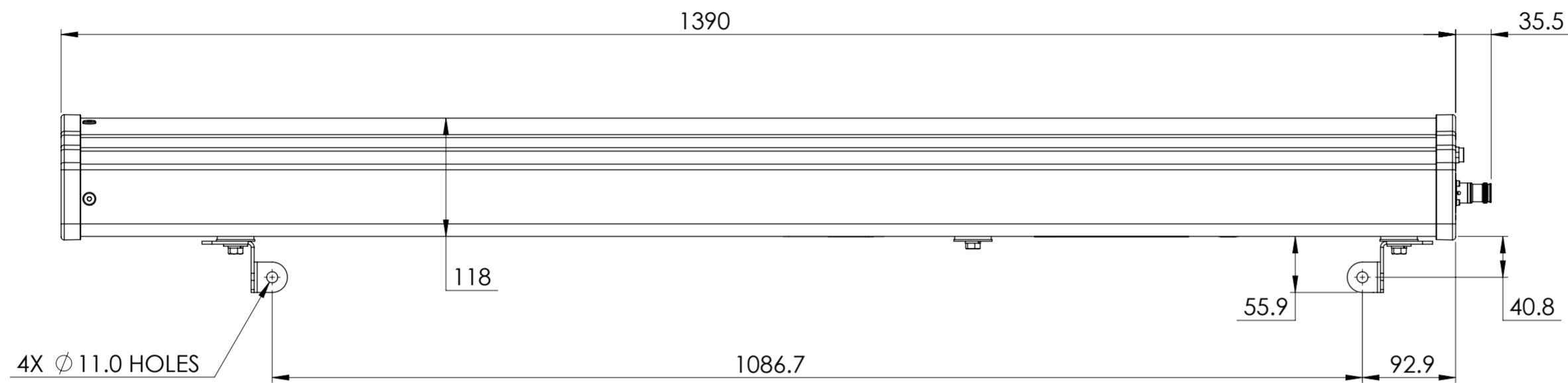


REVISIONS			
REV.	DESCRIPTION	DATE	APPROVED
A	ECR 8000031991: REL TO PRODUCTION PER EAO 606044.	30SEP18 HWW	KEL/REX



VV-65A-R1B-V2

<b>COMMSCOPE, INC. OF NORTH CAROLINA</b>										
TOLERANCES					SAP MATERIAL MASTER					
0 PLACE X ±		2 PLACE .XX ±								
1 PLACE .X ±		ANGLES ±								
FINISH					MATERIAL					
<b>PRODUCT DRAWING</b>										
SCALE <b>1:5</b>		DOCUMENT NO. <b>VV-65A-R1B-V2-L</b>								
SIZE <b>A2</b>		WORK AREA <b>23</b>		MODEL			DRAWING			SHEET
				VERSION	STATUS	REVISION	VERSION	STATUS	REVISION	1 OF 1
				00	RE	A	00	RE	A	

DENSITY	g/mm <sup>3</sup>
MASS	grams
VOLUME	mm <sup>3</sup>
SURFACE AREA	mm <sup>2</sup>
HEIGHT	
LENGTH	
WIDTH	