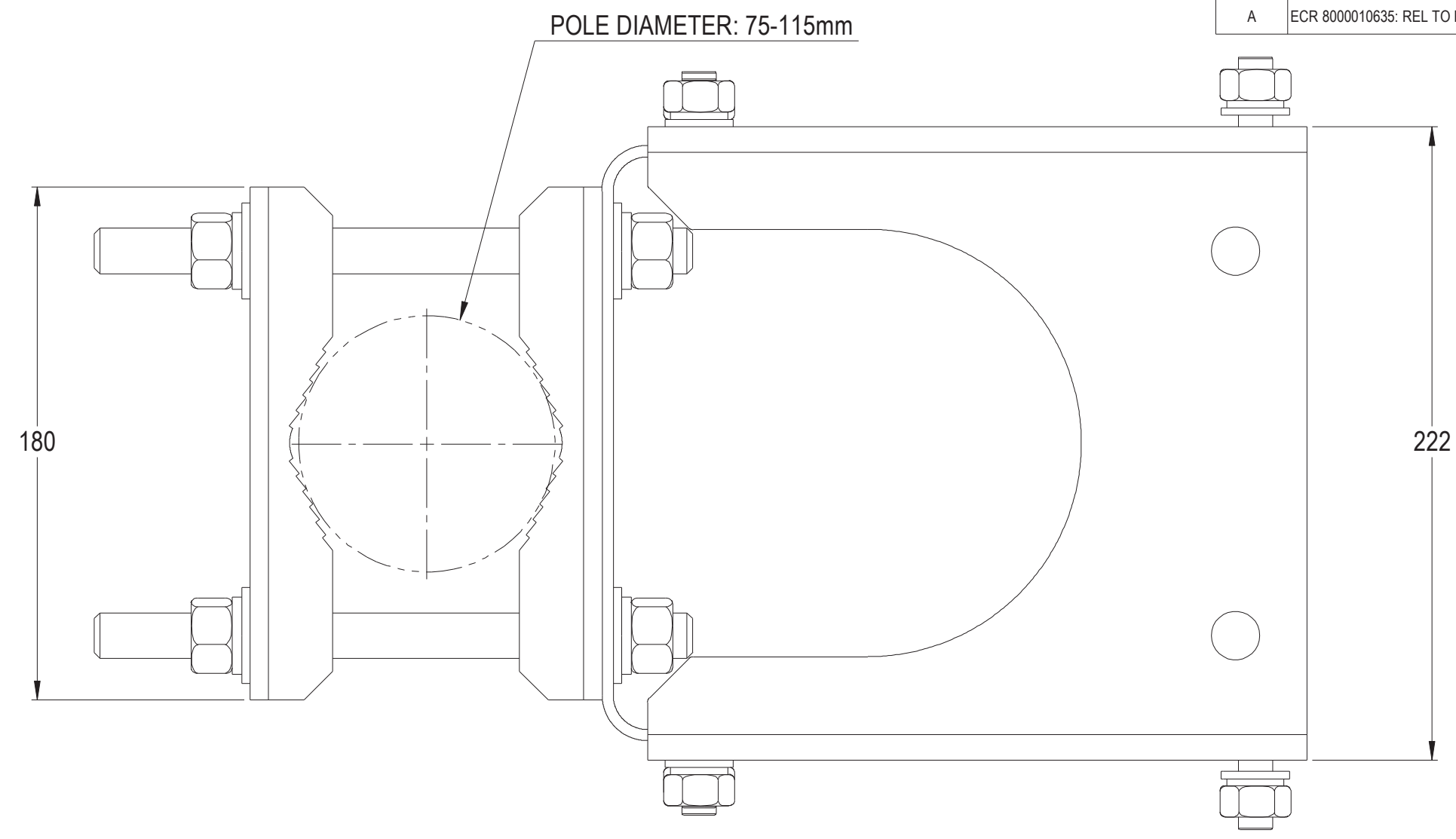
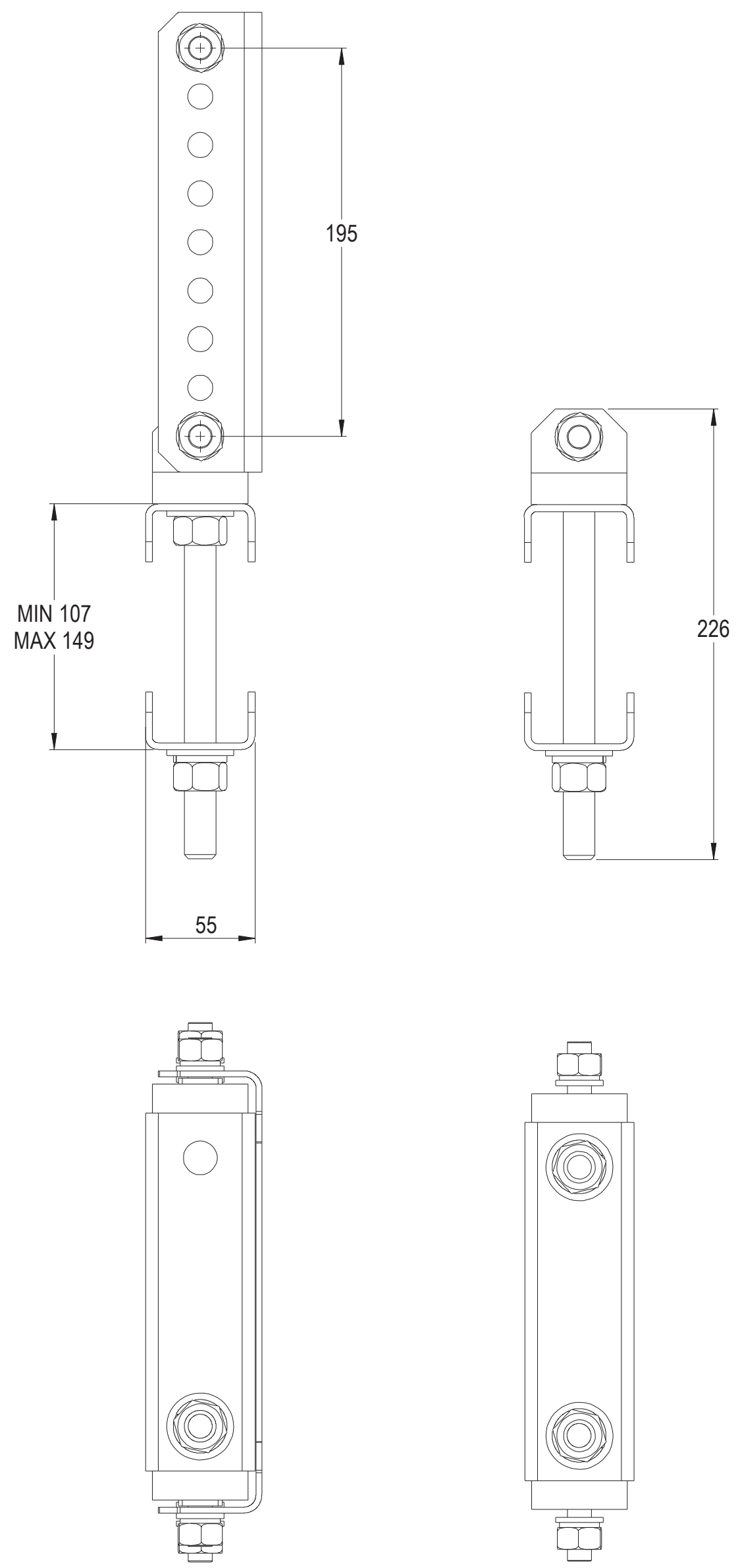
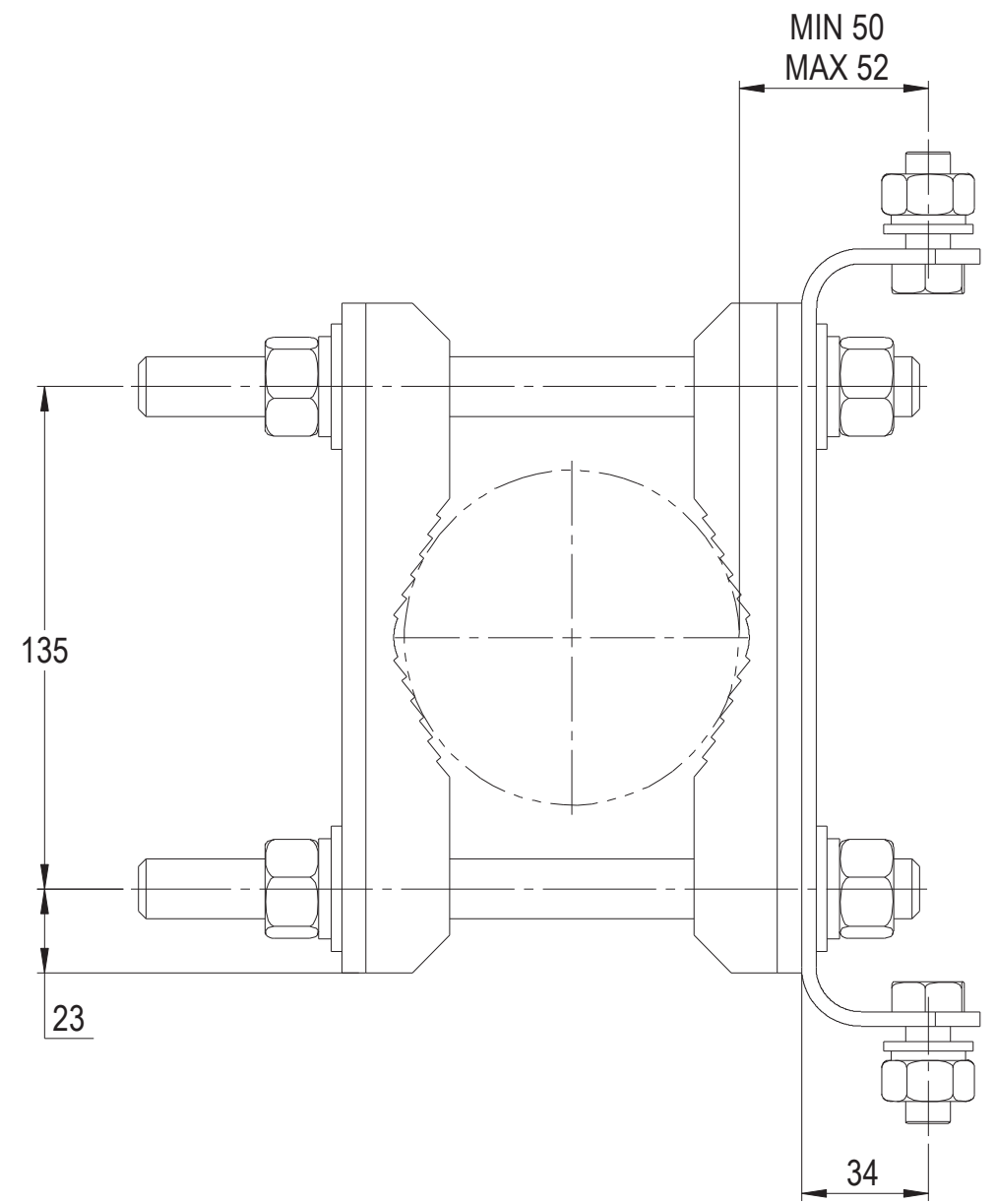


NOTES:

REVISIONS			
REV.	DESCRIPTION	DATE	APPROVED
A	ECR 8000010635: REL TO PRODUCTION.	10/19/15 J.H	MO/OI



UPPER MOUNTING BRACKET ASSEMBLY USING CLAMP BRACKET



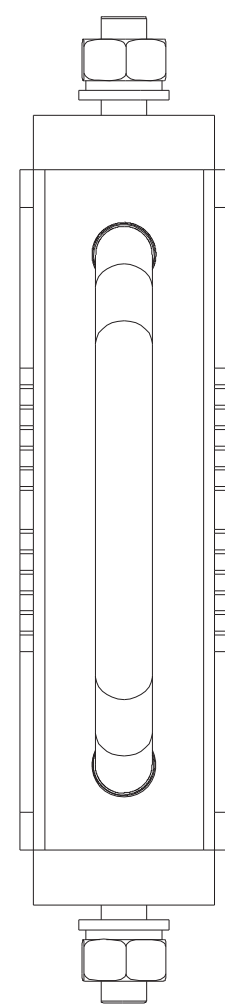
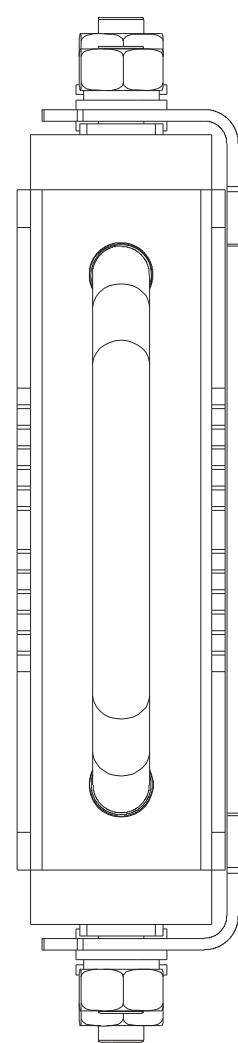
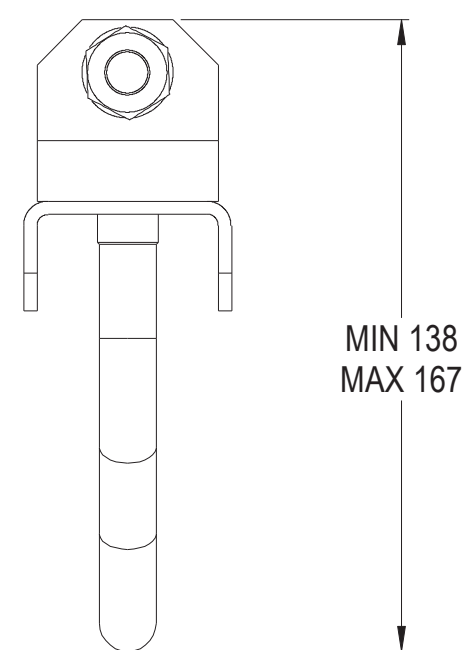
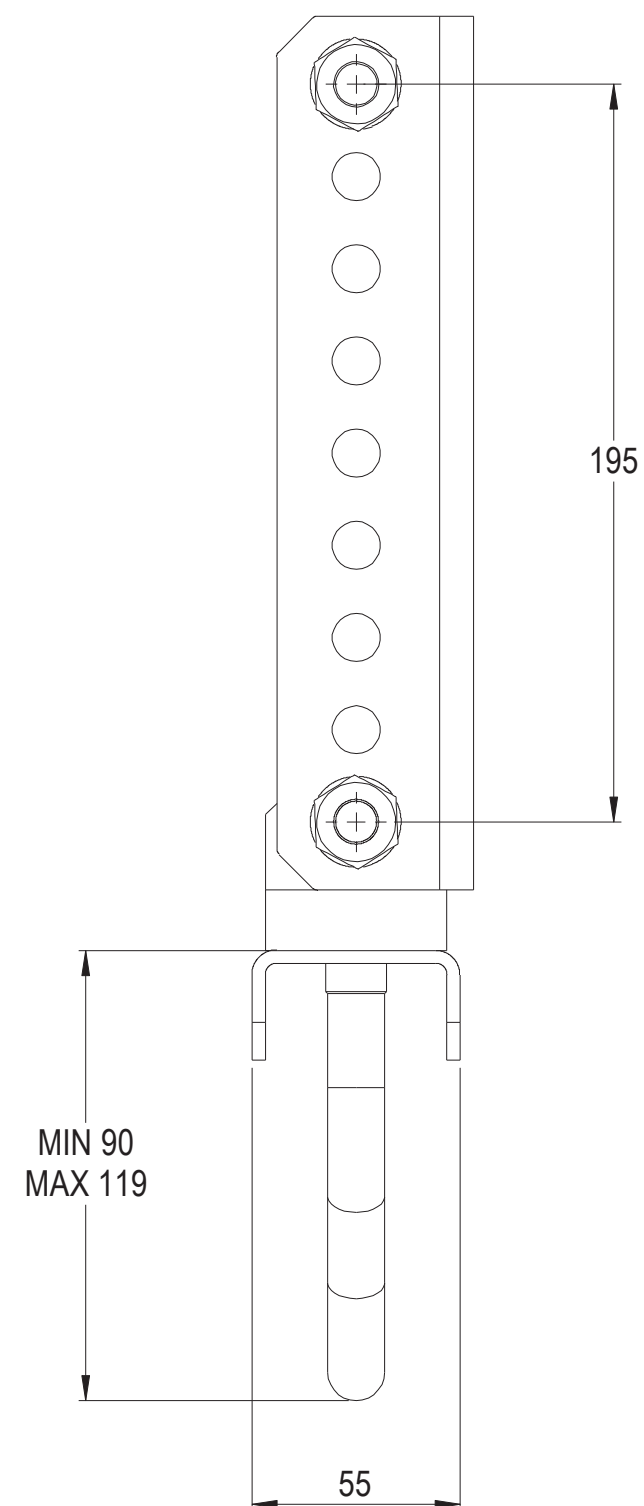
LOWER MOUNTING BRACKET ASSEMBLY USING CLAMP BRACKET

T-125-GL

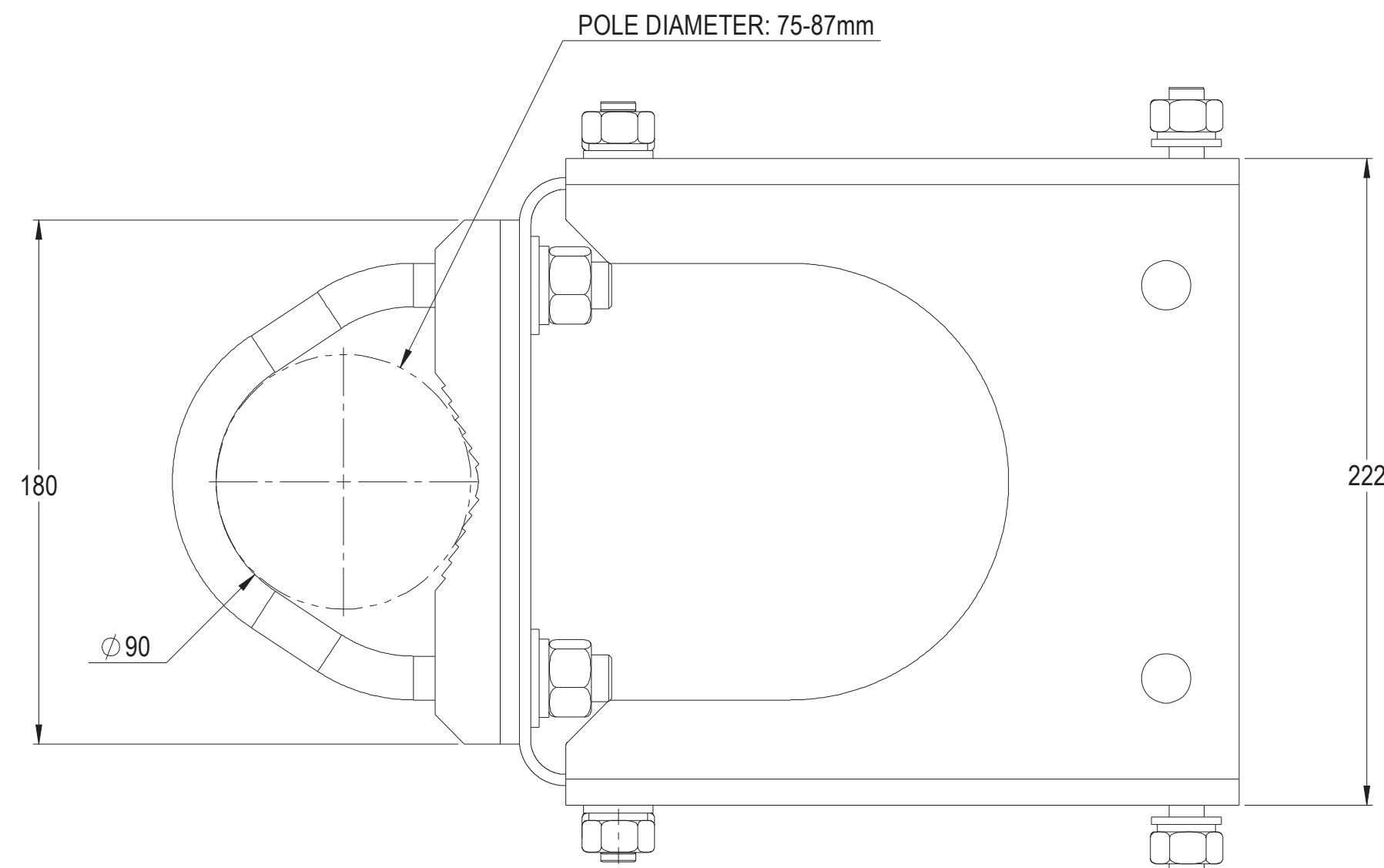
COMMSCOPE, INC. OF NORTH CAROLINA

TOLERANCES		SAP MATERIAL MASTER					
0 PLACE X±	2 PLACE .XX±						
1 PLACE .X±	ANGLES ±						
FINISH		MATERIAL					
<small>UNLESS OTHERWISE SPECIFIED DIMENSIONS ARE IN MILLIMETERS INTERPRET PER ISO STANDARDS HANDBOOK TECHNICAL DRAWINGS VOLUMES 1 & 2, THIRD EDITION (2002)</small>		NAME	DATE				
		CE K.W	18SEP15				
		RW XYHANG	10/22/2015				
		RV					
		AD MO1005	10/22/2015				
RE LONEWSOM	10/23/2015	SCALE 1:2 DOCUMENT NO. T-125-GL-L					
ECN 8000010635-O							
SIZE	WORK AREA	23	MODEL				
A2		VERSION	STATUS	REVISION	DRAWING		SHEET
		00	RE	A	00	RE	

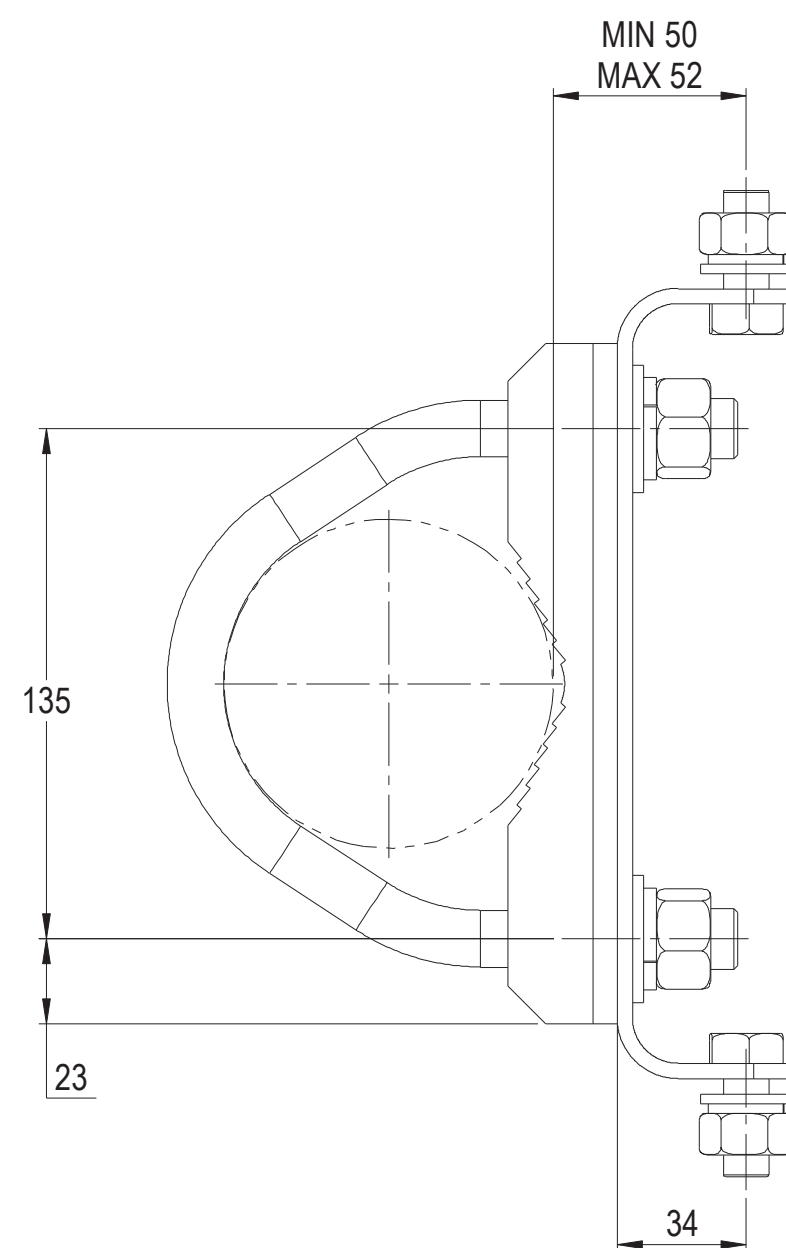
NOTES:



T-125-GL



UPPER MOUNTING BRACKET ASSEMBLY USING U-BOLT



LOWER MOUNTING BRACKET ASSEMBLY USING U-BOLT

COMMSCOPE, INC. OF NORTH CAROLINA				
TITLE				
ARGUS, MOUNT				
SIZE	SCALE	DOCUMENT NO.		
A2	1:2	T-125-GL-L		
DRAWING				SHEET
VERSION	STATUS	REVISION	2 OF 2	
00	RE	A		