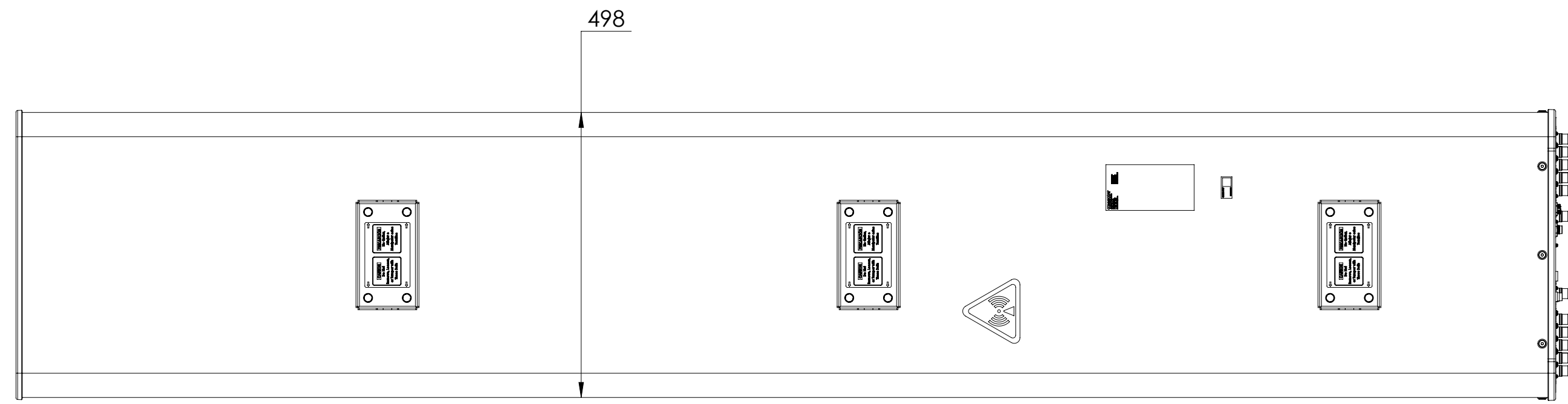
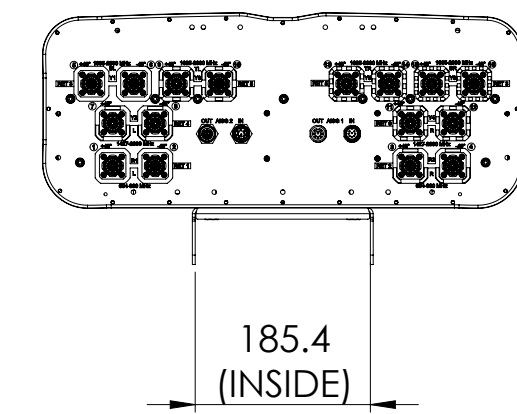
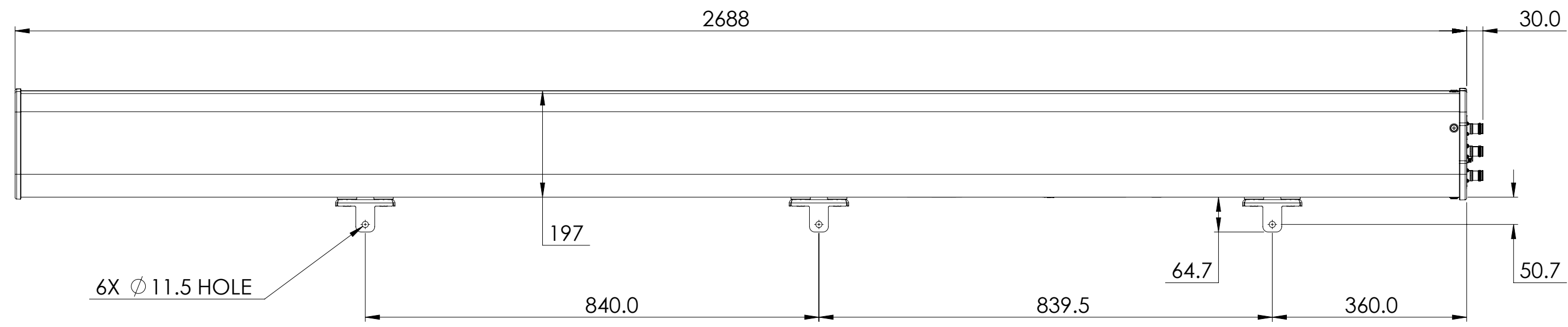


REVISIONS			
REV.	DESCRIPTION	DATE	APPROVED
A	ECR 8000037166: REL TO PRODUCTION PER EAO 607206.	09SEP19 CMY	YCLI/REX
B	ECR 8000038167: UPDATE DRAWING.	08NOV19 CMY	YCLI/REX



RRZZV4-65D-R6H4

COMMSCOPE, INC. OF NORTH CAROLINA

TOLERANCES		SAP MATERIAL MASTER	
0 PLACE X ±	2 PLACE .XX ±		
1 PLACE .X ±	ANGLES ±		
FINISH		MATERIAL	
<small>UNLESS OTHERWISE SPECIFIED DIMENSIONS ARE IN MILLIMETERS INTERPRET PER ISO STANDARDS HANDBOOK TECHNICAL DRAWINGS VOLUMES 1 & 2, THIRD EDITION (2002)</small>		NAME	DATE
		CE MC1105	09/06/2019
		RW MC1105	11/10/2019
		RV YCLI	11/10/2019
		AD YHUAN	11/11/2019
RE ZHHCHEN	11/11/2019	TITLE	
ECN 8000038167-O		PRODUCT DRAWING	
SCALE		DOCUMENT NO.	
1:8		RRZZV4-65D-R6H4-L	
SIZE	WORK AREA	MODEL	
A2	23	VERSION	STATUS
		RE	B
		DRAWING	
		VERSION	STATUS
		01	RE
		REVISION	
		01	B
		SHEET	
		1 OF 1	

DENSITY	g/mm ³
MASS	grams
VOLUME	mm ³
SURFACE AREA	mm ²
HEIGHT	
LENGTH	
WIDTH	

© 2019 CommScope, Inc.