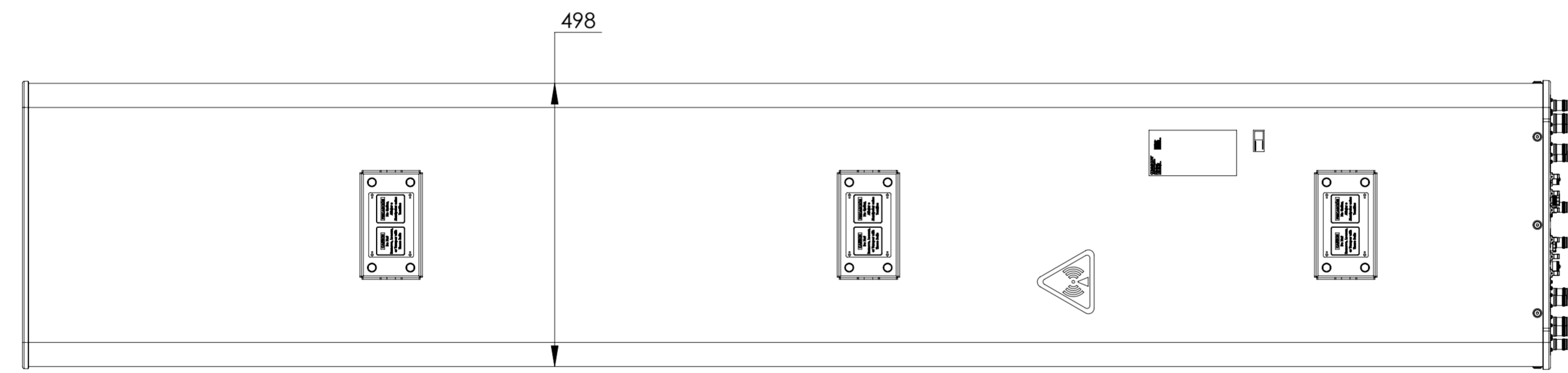
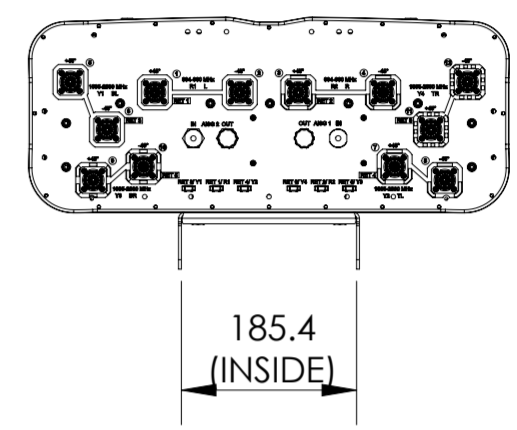
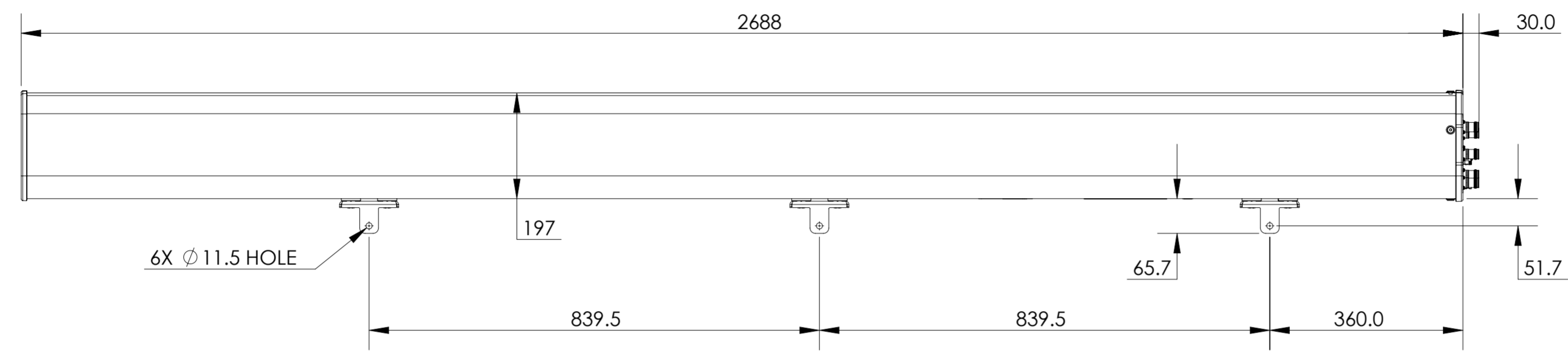


REVISIONS			
REV.	DESCRIPTION	DATE	APPROVED
A	ECR 8000036698: REL TO PRODUCTION PER EAO 607162.	26SEP19 KG	THD/RLX



RRV4-65D-R6-V2

COMMSCOPE, INC. OF NORTH CAROLINA																			
TOLERANCES					SAP MATERIAL MASTER														
0 PLACE X ±		2 PLACE .XX ±																	
1 PLACE .X ±		ANGLES ±																	
FINISH					MATERIAL														
<small>UNLESS OTHERWISE SPECIFIED DIMENSIONS ARE IN MILLIMETERS INTERPRET PER ISO STANDARDS HANDBOOK TECHNICAL DRAWINGS VOLUMES 1 & 2, THIRD EDITION (2002)</small>																			
										NAME		DATE		TITLE					
										CE KG1029		09/26/2019		PRODUCT DRAWING					
										RW KG1029		10/24/2019							
										RV HDTANG		10/27/2019							
AD LR1057		10/27/2019		SCALE		DOCUMENT NO.													
RE QS1002		11/13/2019		1:8		RRV4-65D-R6-V2-L													
ECN 8000036698-O																			
SIZE		WORK AREA		23		MODEL		DRAWING											
A2		[Symbol]		[Symbol]		VERSION		STATUS		REVISION									
		00		RE		A		00		RE									
										SHEET									
										1 OF 1									

DENSITY	g/mm³
MASS	grams
VOLUME	mm³
SURFACE AREA	mm²
HEIGHT	
LENGTH	
WIDTH	