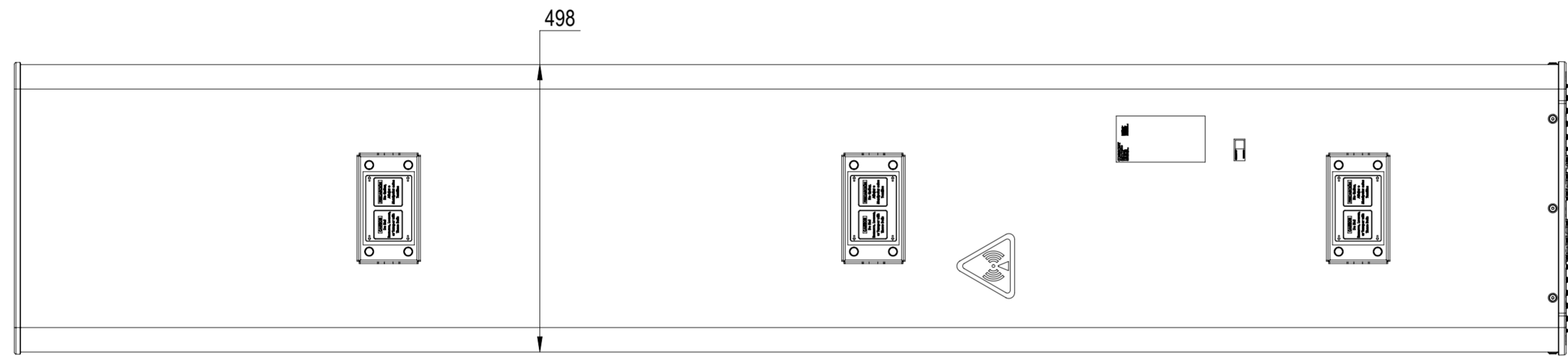
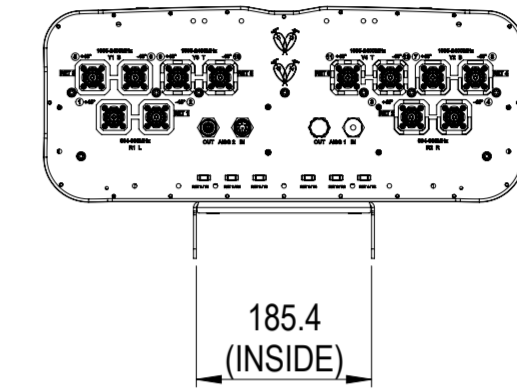
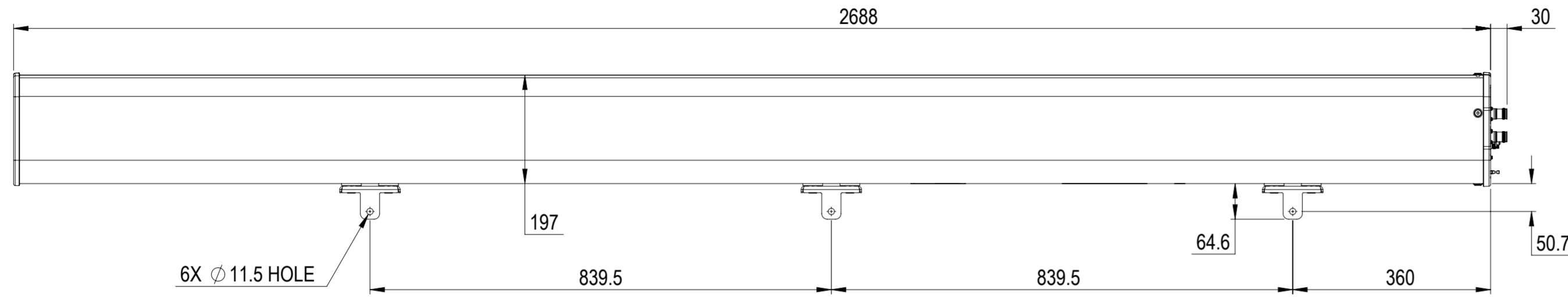


NOTES:

REVISIONS			
REV.	DESCRIPTION	DATE	APPROVED
A	ECR 8000032529: REL TO PRODUCTION PER EAO 606124.	25SEP19 QW	LP.Y/CG.N



RR2HH-6533D-R6

**COMMSCOPE, INC. OF NORTH CAROLINA**

TOLERANCES		SAP MATERIAL MASTER	
0 PLACE X ±	2 PLACE .XX ±		
1 PLACE .X ±	ANGLES ±		
FINISH		MATERIAL	
<small>UNLESS OTHERWISE SPECIFIED DIMENSIONS ARE IN MILLIMETERS INTERPRET PER ISO STANDARDS HANDBOOK TECHNICAL DRAWINGS VOLUMES 1 &amp; 2, THIRD EDITION (2002)</small>		NAME	DATE
		CE QW	9-25-2019
		RW QW1003	10/14/2019
		RV LPYANG	10/15/2019
		AD CN1021	10/16/2019
RE HZ1014	10/16/2019	TITLE	
ECN 8000032529-O		<b>PRODUCT DRAWING</b>	
SCALE	DOCUMENT NO.		
<b>1:8</b>	<b>RR2HH-6533D-R6-L</b>		
SIZE	WORK AREA	23	MODEL
<b>A2</b>		VERSION	STATUS
		00	RE
		REVISION	VERSION
		A	00
		DRAWING	STATUS
		REVISION	REVISION
		A	A
			SHEET
			1 OF 1