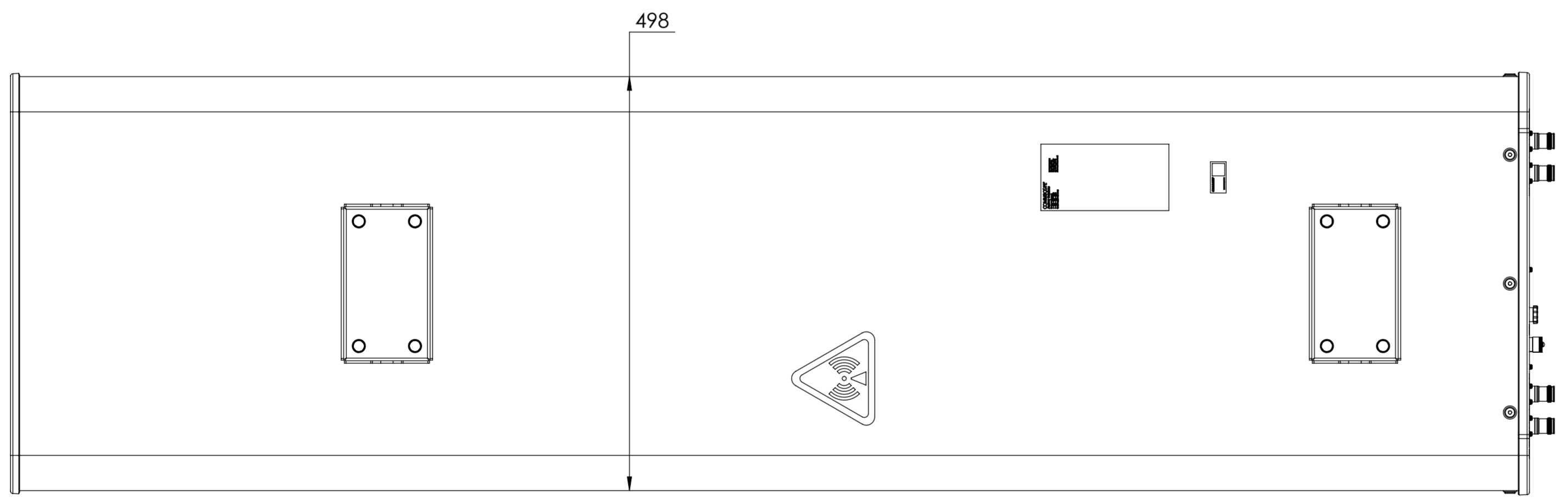
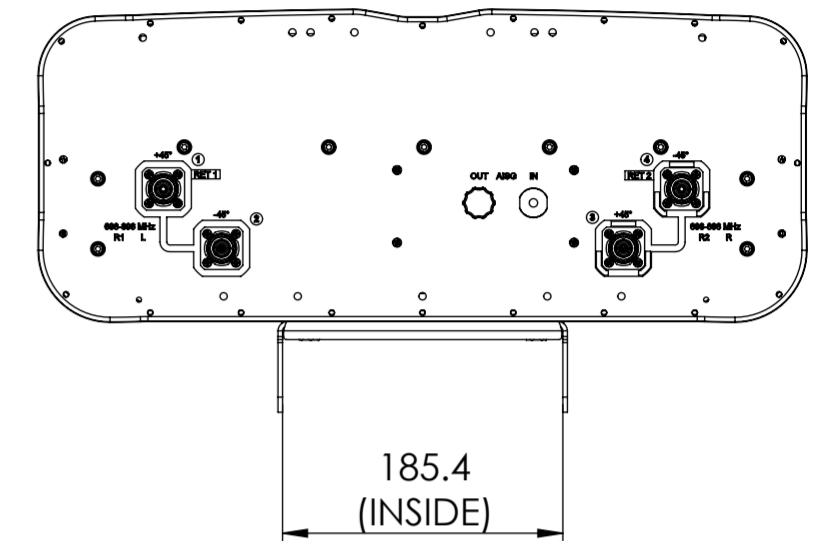
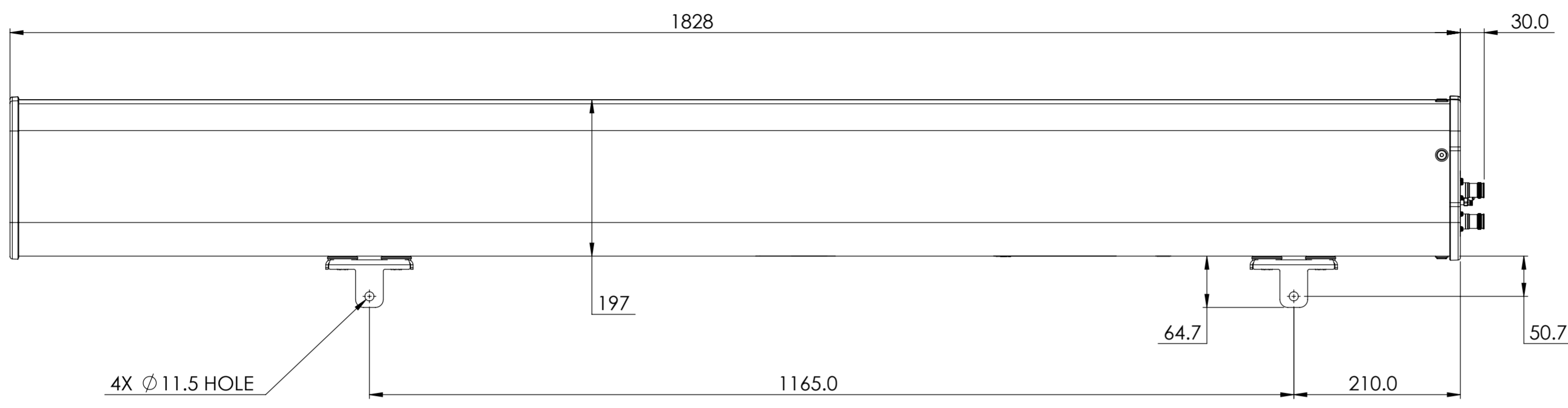


REVISIONS			
REV.	DESCRIPTION	DATE	APPROVED
A	ECR 8000032225: REL TO PRODUCTION PER EAO 605995.	06NOV18 HWW	KEL/PJ



NN-65B-R2

COMMSCOPE, INC. OF NORTH CAROLINA

TOLERANCES		SAP MATERIAL MASTER	
0 PLACE X ±	2 PLACE .XX ±		
1 PLACE .X ±	ANGLES ±		
FINISH		MATERIAL	

UNLESS OTHERWISE SPECIFIED DIMENSIONS ARE IN MILLIMETERS INTERPRET PER ISO STANDARDS HANDBOOK TECHNICAL DRAWINGS VOLUMES 1 & 2, THIRD EDITION (2002)	NAME	DATE	PRODUCT DRAWING
	CE WH1029	11/06/2018	
	RW SL1039	11/19/2018	
	RV WW1027	11/19/2018	
	AD JP1112	11/19/2018	
RE ZHHCHEN	11/20/2018		
ECN 8000032225-O			SCALE 1:5
			DOCUMENT NO. NN-65B-R2-L

DENSITY	g/mm ³		
MASS	grams		
VOLUME	mm ³		
SURFACE AREA	mm ²		
HEIGHT		SIZE	WORK AREA 23
LENGTH		MODEL	
WIDTH		DRAWING	
		A2	1 OF 1

VERSION			STATUS			REVISION			DRAWING			SHEET		
00			RE			A			00			RE		
												1 OF 1		