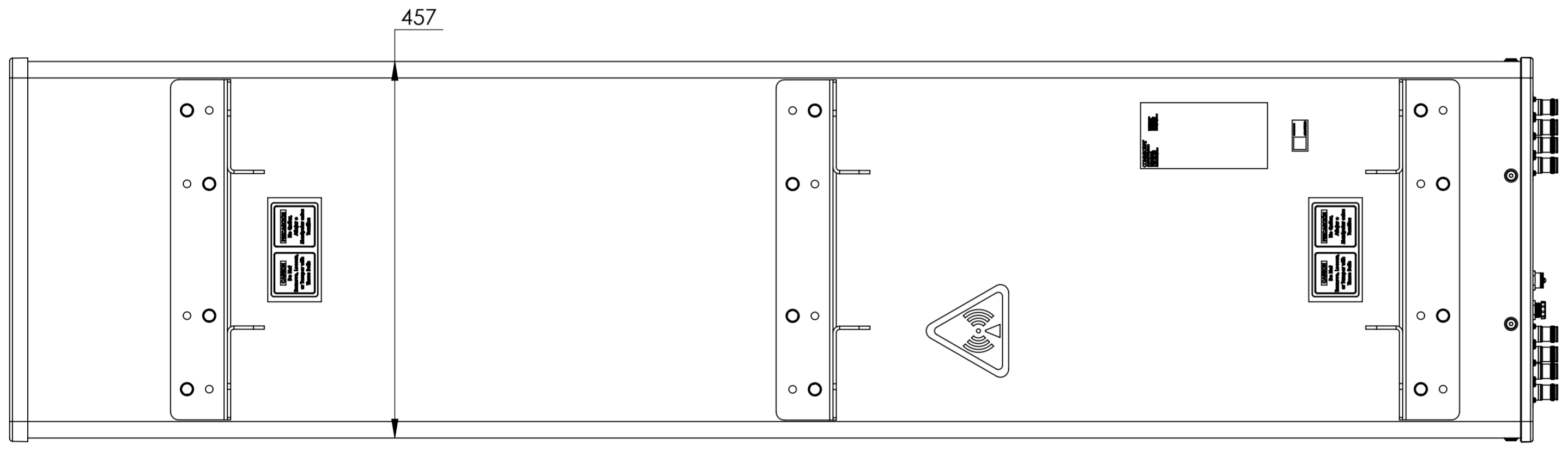
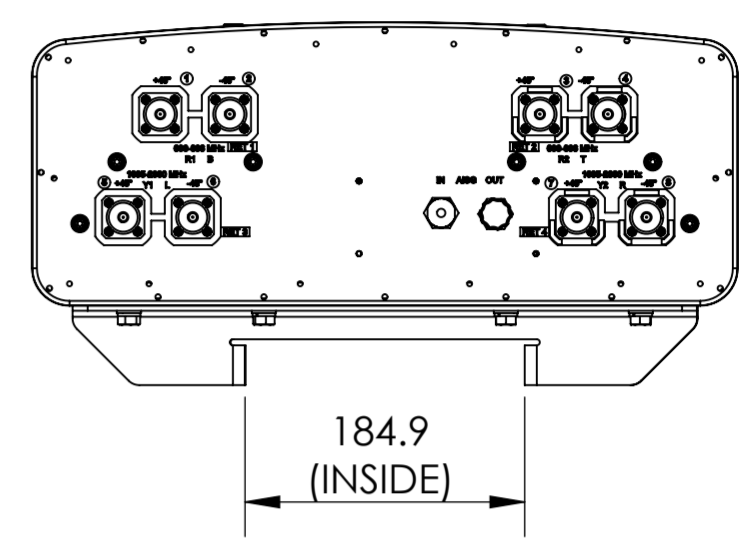
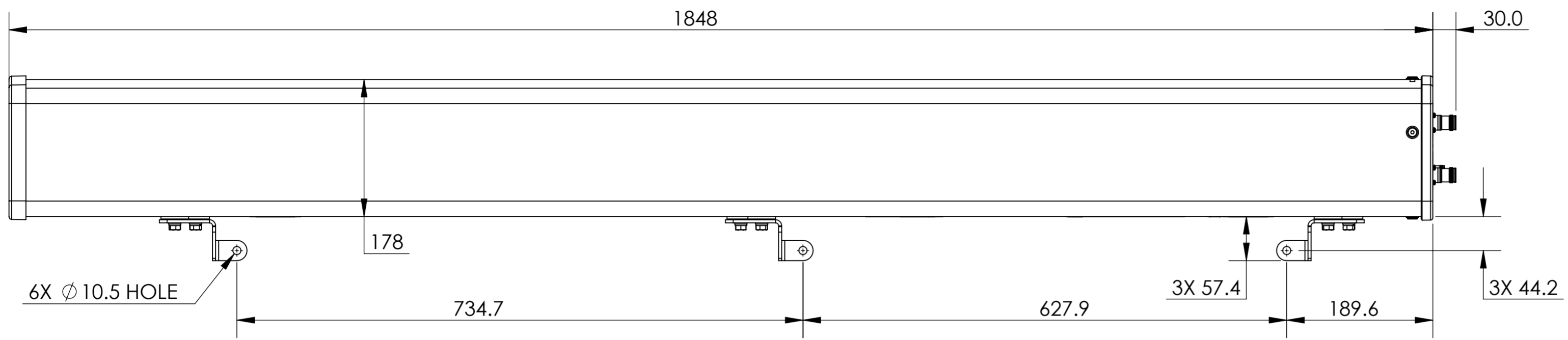


REVISIONS			
REV.	DESCRIPTION	DATE	APPROVED
A	ECR 8000034414: RELEASE TO PRODUCTION PER EAO 604981.	7/26/19 SXH	DYANG/J.LIU
B	ECR 8000034414: UPDATE MODEL.	8/6/19 SXH	DYANG/J.LIU



NNHH-45B-R4

COMMSCOPE, INC. OF NORTH CAROLINA

TOLERANCES		SAP MATERIAL MASTER																																			
0 PLACE X ±	2 PLACE .XX ±																																				
1 PLACE .X ±	ANGLES ±																																				
FINISH		MATERIAL																																			
<small>UNLESS OTHERWISE SPECIFIED DIMENSIONS ARE IN MILLIMETERS INTERPRET PER ISO STANDARDS HANDBOOK TECHNICAL DRAWINGS VOLUMES 1 & 2, THIRD EDITION (2002)</small>		NAME	DATE																																		
		CE SXH	7/26/2019																																		
		RW XS1022	08/06/2019																																		
		RV CY1017	08/06/2019																																		
		AD JL1139	08/06/2019																																		
RE XIAOWANG	08/07/2019	TITLE																																			
ECN 8000034414-O		PRODUCT DRAWING																																			
		SCALE	DOCUMENT NO.																																		
		1:5	NNHH-45B-R4-L																																		
DENSITY	g/mm ³	<table border="1" style="width: 100%;"> <tr> <td>SIZE</td> <td>WORK AREA</td> <td>23</td> <td colspan="3">MODEL</td> <td colspan="3">DRAWING</td> <td rowspan="4">SHEET 1 OF 1</td> </tr> <tr> <td>MASS</td> <td>grams</td> <td colspan="3">VERSION</td> <td colspan="3">REVISION</td> </tr> <tr> <td>VOLUME</td> <td>mm³</td> <td>01</td> <td>RE</td> <td>B</td> <td>01</td> <td>RE</td> <td>B</td> </tr> <tr> <td>SURFACE AREA</td> <td>mm²</td> <td colspan="3">A2</td> <td colspan="3"></td> </tr> </table>		SIZE	WORK AREA	23	MODEL			DRAWING			SHEET 1 OF 1	MASS	grams	VERSION			REVISION			VOLUME	mm ³	01	RE	B	01	RE	B	SURFACE AREA	mm ²	A2					
SIZE	WORK AREA			23	MODEL			DRAWING			SHEET 1 OF 1																										
MASS	grams			VERSION			REVISION																														
VOLUME	mm ³			01	RE	B	01	RE	B																												
SURFACE AREA	mm ²	A2																																			
HEIGHT																																					
LENGTH																																					
WIDTH																																					