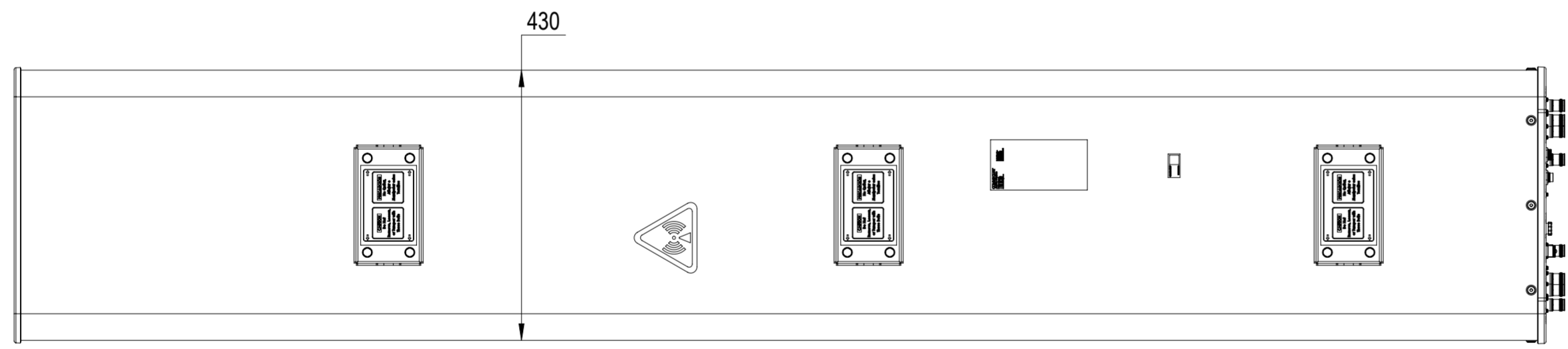
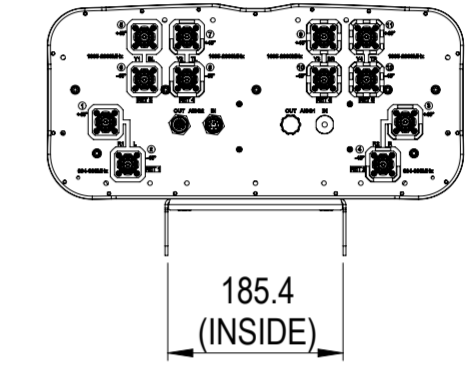
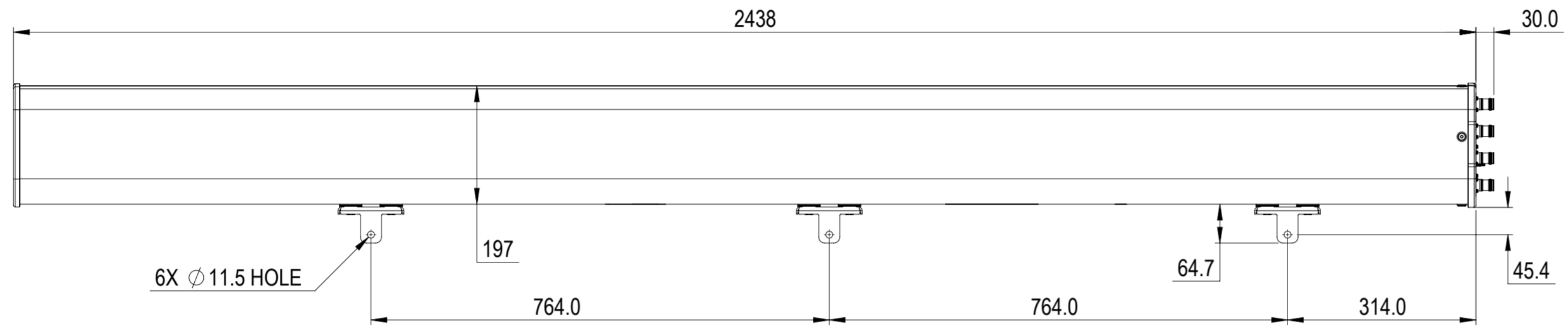


REVISIONS			
REV.	DESCRIPTION	DATE	APPROVED
A	ECR 8000033705: REL TO PRODUCTION PER EAO 606127.	02JUL19 HWN	KDI / WFW



NNH4-65C-R6N17

<b>COMMSCOPE, INC. OF NORTH CAROLINA</b>												
TOLERANCES						SAP MATERIAL MASTER						
0 PLACE X ±		2 PLACE .XX ±										
1 PLACE .X ±		ANGLES ±										
FINISH						MATERIAL						
<b>PRODUCT DRAWING</b>												
UNLESS OTHERWISE SPECIFIED DIMENSIONS ARE IN MILLIMETERS INTERPRET PER ISO STANDARDS HANDBOOK TECHNICAL DRAWINGS VOLUMES 1 & 2, THIRD EDITION (2002)			NAME		DATE		TITLE					
			CE HWN		2019-07-02							
			RW WH1034		07/22/2019							
			RV KDI		07/22/2019							
			AD FW1019		07/22/2019							
			RE HZ1014		07/23/2019							
			ECN 8000033705-O				SCALE		DOCUMENT NO.			
							1:8		NNH4-65C-R6N17-L			
DENSITY			g/mm³									
MASS			grams									
VOLUME			mm³									
SURFACE AREA			mm²									
HEIGHT					SIZE		WORK AREA		23		MODEL	
LENGTH					A2		VERSION		STATUS		REVISION	
WIDTH							00		RE		A	
							DRAWING		VERSION		STATUS	
							00		RE		A	
							SHEET		1 OF 1			