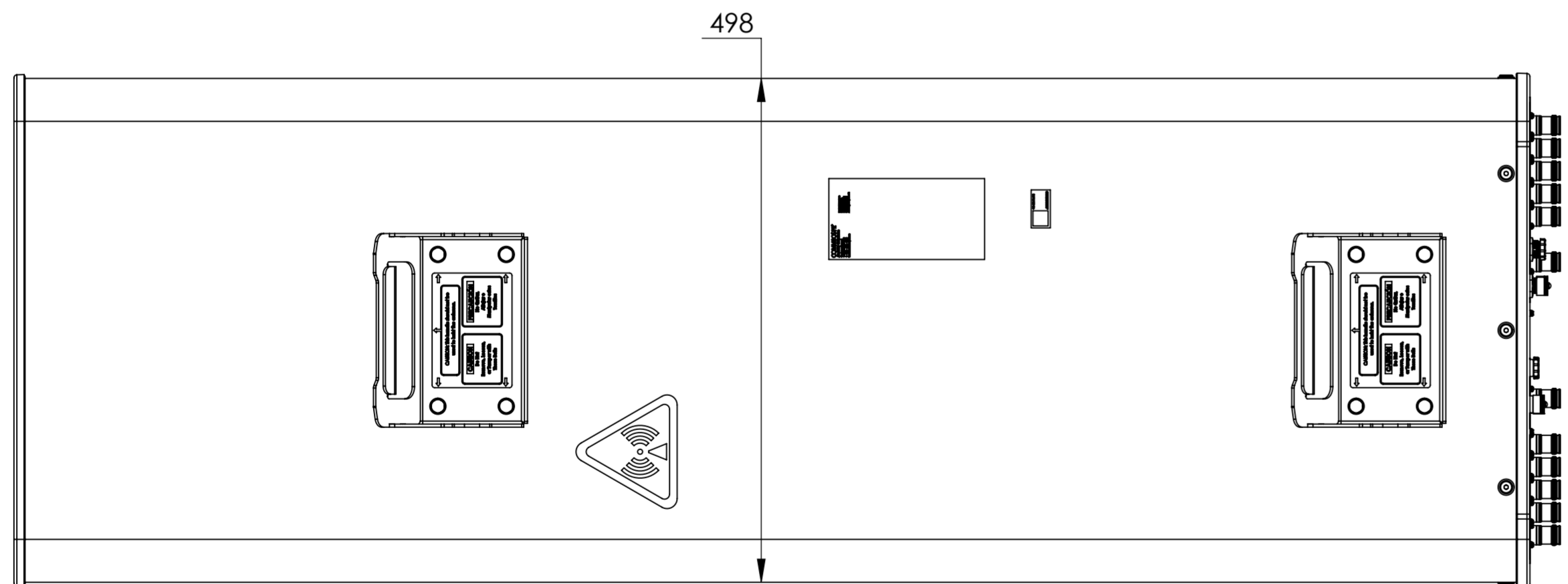
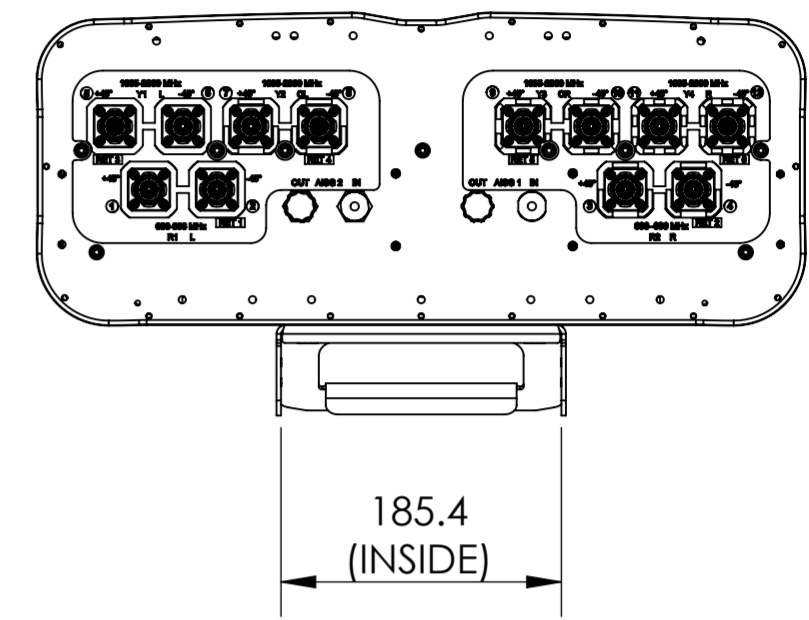
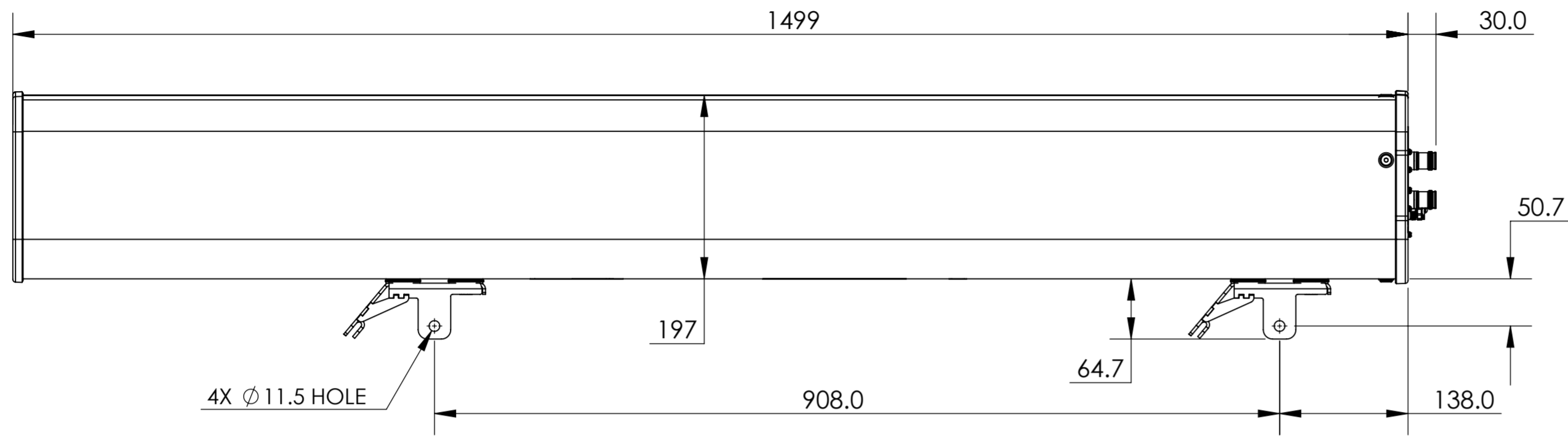


NOTES:

REVISIONS			
REV.	DESCRIPTION	DATE	APPROVED
A	ECR 8000032635: REL TO PRODUCTION PER EAO 605983.	20DEC18 LXL	XA.F/ X.MEI
B	ECR 8000036540: UPDATE DRAWING WITH LATEST MODEL.	26JUL19 XHX	ZHWJ/REX



NNH4-65A-R6H4

COMMSCOPE, INC. OF NORTH CAROLINA											
TOLERANCES						SAP MATERIAL MASTER					
0 PLACE X ±			2 PLACE .XX ±								
1 PLACE .X ±			ANGLES ±								
FINISH						MATERIAL					
PRODUCT DRAWING											
SCALE: 1:5 DOCUMENT NO. NNH4-65A-R6H4-L											
ECN 8000036540-0											
SIZE: A2											
WORK AREA: 23											
MODEL: RE C											
DRAWING: 01 RE B											
SHEET: 1 OF 1											

DENSITY	g/mm ³
MASS	grams
VOLUME	mm ³
SURFACE AREA	mm ²

© 2018 CommScope, Inc.