

8

7

6

5

4

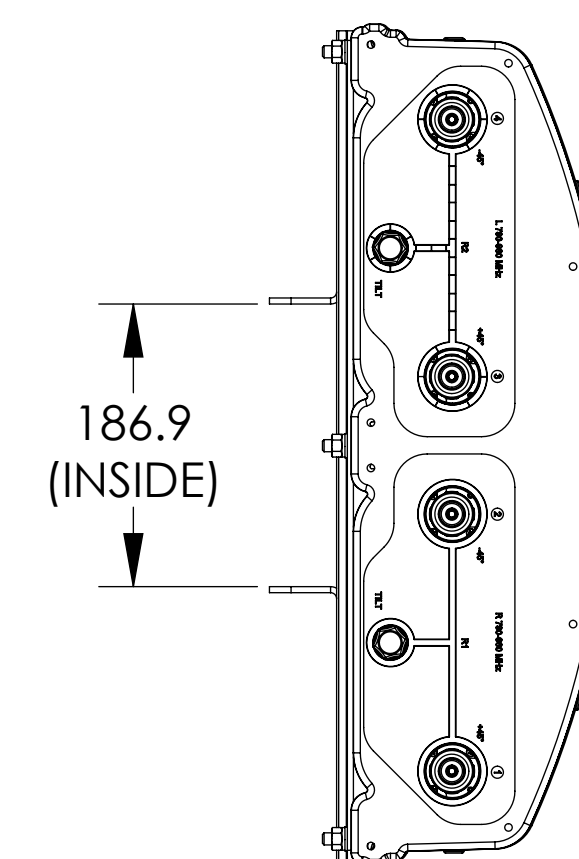
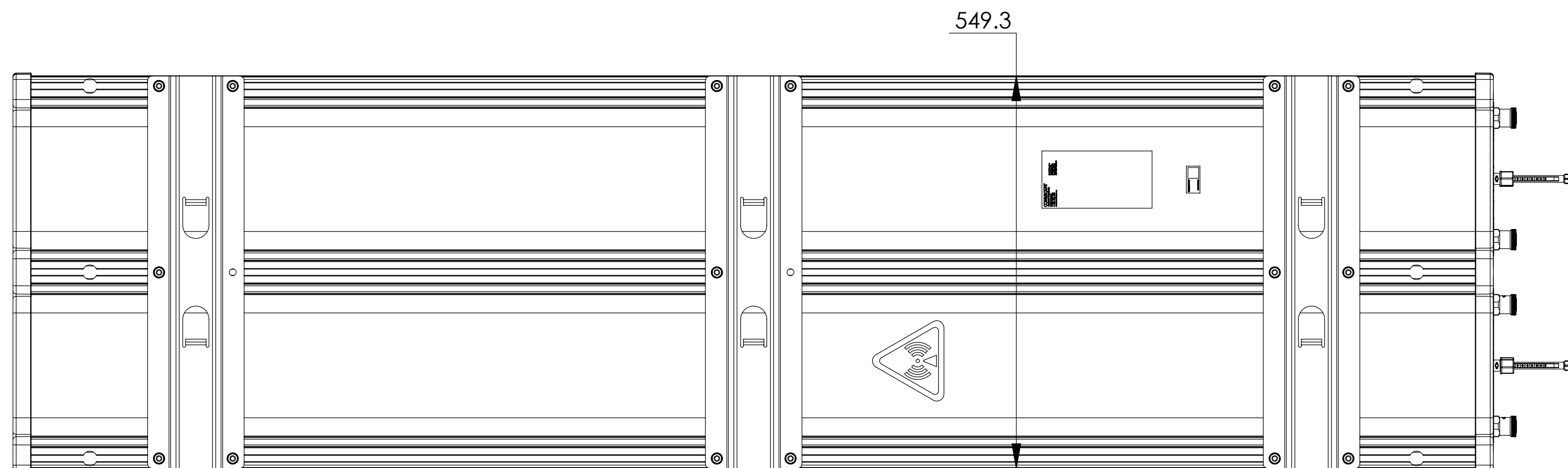
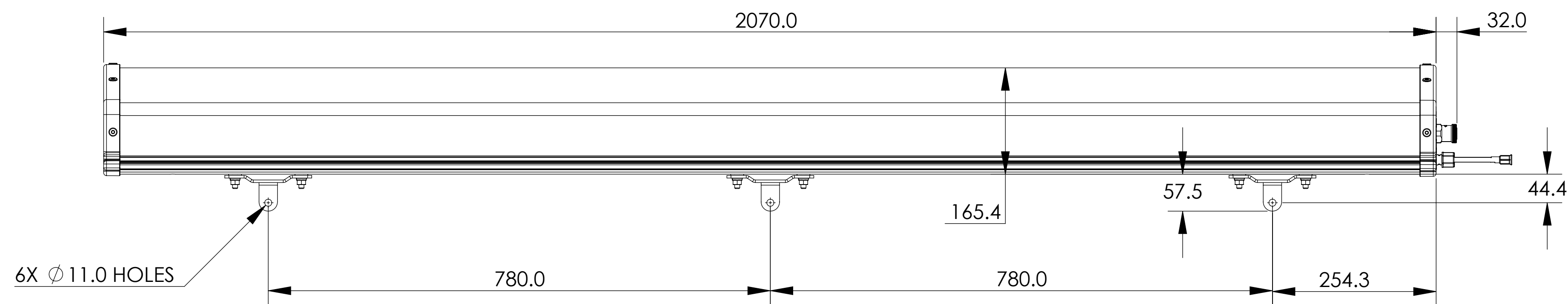
3

2

1

NOTES:

REVISIONS			
REV	DESCRIPTION	DATE	APPROVED
A	ECR 5097613: REL TO PRODUCTION.	15 AUG10 KWA	X.MEI/JUFYU
G	ECR 7006744: REMOVE CCXX-6515DS-VTM & A2M FROM DRAWING.	29JAN13 XHX	S.LIU/GUXU
H	ECR 8000000584: ADD LDXX-6515DST-VTM.	20MAY13 NK	S.LIU/JIHE
J	ECR 8000005285: ADD DXF FILE.	09OCT14 ZW	S.LIU/JIHE
K	ECR 8000011783: CHG BOM ITEMS 5 & 6.	06JAN16 SXH	S.LIU/JIHE



LDXX-6515DS-VTM
LDXX-6515DST-VTM

THIRD ANGLE PROJECTION

C

B

A

CONFIDENTIAL

MATERIAL N/A	DENSITY: MASS:	UNLESS OTHERWISE SPECIFIED DIMENSIONS ARE IN MILLIMETERS INTERPRET PER ISO STANDARDS HANDBOOK, TECHNICAL DRAWINGS, VOLUMES 1 & 2, THIRD EDITION (2002)	WESTCHESTER, IL. 60154 U.S.A.	
FINISH N/A	TOLERANCES 0 PLACE X± 1 PLACE .X± 2 PLACE .XX± ANGLES ± ALL SURFACES ✓	THIRD ANGLE PROJECTION 	PRODUCT DRAWING	
DRAWN BY KWA 15AUG10		SIZE A1	CAGE CODE 84147	DOCUMENT NO. LDXX-6515DS-VTM-L
ECN 8000011783-O		MODEL	VERSION 08	STATUS RE
AUTH. GROUP 23		REVISION M	VERSION 09	STATUS RE
NOTICE: These drawings and specifications are the proprietary property of ANDREW CORPORATION and may be used only for the specific purpose authorized in writing by Andrew.		REVISION K	VERSION	STATUS
				SHEET 1 OF 3

8

7

6

THIRD ANGLE PROJECTION

3

2

1

8

7

6

5

4

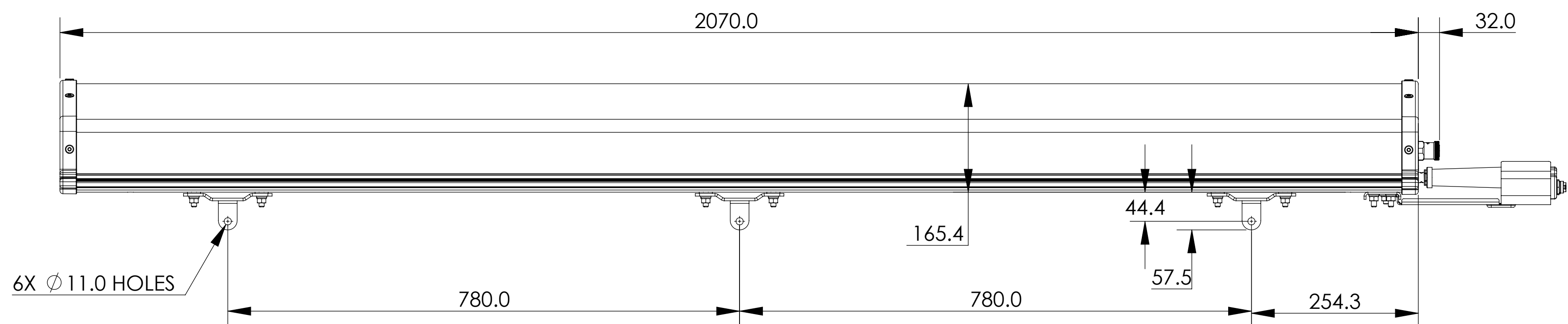
3

2

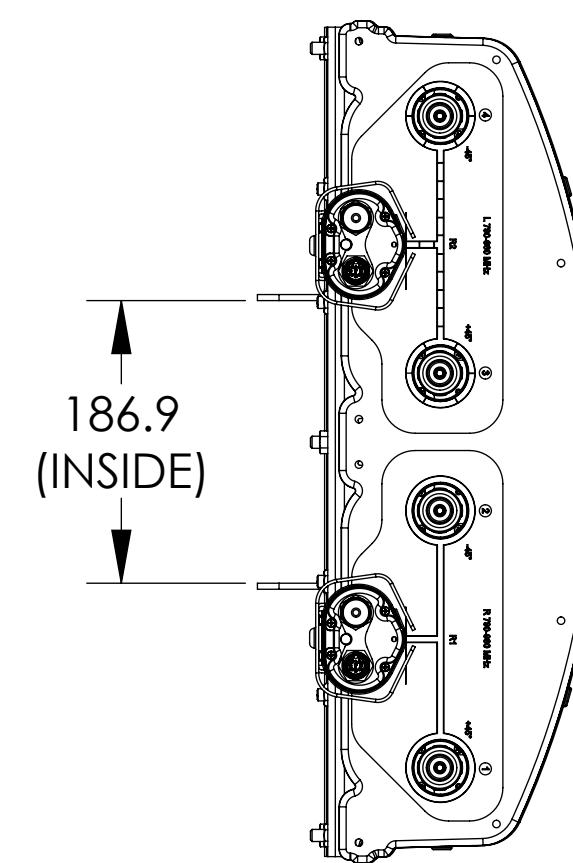
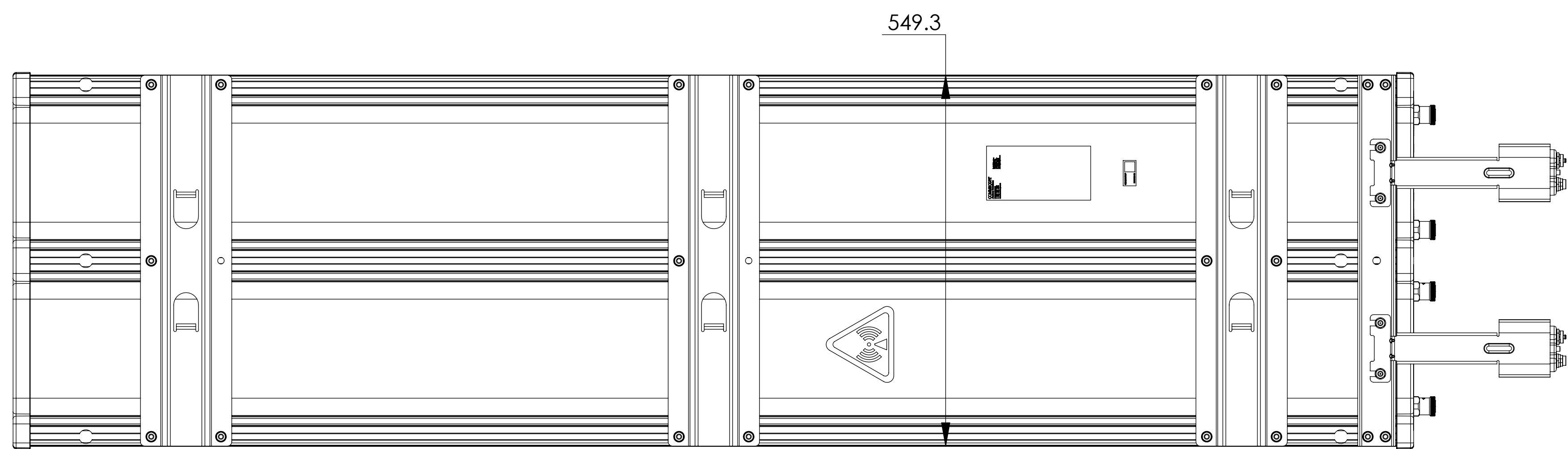
1

D

D



C



B

LDXX-6515DS-A2M
LDXX-6515DS-R2M

A

CONFIDENTIAL

ANDREW
WESTCHESTER, IL. 60154
U.S.A.

PRODUCT DRAWING

THIRD ANGLE PROJECTION



SIZE
A1 84147

CAGE CODE
84147

DOCUMENT NO.
LDXX-6515DS-VTM-L

NOTICE: These drawings and specifications are the proprietary property of ANDREW CORPORATION and may be used only for the specific purpose authorized in writing by Andrew.

VERSION	STATUS	REVISION	SHEET
09	RE	K	2 OF 3

8

7

6

THIRD ANGLE PROJECTION

3

2

1

8

7

6

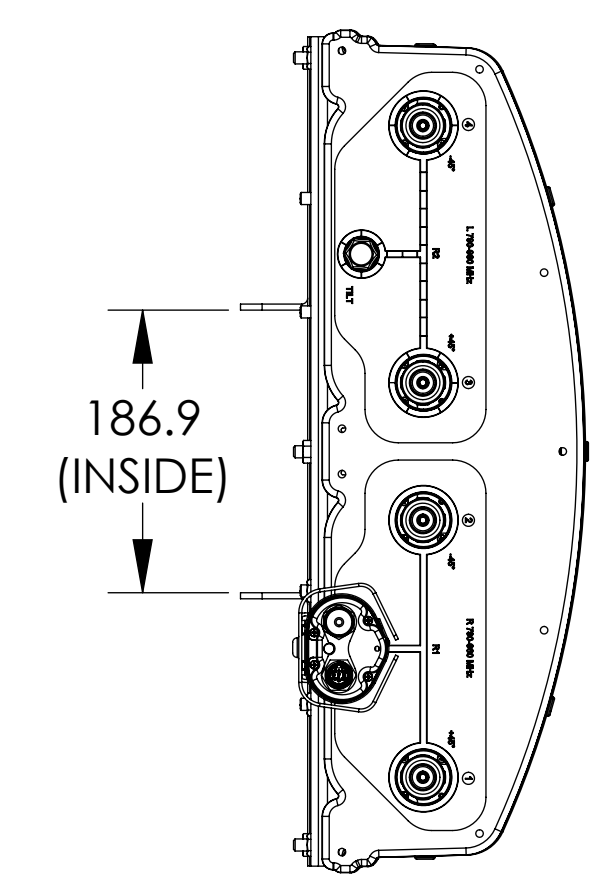
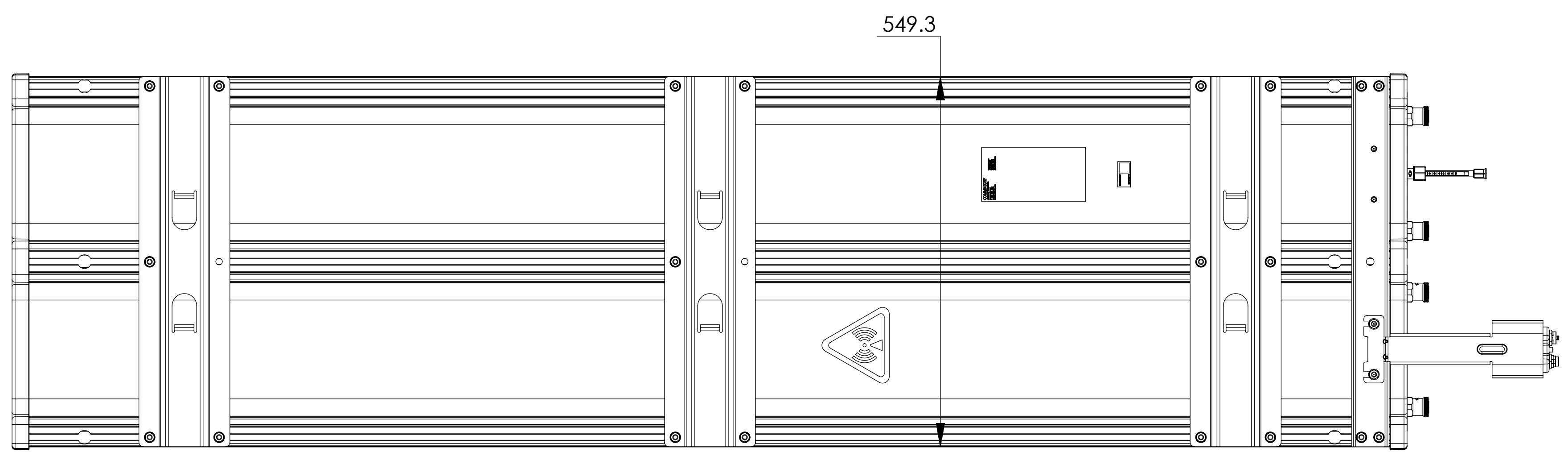
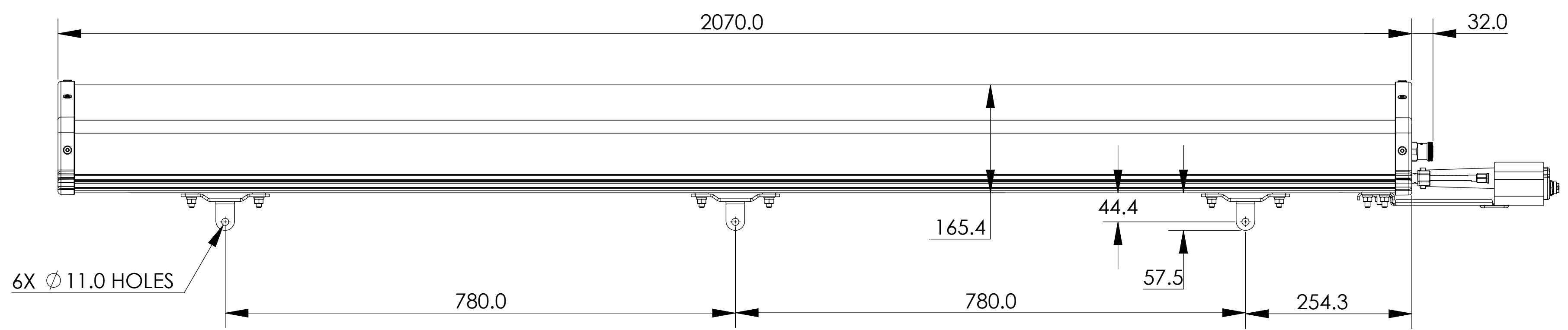
5

4

3

2

1



LDXX-6515DS-E1M
LDXX-6515DS-A1M

THIRD ANGLE PROJECTION

THIRD ANGLE PROJECTION

CONFIDENTIAL

ANDREW WESTCHESTER, IL. 60154
U.S.A.

PRODUCT DRAWING

THIRD ANGLE PROJECTION	SIZE A1	CAGE CODE 84147	DOCUMENT NO. LDXX-6515DS-VTM-L
	VERSION 09	STATUS RE	REVISION K
			SHEET 3 OF 3

NOTICE: These drawings and specifications are the proprietary property of ANDREW CORPORATION and may be used only for the specific purpose authorized in writing by Andrew.

8

7

6

3

2

1