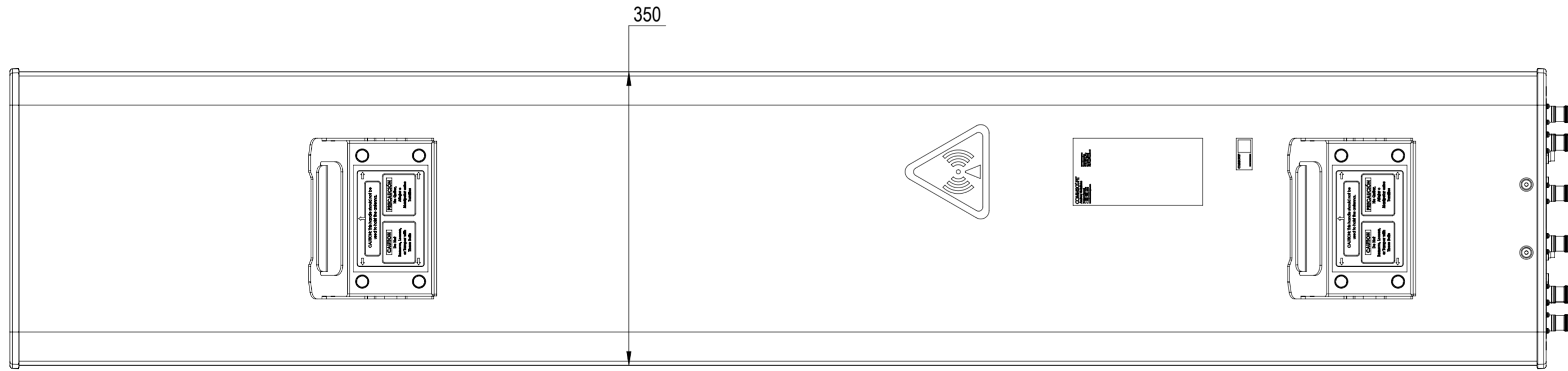
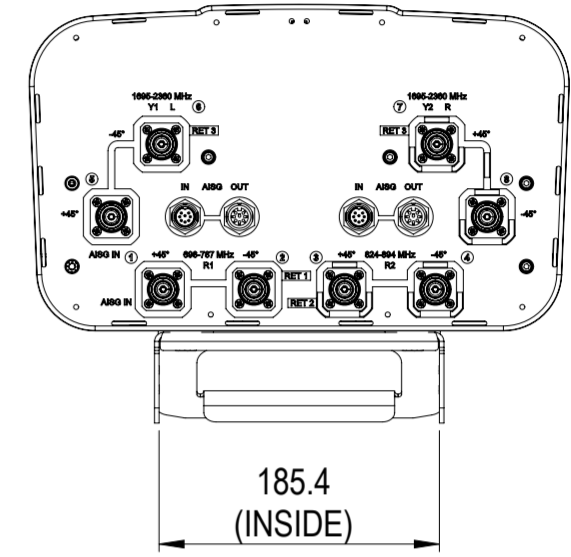
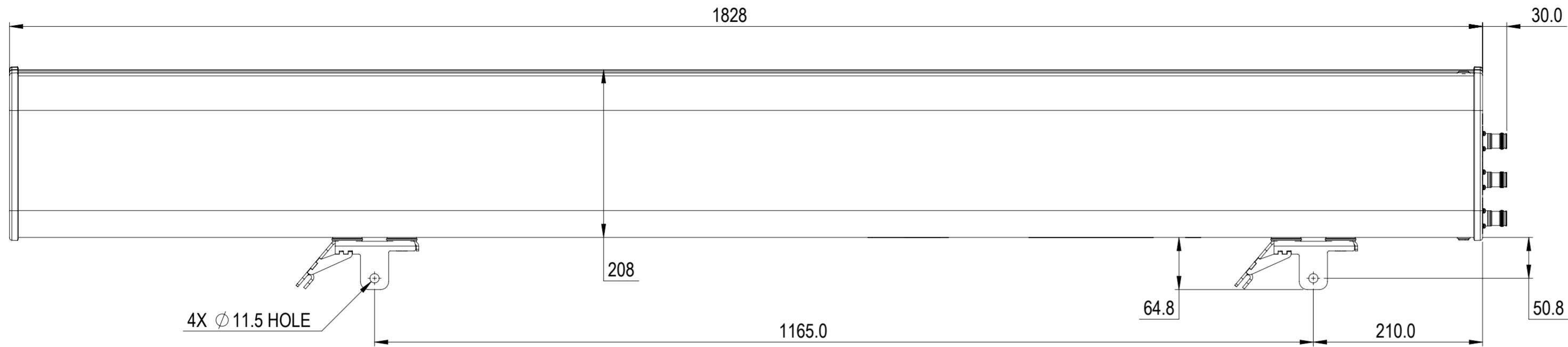


NOTES:

REVISIONS			
REV.	DESCRIPTION	DATE	APPROVED
A	ECR 8000011777: RELEASE TO PRODUCTION PER EAO 602521.	28SEP16 YYC	AB/AR
B	ECR 8000036540: UPDATE DRAWING WITH LATEST MODEL.	29JUL19 RY	ZHWJ/REX



JAHH-65B-R3B

COMMSCOPE, INC. OF NORTH CAROLINA

TOLERANCES		SAP MATERIAL MASTER
0 PLACE X ±	2 PLACE .XX ±	
1 PLACE .X ±	ANGLES ±	

FINISH	MATERIAL
--------	----------

REV.	NAME	DATE	TITLE
CE	YY1004	09/28/2016	PRODUCT DRAWING
RW	RY1017	07/29/2019	
RV	CHALIU	08/02/2019	
AD	JP1112	08/04/2019	
RE	ZHHCHEN	08/05/2019	

UNLESS OTHERWISE SPECIFIED DIMENSIONS ARE IN MILLIMETERS INTERPRET PER ISO STANDARDS HANDBOOK TECHNICAL DRAWINGS VOLUMES 1 & 2, THIRD EDITION (2002)

SCALE	DOCUMENT NO.
1:5	JAHH-65B-R3B-L

DENSITY	g/mm ³
MASS	grams
VOLUME	mm ³
SURFACE AREA	mm ²
HEIGHT	
LENGTH	
WIDTH	

SIZE	WORK AREA	23	MODEL	DRAWING			SHEET		
A2			VERSION	STATUS	REVISION	VERSION	STATUS	REVISION	1 OF 1
			05	RE	E	02	RE	B	

© 2016 CommScope, Inc.