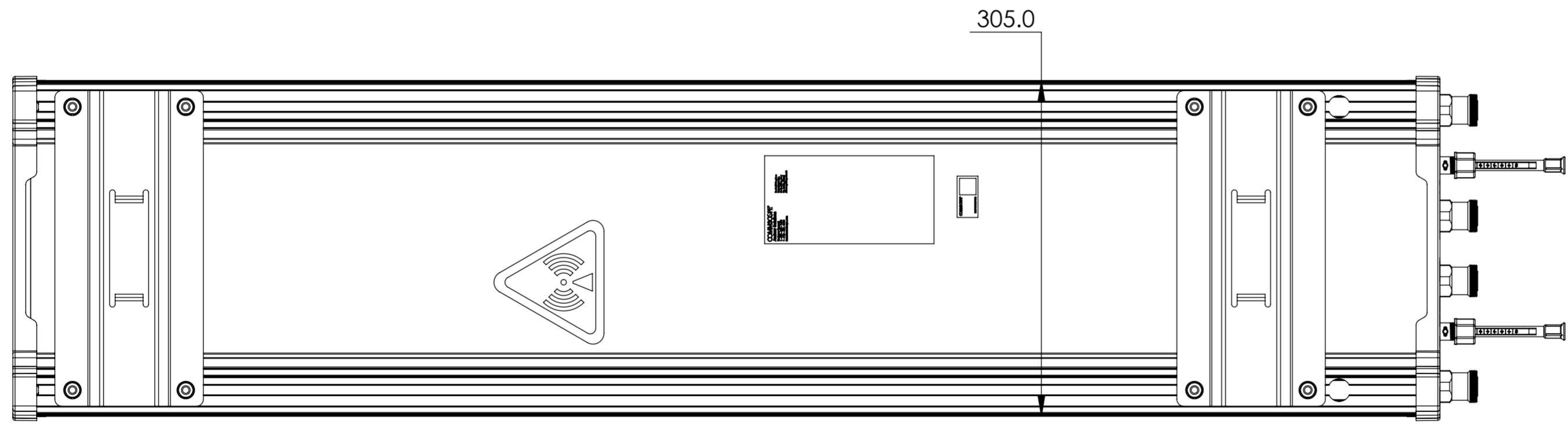
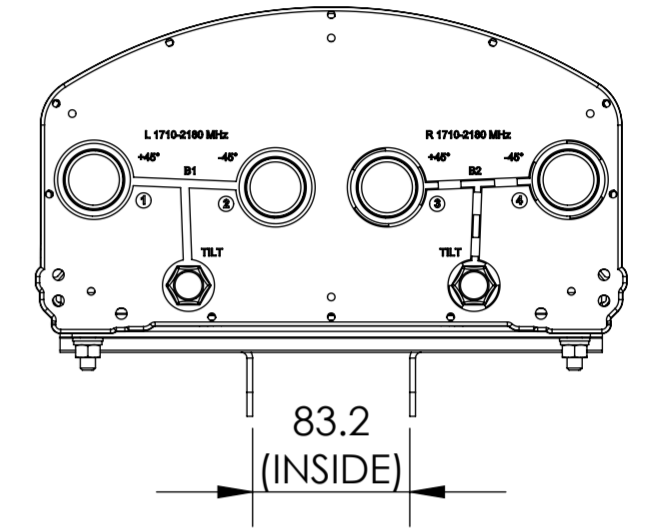
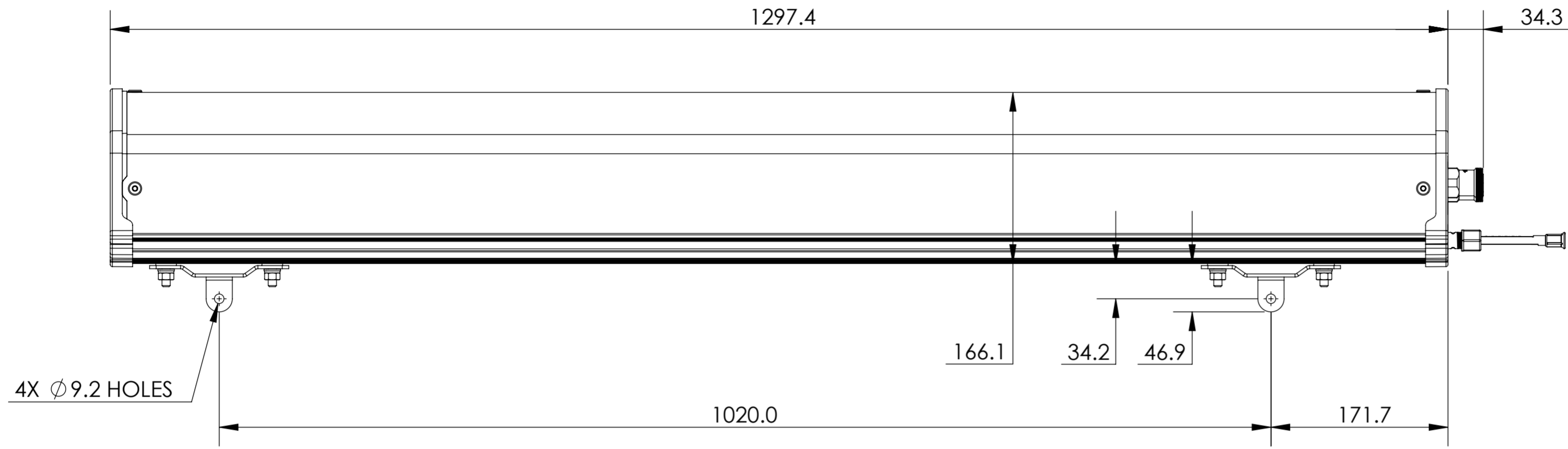


NOTES:

REVISIONS			
REV	DESCRIPTION	DATE	APPROVED
A	ECR 5063890: REL TO PRODUCTION. EE: GUXU ME: L.YU	13JAN09 LYJ	L.YU/GUXU
D	ECR 7006744: UPDATE DRAWING.	30JAN13 AD	S.LIU/GUXU
E	ECR 8000005559: ADD DXF FILE.	27OCT14 QF	S.LIU/JIHE
F	ECR 8000006209: UPDATE DRAWING WITH LATEST MODEL.	25DEC14 XHX	S.LIU/JIHE
G	ECR 8000013337: UPDATE DRAWING WITH LATEST MODEL.	03MAY16 CMY	S.LIU/JIHE



HBXX-9014DS-VTM

MATERIAL N/A	DENSITY:	UNLESS OTHERWISE SPECIFIED DIMENSIONS ARE IN MILLIMETERS INTERPRET PER ISO STANDARDS HANDBOOK TECHNICAL DRAWINGS VOLUMES 1 & 2, THIRD EDITION (2002)	WESTCHESTER, IL. 60154 U.S.A.	
	MASS:			
FINISH N/A	TOLERANCES		THIRD ANGLE PROJECTION	
	0 PLACE X ± 1 PLACE .X ± 2 PLACE .XX ± ANGLES ± ALL SURFACES ✓			
DRAWN BY LYJ 25FEB09		SIZE	CAGE CODE	DOCUMENT NO.
ECN 8000013337-O		<b>A2</b>	<b>84147</b>	HBXX-9014DS-VTM-L
AUTH. GROUP 23		MODEL		DRAWING
NOTICE: These drawings and specifications are the proprietary property of ANDREW CORPORATION and may be used only for the specific purpose authorized in writing by Andrew.		VERSION	STATUS	REVISION
		05	RE	F
		06	RE	G
		SHEET		1 OF 3

D  
C  
B  
A

D  
C  
B  
A

4

3

THIRD ANGLE PROJECTION

2

1

4

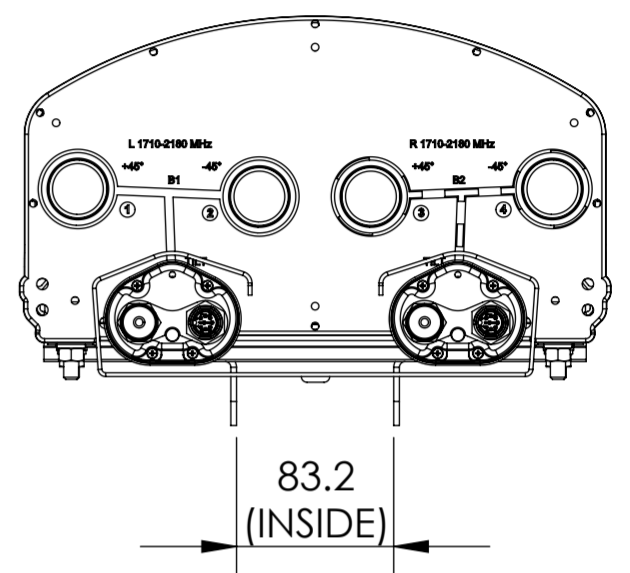
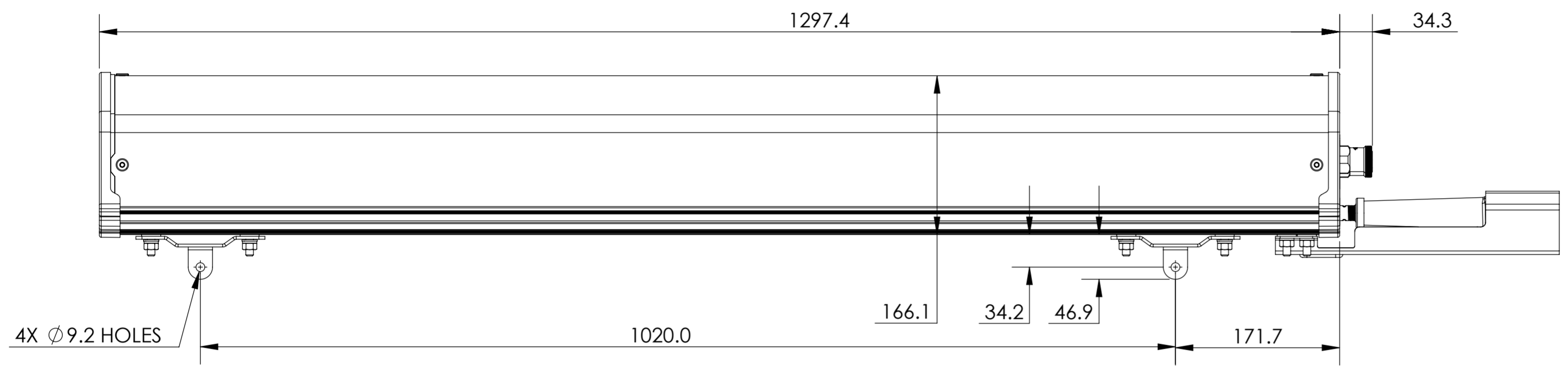
3

2

1

D

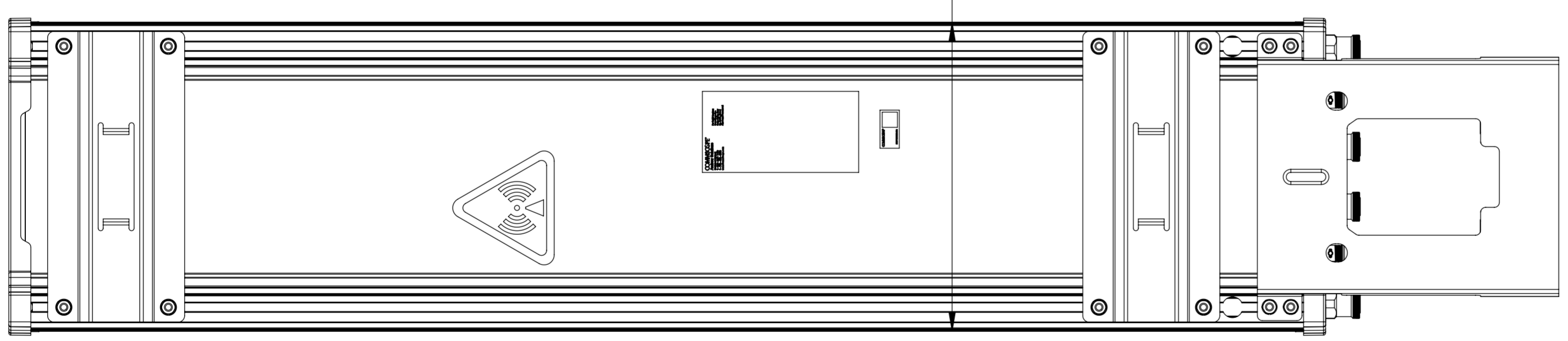
D



C

C

305.0



HBXX-9014DS-R2M  
HBXX-9014DS-A2M

B

B

A

A

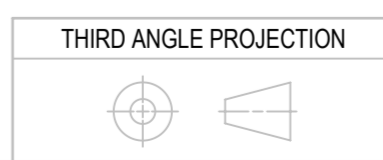
4

3

2

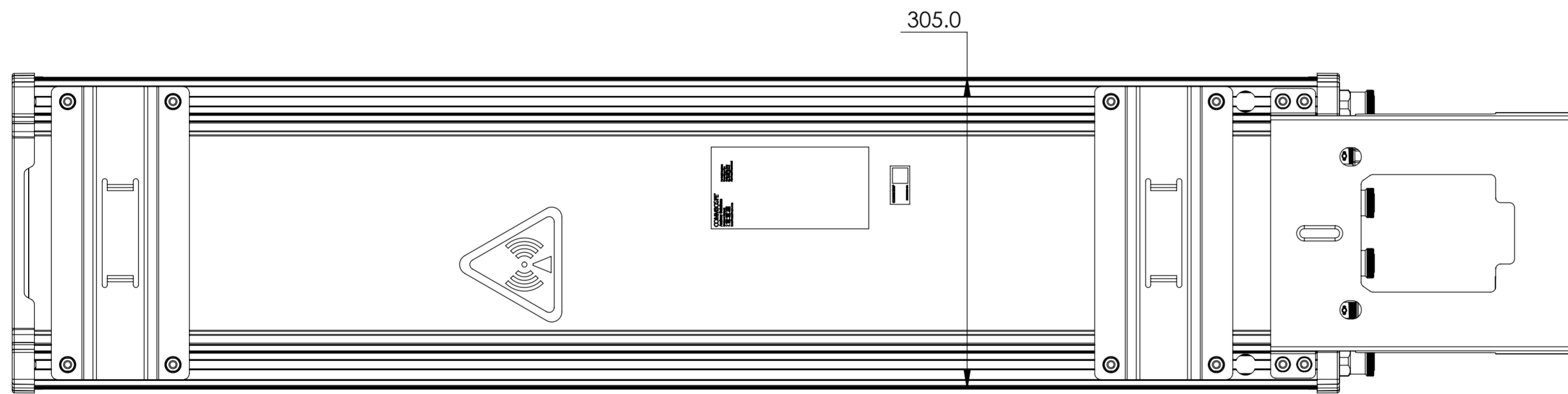
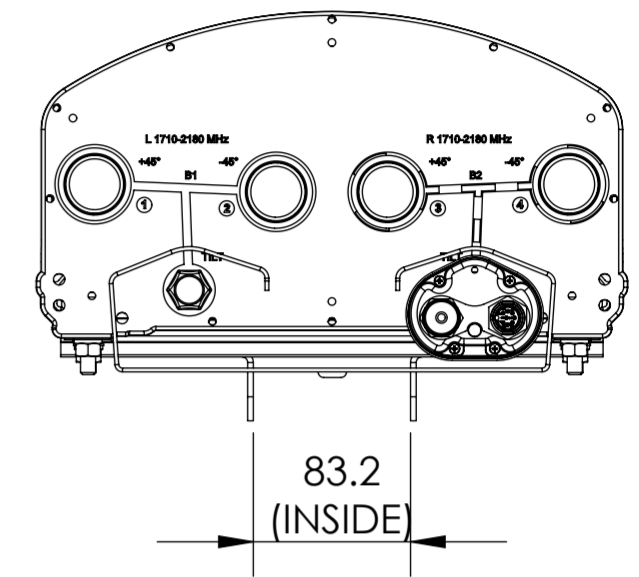
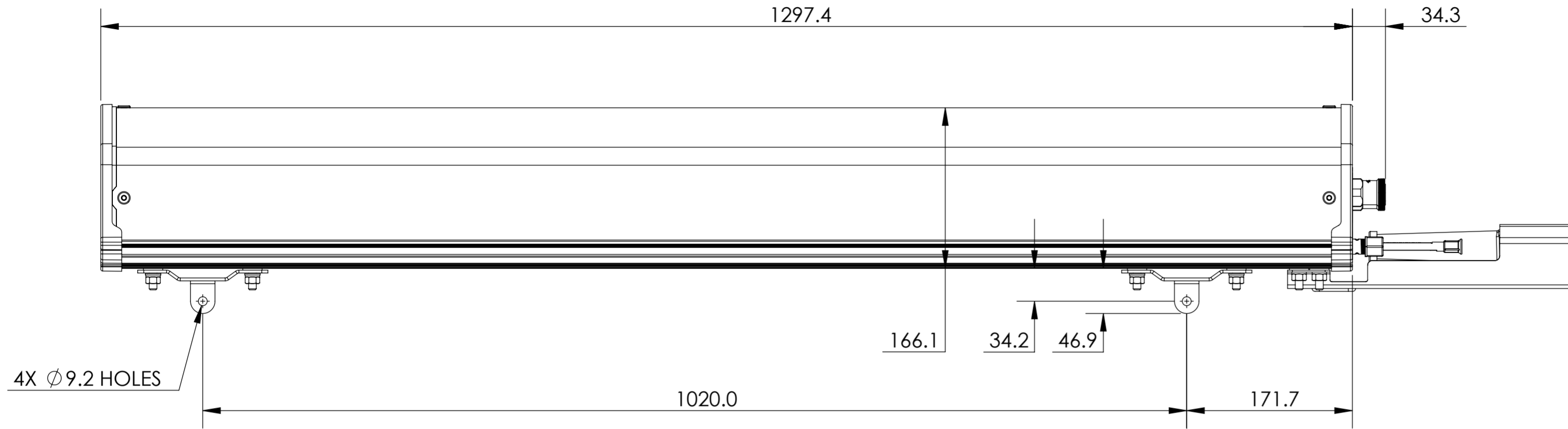
1

THIRD ANGLE PROJECTION



		WESTCHESTER, IL. 60154 U.S.A.	
PRODUCT DRAWING			
SIZE	CAGE CODE	DOCUMENT NO.	
<b>A2</b>	<b>84147</b>	HBXX-9014DS-VTM-L	
VERSION	STATUS	REVISION	SHEET
06	RE	<b>G</b>	2 OF 3

NOTICE: These drawings and specifications are the proprietary property of ANDREW CORPORATION and may be used only for the specific purpose authorized in writing by Andrew.



HBXX-9014DS-R1M  
 HBXX-9014DS-E1M  
 HBXX-9014DS-A1M

**ANDREW** WESTCHESTER, IL. 60154  
 U.S.A.

PRODUCT DRAWING

THIRD ANGLE PROJECTION



SIZE	CAGE CODE	DOCUMENT NO.
<b>A2</b>	<b>84147</b>	HBXX-9014DS-VTM-L

NOTICE: These drawings and specifications are the proprietary property of ANDREW CORPORATION and may be used only for the specific purpose authorized in writing by Andrew.

VERSION	STATUS	REVISION	SHEET
06	RE	<b>G</b>	3 OF 3

4 3 THIRD ANGLE PROJECTION 2 1