

4

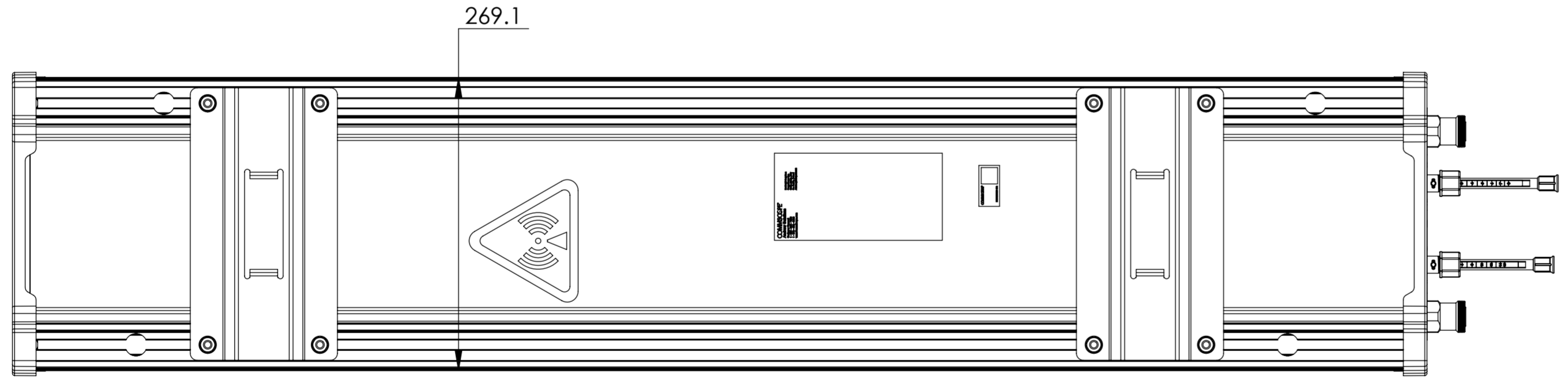
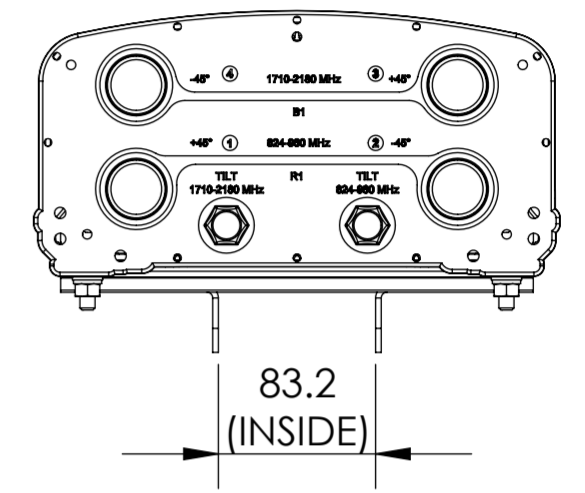
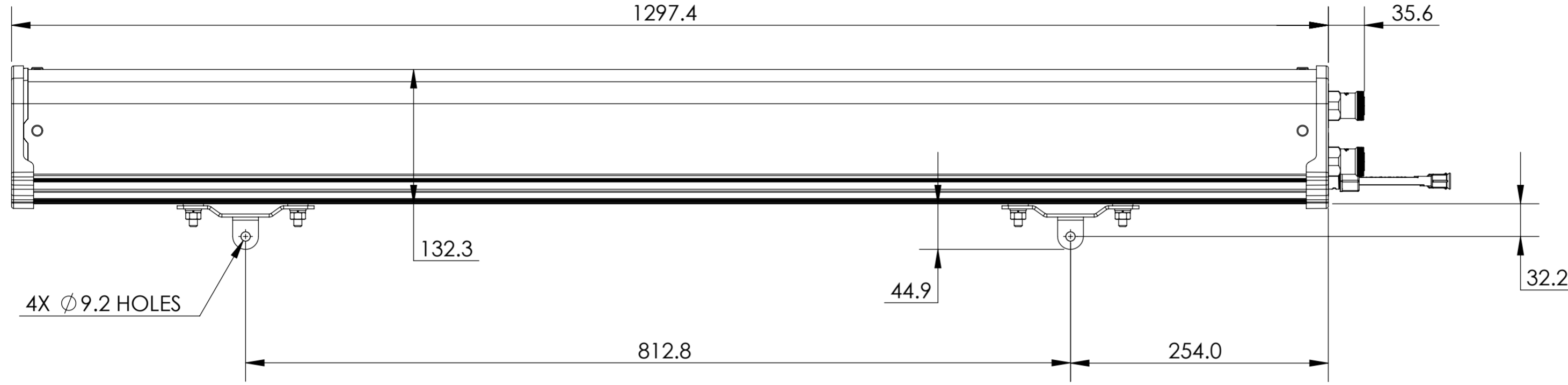
3

2

1

NOTES:

REVISIONS			
REV	DESCRIPTION	DATE	APPROVED
A	ECR 5075032: REL TO PRODUCTION. EE: PB ME: AP	6SEP07 Y.Y	PB
M	ECR 800000402: ADD NEW LINK FOR DBXLH-6565A-VTM.	22MAR13 YMH	S.LIU/GUXU
N	ECR 8000004982: UPDATE DRAWING.	02SEP14 SJT	S.LIU/JIHE
P	ECR 8000006070: UPDATE DRAWING WITH LATEST MODEL.	11DEC14 XHX	S.LIU/JIHE
R	ECR 8000012291: UPDATE DRAWING WITH LATEST MODEL.	17FEB16 HWW	S.LIU/JIHE



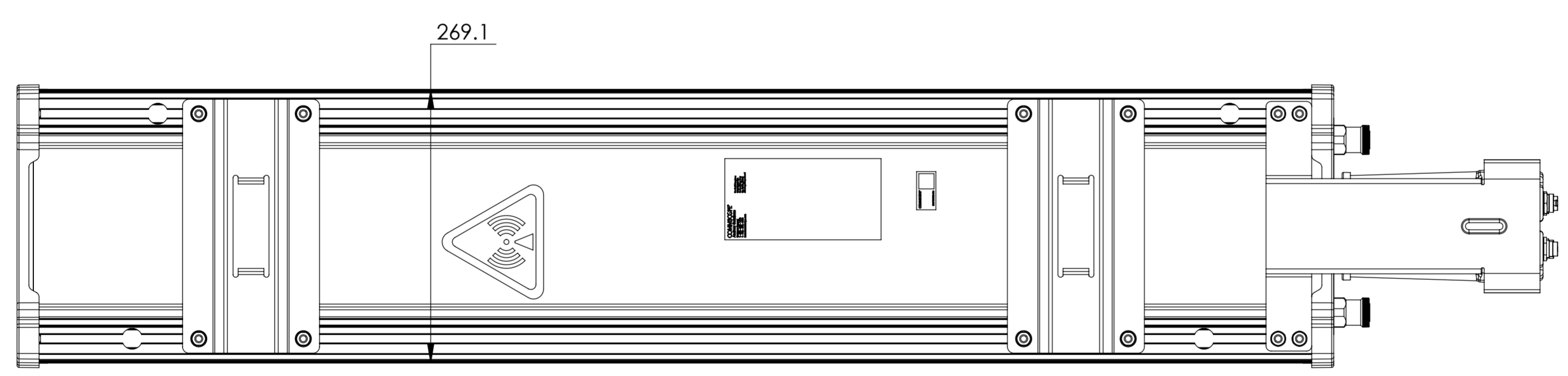
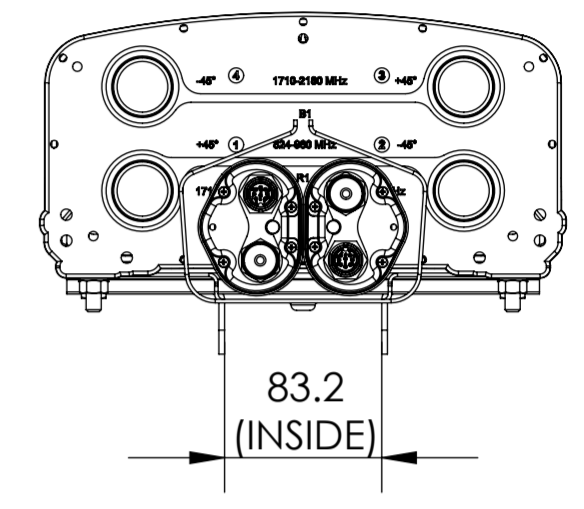
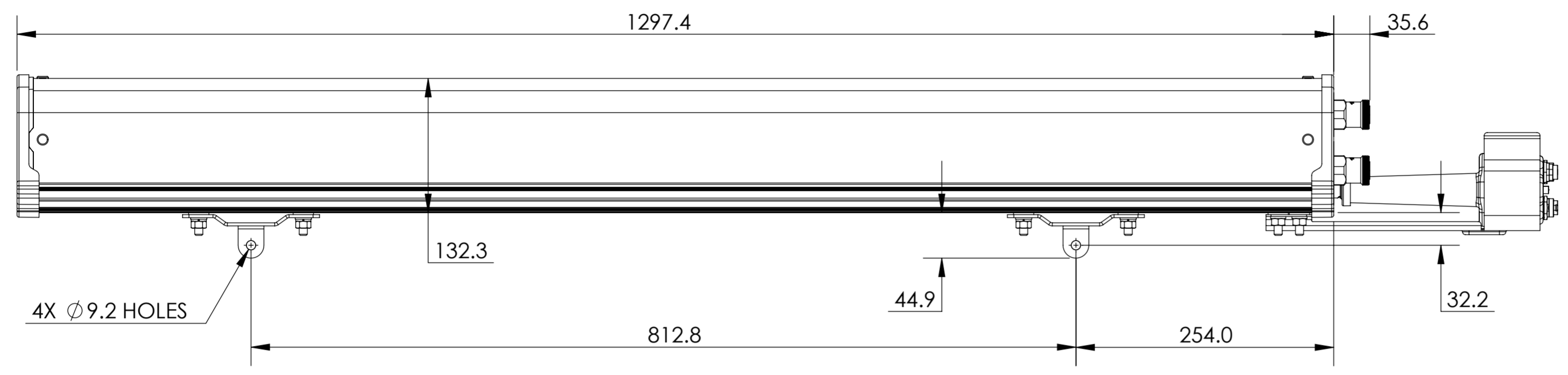
DBXTH-6565A-VTM
 DBXLH-6565A-VTM
 DBXLH-6565AT-VTM

MATERIAL N/A	DENSITY: MASS:	UNLESS OTHERWISE SPECIFIED DIMENSIONS ARE IN MILLIMETERS INTERPRET PER ISO STANDARDS HANDBOOK TECHNICAL DRAWINGS VOLUMES 1 & 2, THIRD EDITION (2002)	WESTCHESTER, IL. 60154 U.S.A.					
FINISH N/A	TOLERANCES 0 PLACE X ± 1 PLACE .X ± 2 PLACE .XX ± ANGLES ± ALL SURFACES ✓	THIRD ANGLE PROJECTION	PRODUCT DRAWING					
			DRAWN BY Y.Y 6SEP07 ECN 8000012291-O	SIZE A2 CAGE CODE 84147 DOCUMENT NO. DBXTH-6565A-VTM-L				
NOTICE: These drawings and specifications are the proprietary property of ANDREW CORPORATION and may be used only for the specific purpose authorized in writing by Andrew.		AUTH. GROUP 23	MODEL	DRAWING	SHEET			
		VERSION 06	STATUS RE	REVISION G	VERSION 14	STATUS RE	REVISION R	SHEET 1 OF 4

THIRD ANGLE PROJECTION

THIRD ANGLE PROJECTION

D
C
B
A



DBXTH-6565A-R2M
 DBXLH-6565A-R2M
 DBXLH-6565A-A2M
 DBXLH-6565A-E2M

ANDREW WESTCHESTER, IL. 60154
 U.S.A.

PRODUCT DRAWING

THIRD ANGLE PROJECTION		SIZE	CAGE CODE	DOCUMENT NO.	VERSION	STATUS	REVISION	SHEET
		A2	84147	DBXTH-6565A-VTM-L	14	RE	R	2 OF 4

NOTICE: These drawings and specifications are the proprietary property of ANDREW CORPORATION and may be used only for the specific purpose authorized in writing by Andrew.

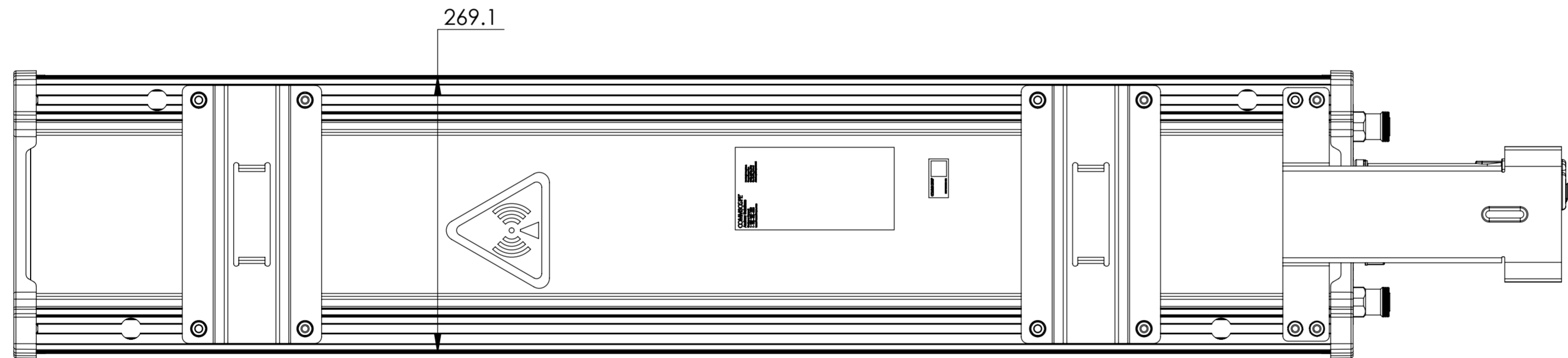
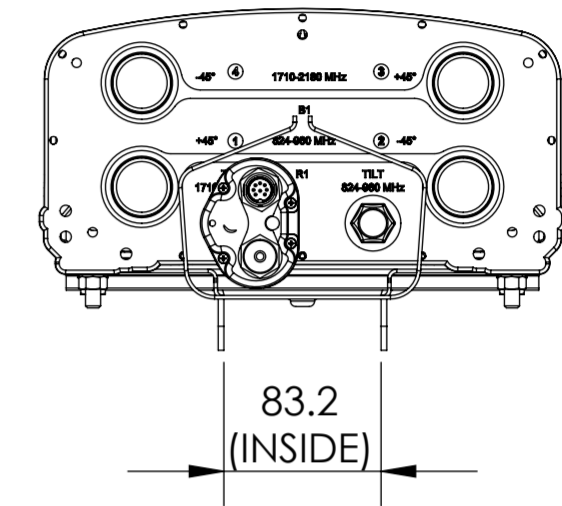
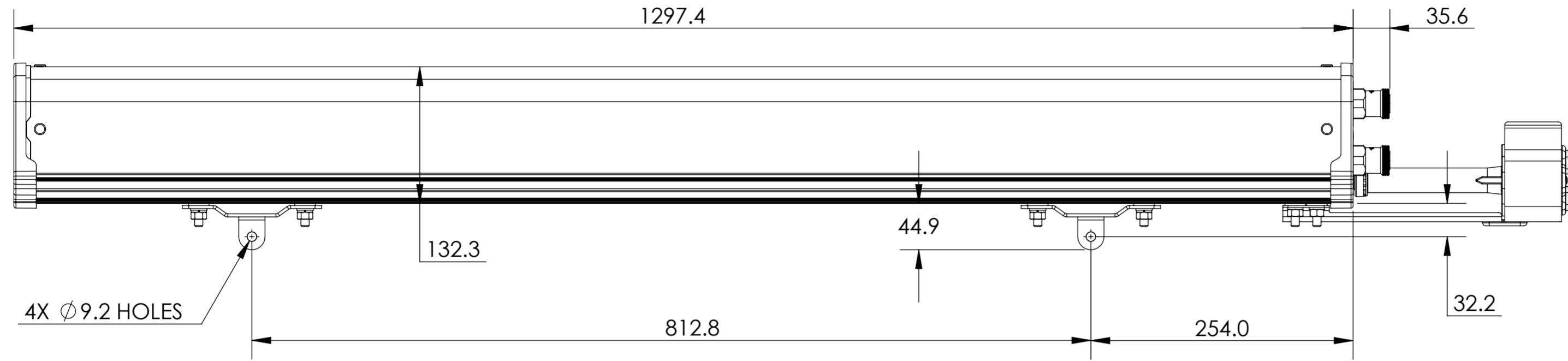
4

3

THIRD ANGLE PROJECTION

2

1



DBXLH-6565A-R3M
 DBXLH-6565A-E1M
 DBXLH-6565A-A1M
 DBXLH-6565A-R1M

		WESTCHESTER, IL. 60154 U.S.A.	
		PRODUCT DRAWING	
THIRD ANGLE PROJECTION	SIZE A2	CAGE CODE 84147	DOCUMENT NO. DBXTH-6565A-VTM-L
NOTICE: These drawings and specifications are the proprietary property of ANDREW CORPORATION and may be used only for the specific purpose authorized in writing by Andrew.		VERSION 14	STATUS RE
		REVISION R	SHEET 3 OF 4

D
C
B
A

4 3 2 1

4 3 2 1

THIRD ANGLE PROJECTION

4

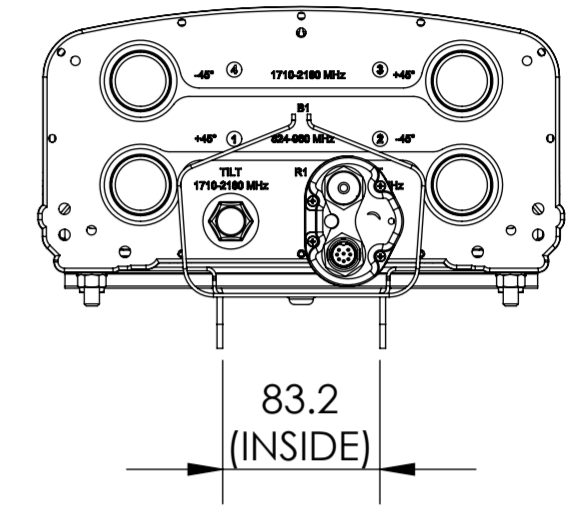
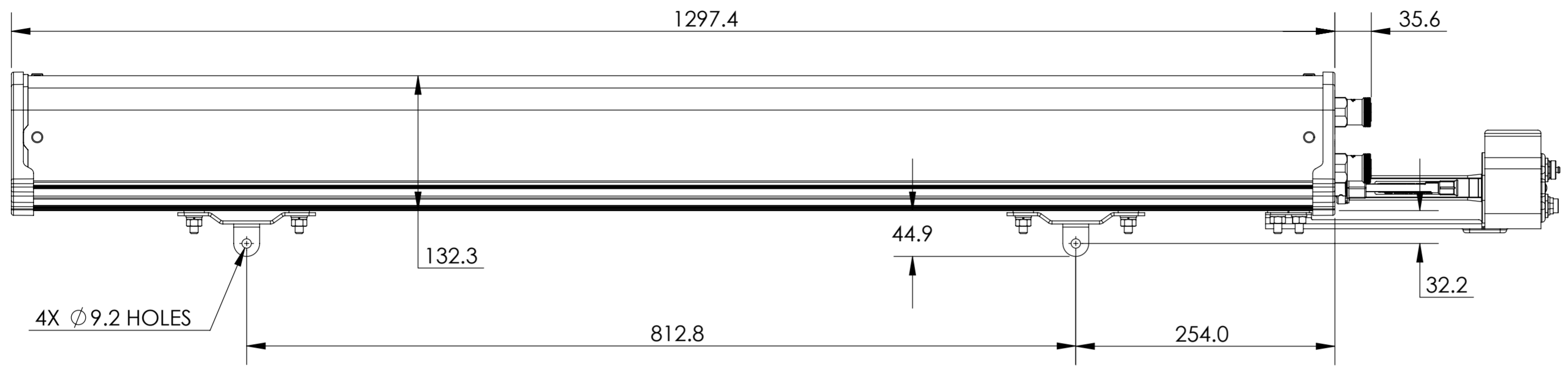
3

2

1

D

D

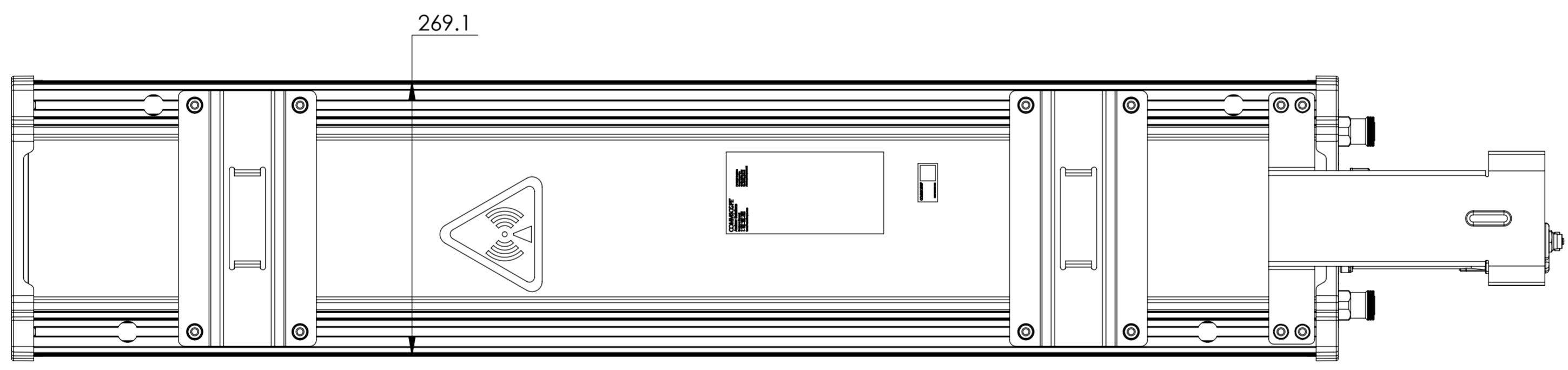


C

C

THIRD ANGLE PROJECTION

THIRD ANGLE PROJECTION



DBXLH-6565A-ELM
DBXLH-6565A-ALM

A

A

ANDREW WESTCHESTER, IL. 60154
U.S.A.

PRODUCT DRAWING

THIRD ANGLE PROJECTION		SIZE	CAGE CODE	DOCUMENT NO.	VERSION	STATUS	REVISION	SHEET
		A2	84147	DBXTH-6565A-VTM-L	14	RE	R	4 OF 4

NOTICE: These drawings and specifications are the proprietary property of ANDREW CORPORATION and may be used only for the specific purpose authorized in writing by Andrew.

4

3

2

1

THIRD ANGLE PROJECTION