

8

7

6

5

4

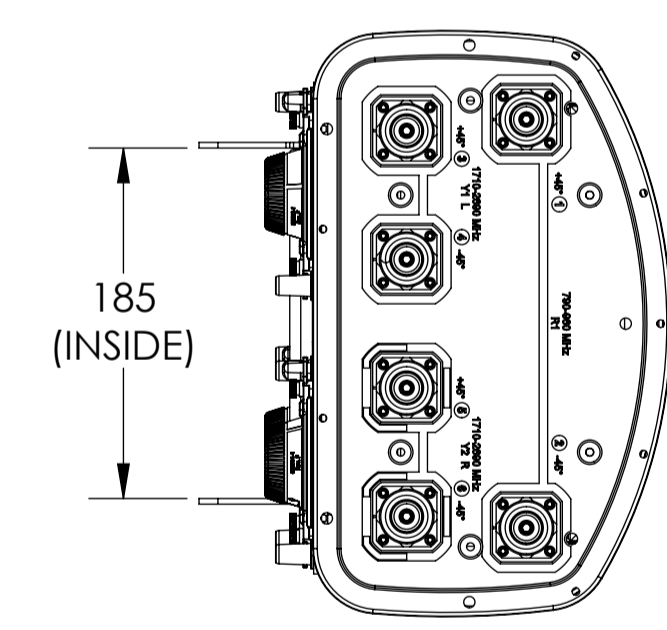
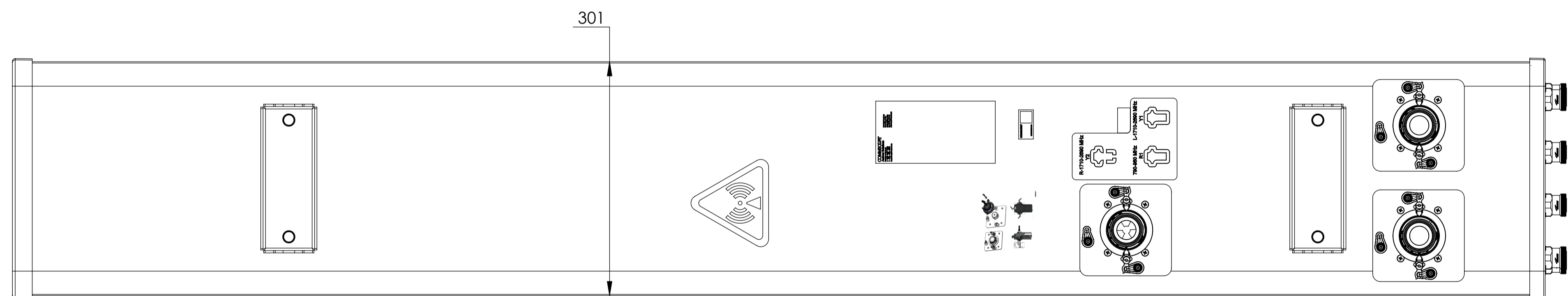
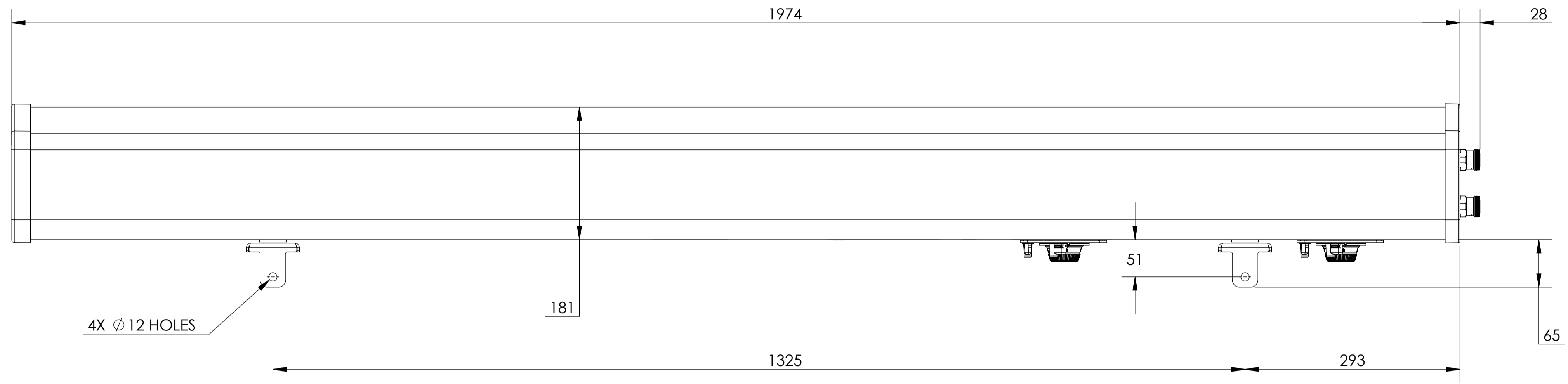
3

2

1

NOTES:

REVISIONS			
REV	DESCRIPTION	DATE	APPROVED
A	ECR 800000517: RELEASE TO PRODUCTION.	25APR13 XHX	S.LIU/JIHE
H	ECR 8000006791: UPDATE DRAWING WITH LATEST MODEL.	13FEB15 QF	S.LIU/JIHE
J	ECR 8000008834: ADD CVV65BSX-M.NM & CVV65BSX-3X2.NM.	24JUN15 LS	S.LIU/JIHE
K	ECR 8000015302: ENDCAP REVISION UPGRADE.	01AUG16 HWN	S.LIU/JIHE
L	ECR 8000028114: ENDCAP REVISION UPGRADE.	26JAN18 ZLL	S.LIU/JIHE



CVV65BSX-M
 CVV65BSXT-M
 CVV65BSX-M.NM

THIRD ANGLE PROJECTION

MATERIAL N/A	DENSITY: MASS:	UNLESS OTHERWISE SPECIFIED DIMENSIONS ARE IN MILLIMETERS INTERPRET PER ISO STANDARDS HANDBOOK, TECHNICAL DRAWINGS, VOLUMES 1 & 2, THIRD EDITION (2002)	WESTCHESTER, IL. 60154 U.S.A.	
FINISH N/A	TOLERANCES 0 PLACE X± 1 PLACE .X± 2 PLACE .XX± ANGLES ± ALL SURFACES ✓	THIRD ANGLE PROJECTION		
DRAWN BY XHX 25ARP13		SIZE A1	CAGE CODE 84147	DOCUMENT NO. CVV65BSX-M-L
ECN 8000028114-O		AUTH. GROUP 23	MODEL	DRAWING
NOTICE: These drawings and specifications are the proprietary property of ANDREW CORPORATION and may be used only for the specific purpose authorized in writing by Andrew.		VERSION 08	STATUS RE	REVISION H
		VERSION 10	STATUS RE	REVISION L
				SHEET 1 OF 4

8

7

6

THIRD ANGLE PROJECTION

3

2

1

8

7

6

5

4

3

2

1

D

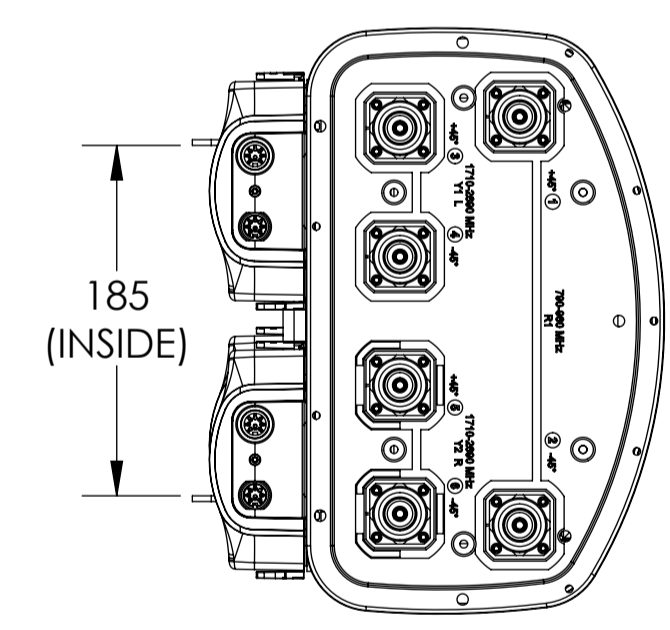
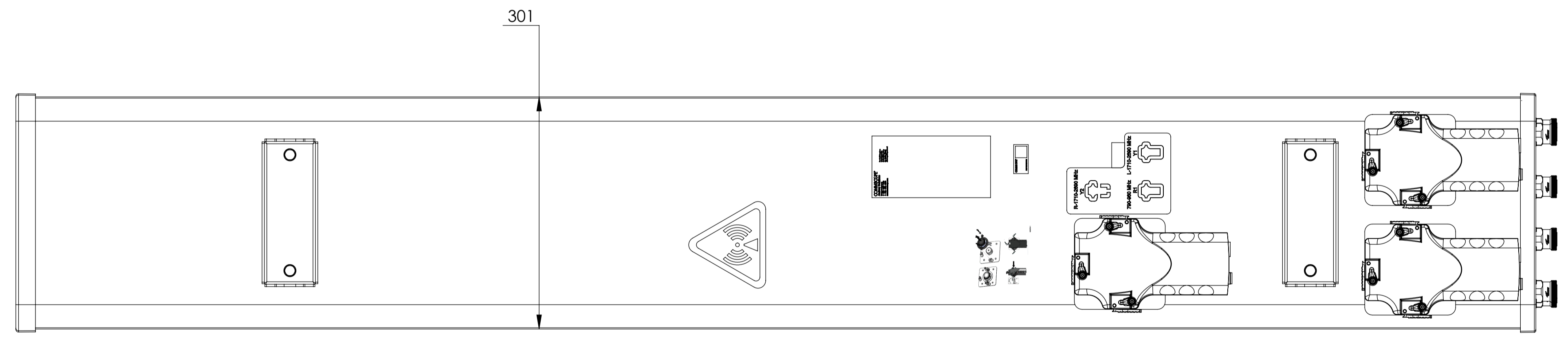
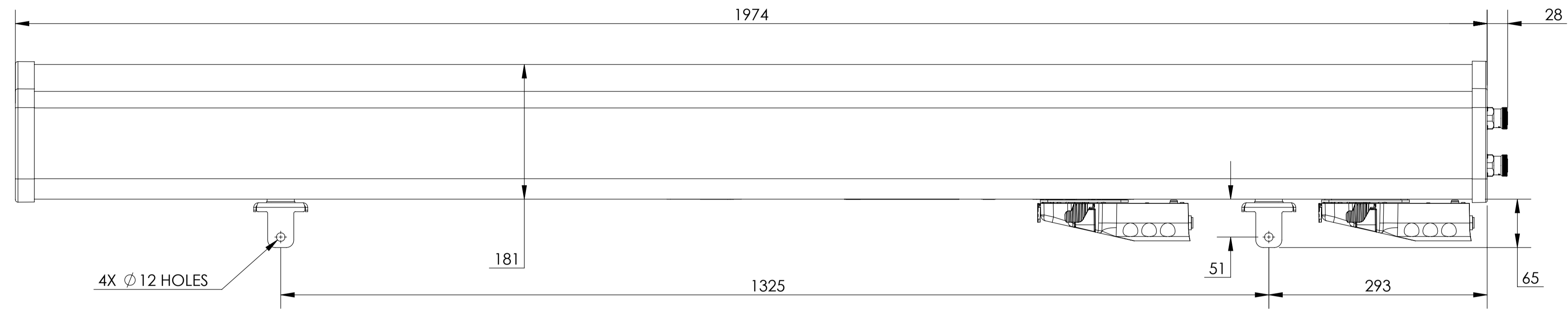
D

THIRD ANGLE PROJECTION

C

B

A



CVV65BSX-3X2
CVV65BSX-3X2.NM

ANDREW WESTCHESTER, IL. 60154
U.S.A.

PRODUCT DRAWING

THIRD ANGLE PROJECTION	SIZE A1	CAGE CODE 84147	DOCUMENT NO. CVV65BSX-M-L	VERSION 10	STATUS RE	REVISION L	SHEET 2 OF 4
------------------------	-------------------	---------------------------	-------------------------------------	---------------	--------------	---------------	-----------------

NOTICE: These drawings and specifications are the proprietary property of ANDREW CORPORATION and may be used only for the specific purpose authorized in writing by Andrew.

8

7

6

THIRD ANGLE PROJECTION

3

2

1

8

7

6

5

4

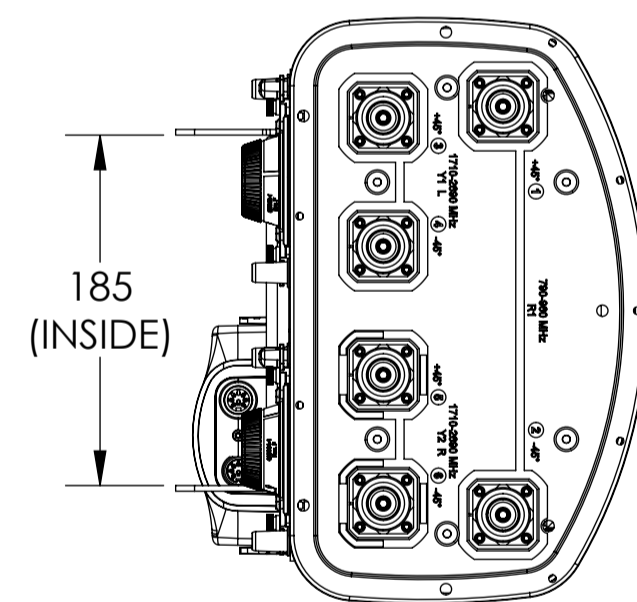
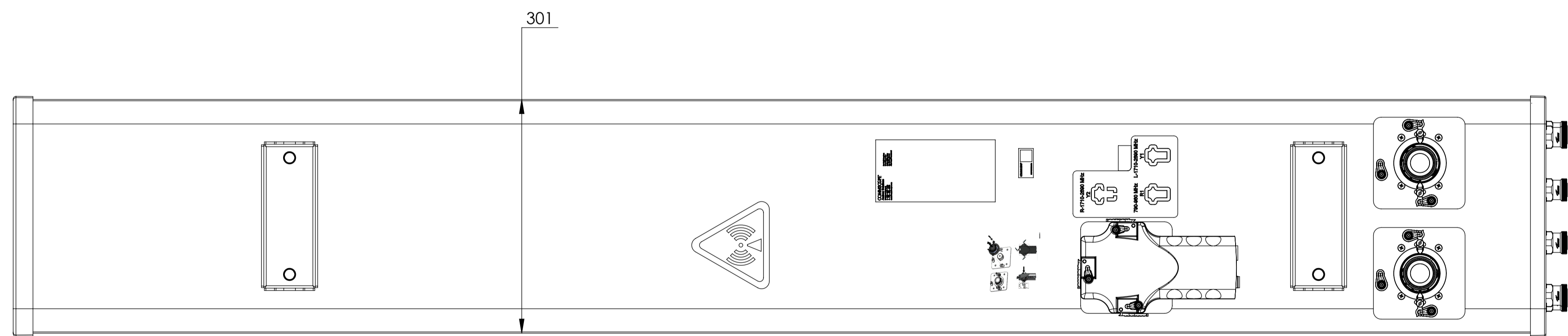
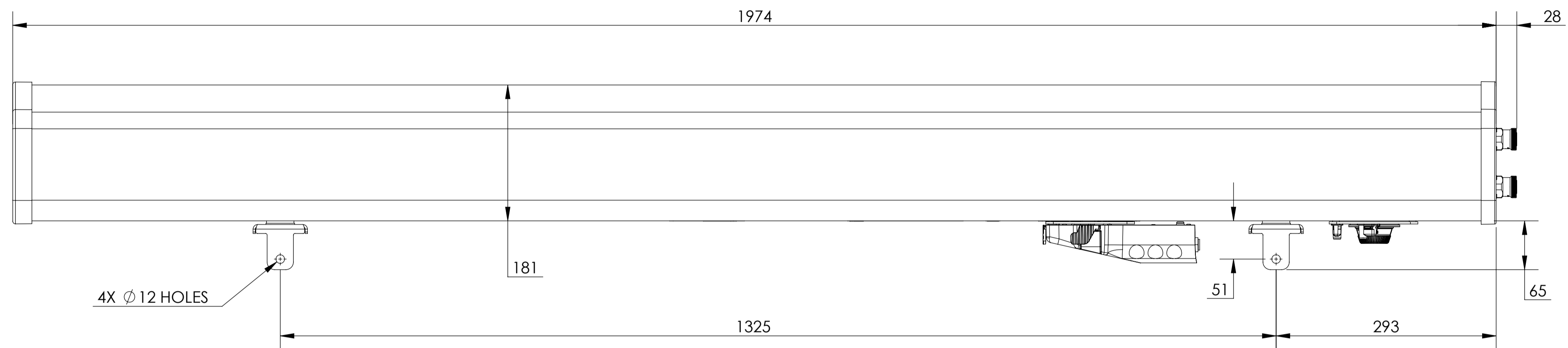
3

2

1

D

D



CVV65BSX-MM2

THIRD ANGLE PROJECTION

A

A

ANDREW® WESTCHESTER, IL. 60154 U.S.A.

PRODUCT DRAWING

THIRD ANGLE PROJECTION



SIZE **A1** CAGE CODE **84147**

DOCUMENT NO. **CVV65BSX-M-L**

NOTICE: These drawings and specifications are the proprietary property of ANDREW CORPORATION and may be used only for the specific purpose authorized in writing by Andrew.

VERSION	STATUS	REVISION	SHEET
10	RE	L	3 OF 4

8

7

6

THIRD ANGLE PROJECTION

3

2

1

8

7

6

5

4

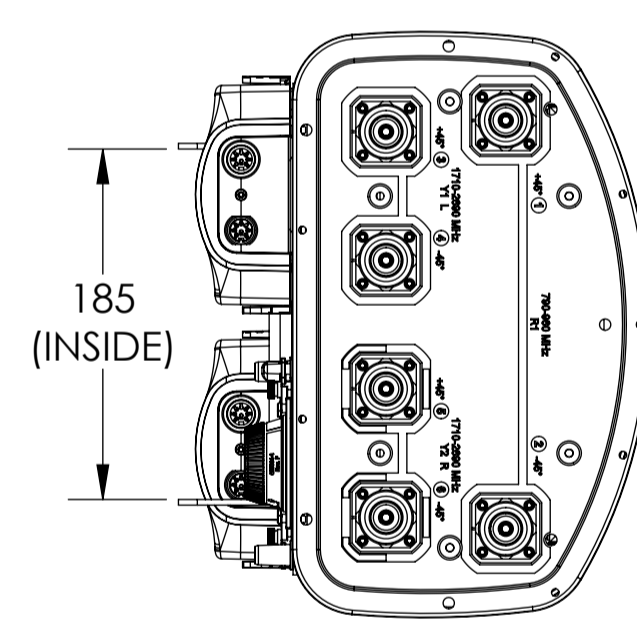
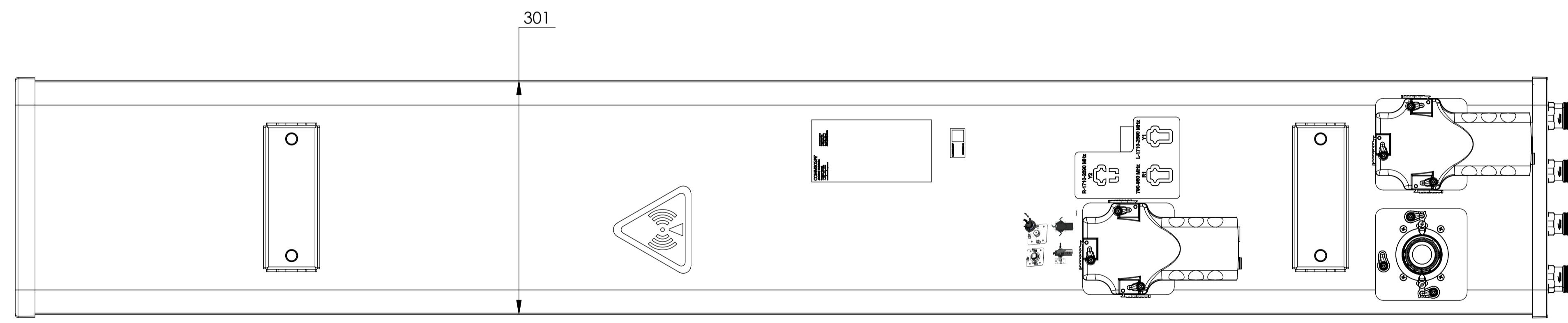
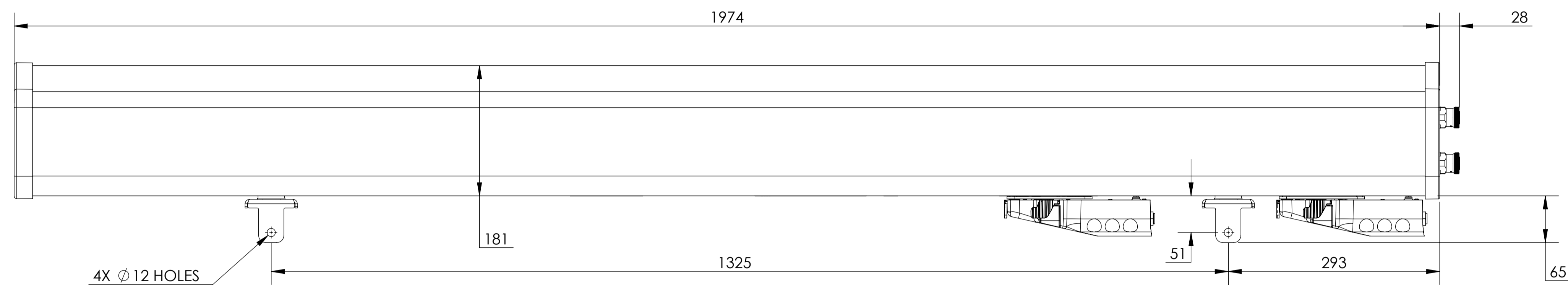
3

2

1

D

D



CVV65BSX-M22

THIRD ANGLE PROJECTION

A

A

ANDREW WESTCHESTER, IL. 60154
U.S.A.

PRODUCT DRAWING

THIRD ANGLE PROJECTION	SIZE A1	CAGE CODE 84147	DOCUMENT NO. CVV65BSX-M-L
	VERSION 10	STATUS RE	REVISION L
	SHEET 4 OF 4		

NOTICE: These drawings and specifications are the proprietary property of ANDREW CORPORATION and may be used only for the specific purpose authorized in writing by Andrew.

8

7

6

THIRD ANGLE PROJECTION

3

2

1