

8

7

6

5

4

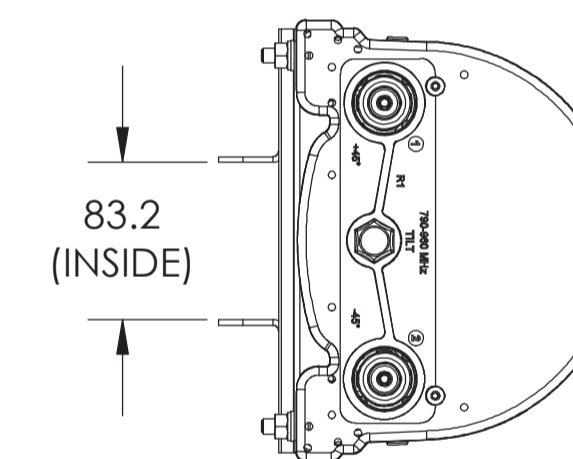
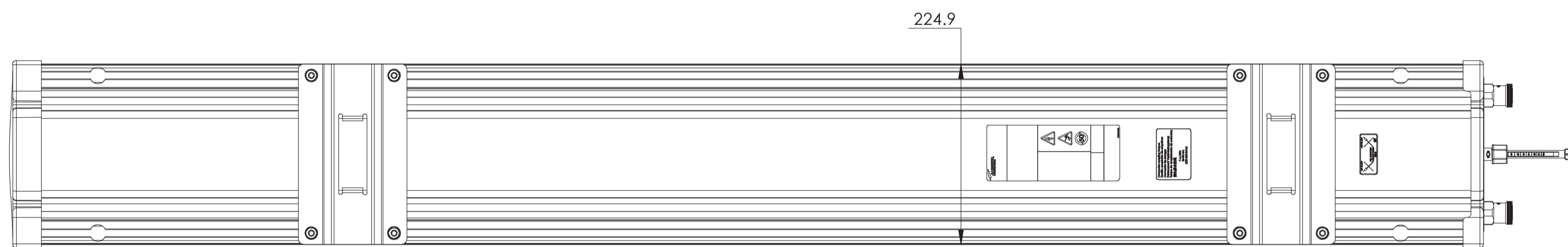
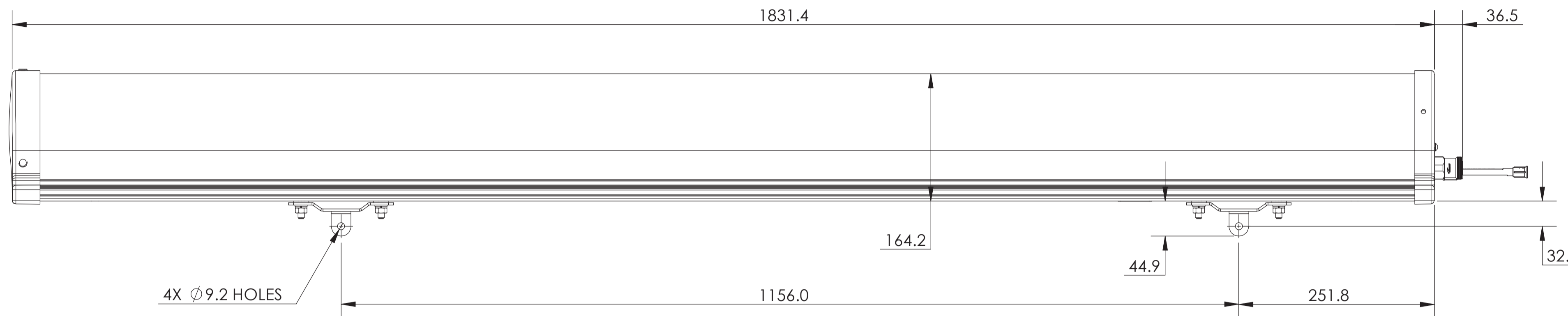
3

2

1

NOTES:

REVISIONS			
REV	DESCRIPTION	DATE	APPROVED
A	ECR 800000310: REL TO PRODUCTION PER EAO 600861.	29MAR13 YR	EB/GD
B	ECR 8000005285: ADD DXF FILE.	09OCT14 HWW	S.LIU/JIHE



LDX-9013DS-VTM

THIRD ANGLE PROJECTION

MATERIAL N/A	DENSITY: MASS:	UNLESS OTHERWISE SPECIFIED DIMENSIONS ARE IN MILLIMETERS INTERPRET PER ISO STANDARDS HANDBOOK, TECHNICAL DRAWINGS, VOLUMES 1 & 2, THIRD EDITION (2002)	WESTCHESTER, IL. 60154 U.S.A.	
FINISH N/A	TOLERANCES 0 PLACE X± 1 PLACE .X± 2 PLACE .XX± ANGLES ± ALL SURFACES ✓	THIRD ANGLE PROJECTION		
		PRODUCT DRAWING		
DRAWN BY YR 29MAR13		SIZE A1	CAGE CODE 84147	DOCUMENT NO. LDX-9013DS-VTM-L
ECN 8000005285-O		AUTH. GROUP 23	MODEL	DRAWING
NOTICE: These drawings and specifications are the proprietary property of ANDREW CORPORATION and may be used only for the specific purpose authorized in writing by Andrew.		VERSION 02	STATUS RE	REVISION B
		VERSION 01	STATUS RE	REVISION B
				SHEET 1 OF 2

8

7

6

THIRD ANGLE PROJECTION

3

2

1

8

7

6

5

4

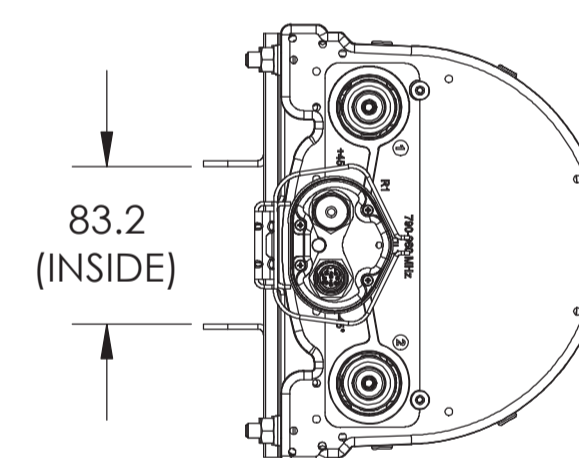
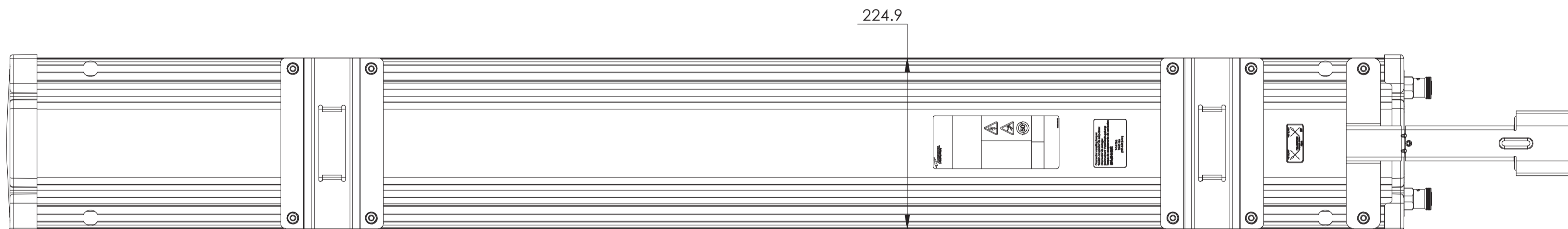
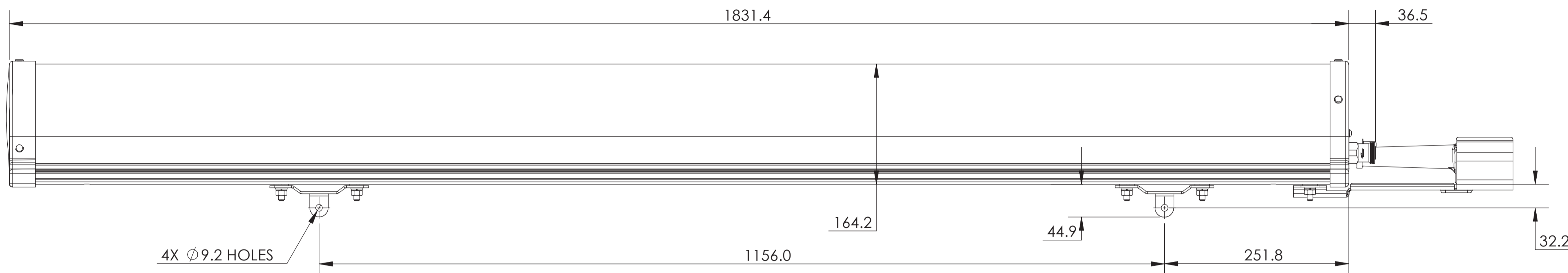
3

2

1

D

D



LDX-9013DS-A1M
LDX-9013DS-R2M

A

A

8

7

6

THIRD ANGLE PROJECTION

3

2

1

ANDREW WESTCHESTER, IL. 60154
U.S.A.

PRODUCT DRAWING

THIRD ANGLE PROJECTION



SIZE **A1 84147**

CAGE CODE

DOCUMENT NO. LDX-9013DS-VTM-L

NOTICE: These drawings and specifications are the proprietary property of ANDREW CORPORATION and may be used only for the specific purpose authorized in writing by Andrew.

VERSION	STATUS	REVISION	SHEET
01	RE	B	2 OF 2