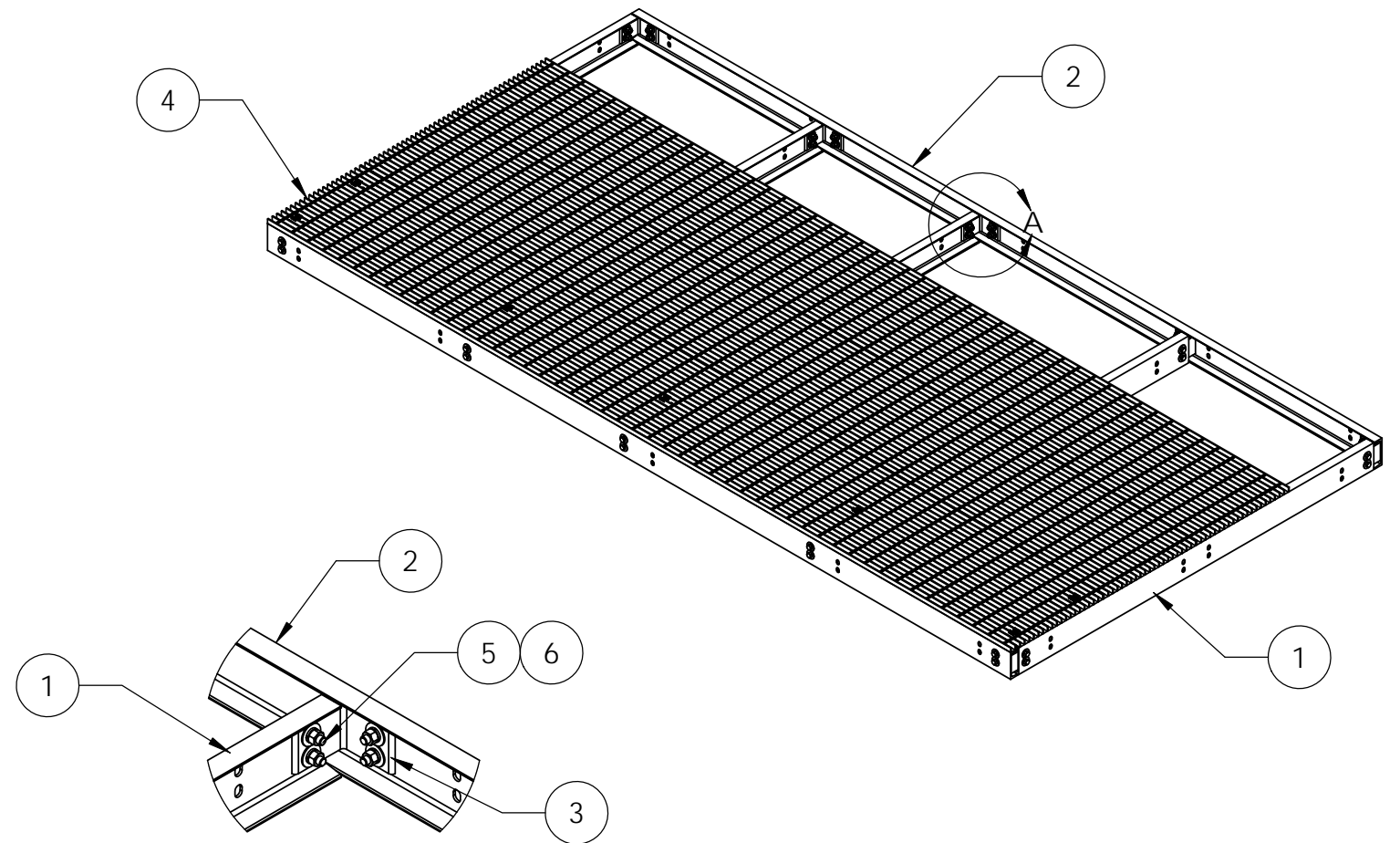
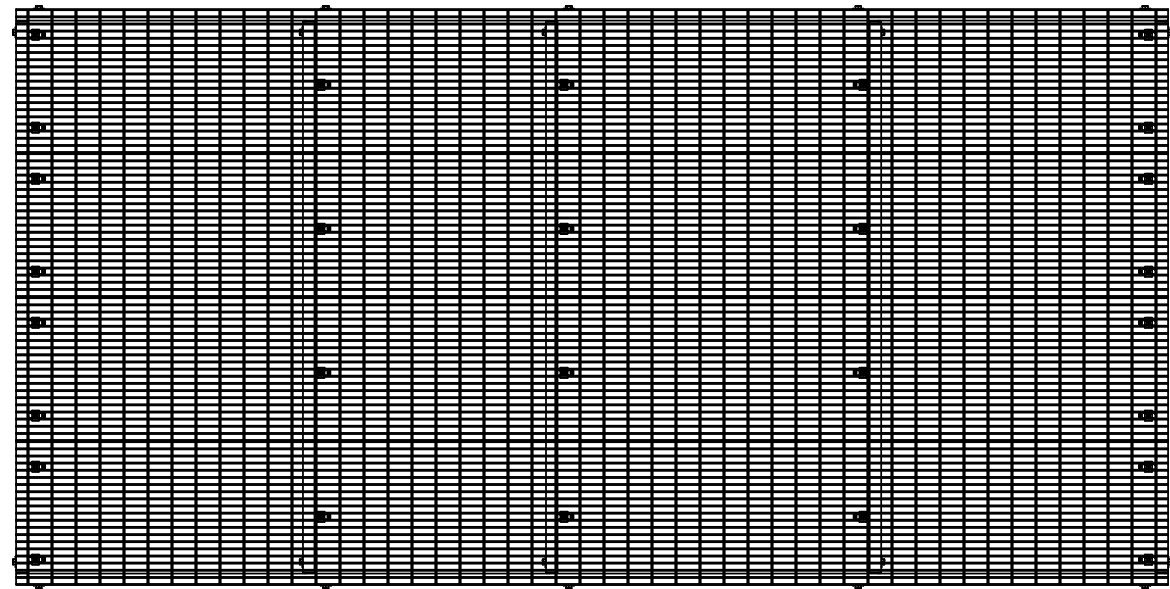
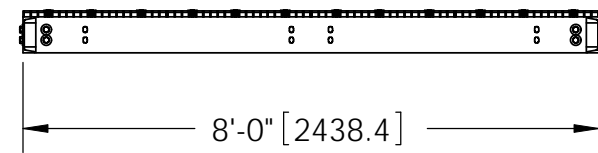
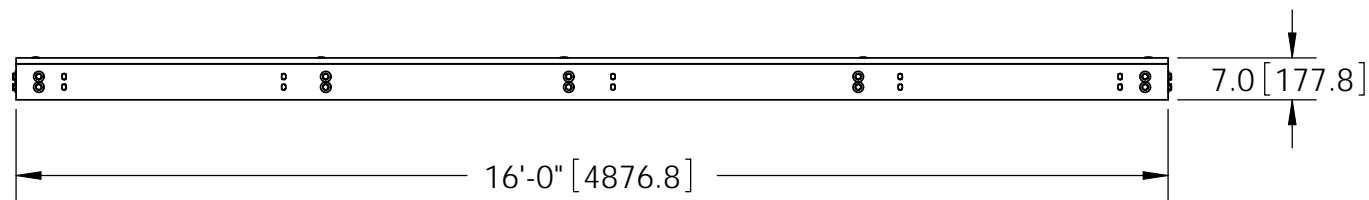


ITEM	PART NO.	DESCRIPTION	QTY.	WEIGHT
1	EQP6C081401	8' Platform Channel Center	5	62.66 LBS
2	EQP6C041601	16' Platform Channel Side	2	129.75 LBS
3	MTCP.01	6" Channel Adapter Angle	10	3.18 LBS
4	MTC79021416.04	24" X 192" BAR GRATING	4	232.78 LBS
5	GB-05205	5/8" X 2" GALV BOLT KIT	40	0.27 LBS
6	GWF-05	5/8" GALV FLAT WASHER	80	0.06 LBS
7	GCM03	GRATING CLIP	28	0.39 LBS

REVISIONS				
REV.	ZONE	DESCRIPTION	BY	DATE
A		INITIAL RELEASE	MSM	01/31/12




DETAIL A  
SCALE 1 : 12



NOTES:

- ALL METRIC DIMENSIONS ARE IN BRACKETS.
- GRATING REMOVED FOR CLARITY.

These drawings and specifications are the proprietary property of CommScope Inc. and may be used only for the specific purpose authorized in writing by CommScope Inc.  ALL DIMENSIONS ARE IN INCHES U.O.S. TOLERANCES UNLESS OTHERWISE SPECIFIED: .X = ± .12      ANGLES      ±2° .XX = ± .06      FRACTIONS      ±1/32 .XXX = ± .03  REMOVE BURRS AND BREAK EDGES .005  DO NOT SCALE THIS PRINT	DRAWN BY: MSM	SHEET: 1 of 1	PART NUMBER: EQ-P6C0816-B
	CHECKED BY: TP	SCALE: NTS	DESCRIPTION: 8' X 16' Equipment Platform
	DATE: 01/31/12	MATERIAL: A36, A568, A529	DRAWING TYPE: ASSEMBLY DRAWING
	REVISION: <b>A</b>	FINISH: GALV A123	
	WEIGHT: 1557.86 LBS		