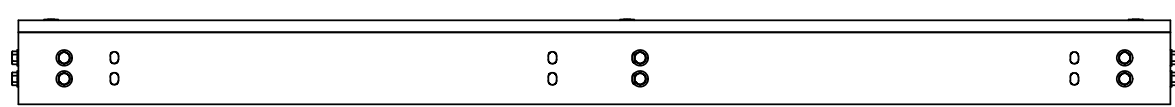
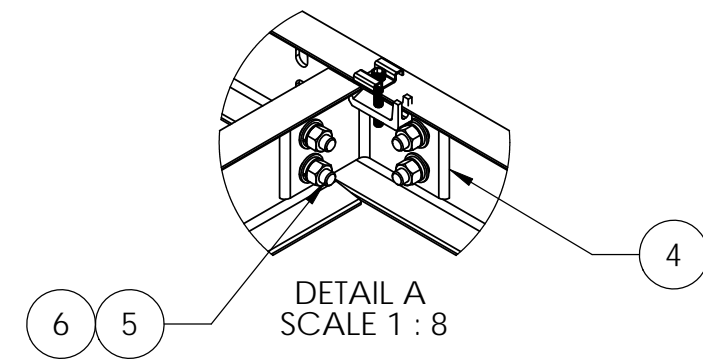
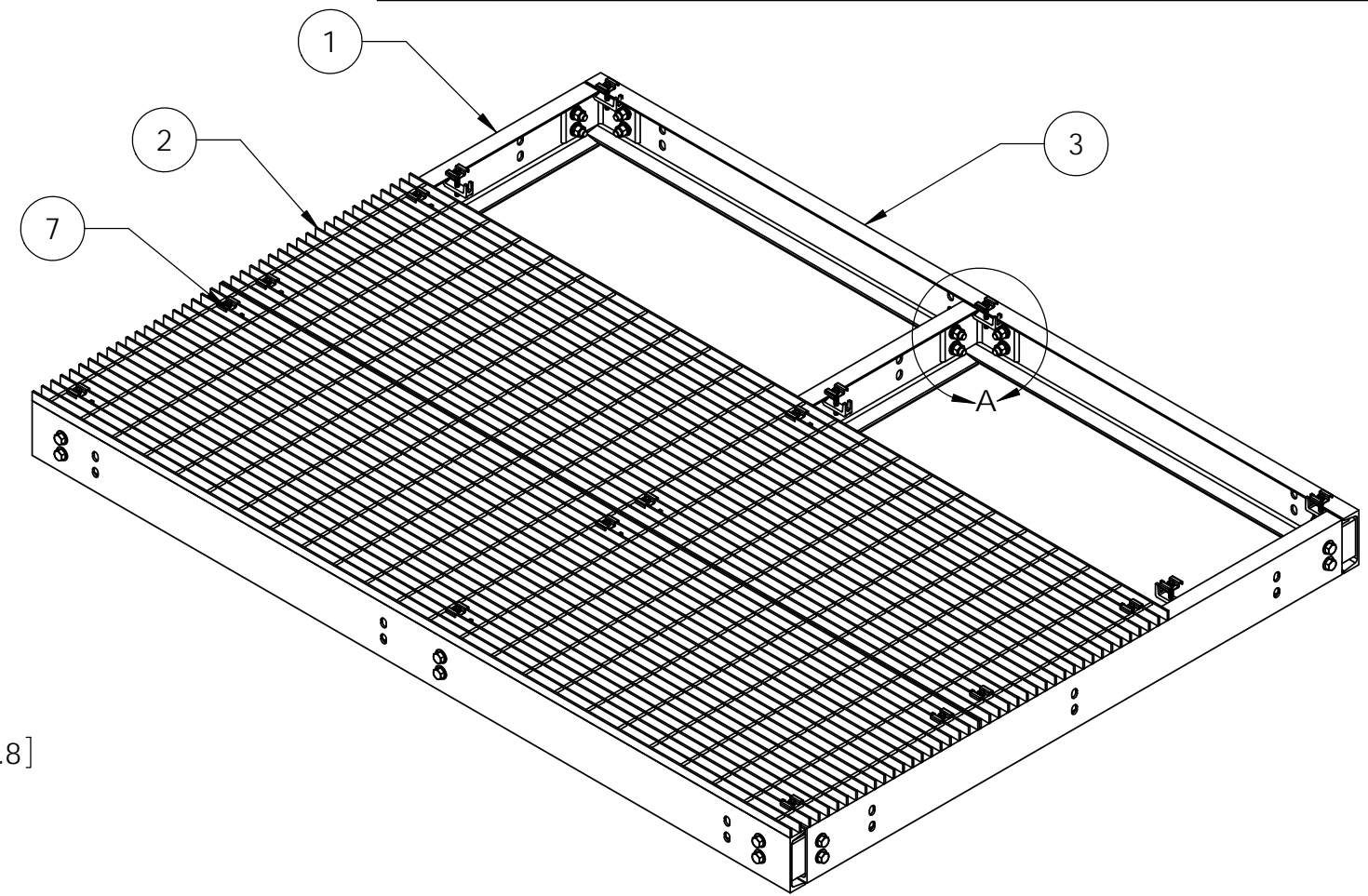
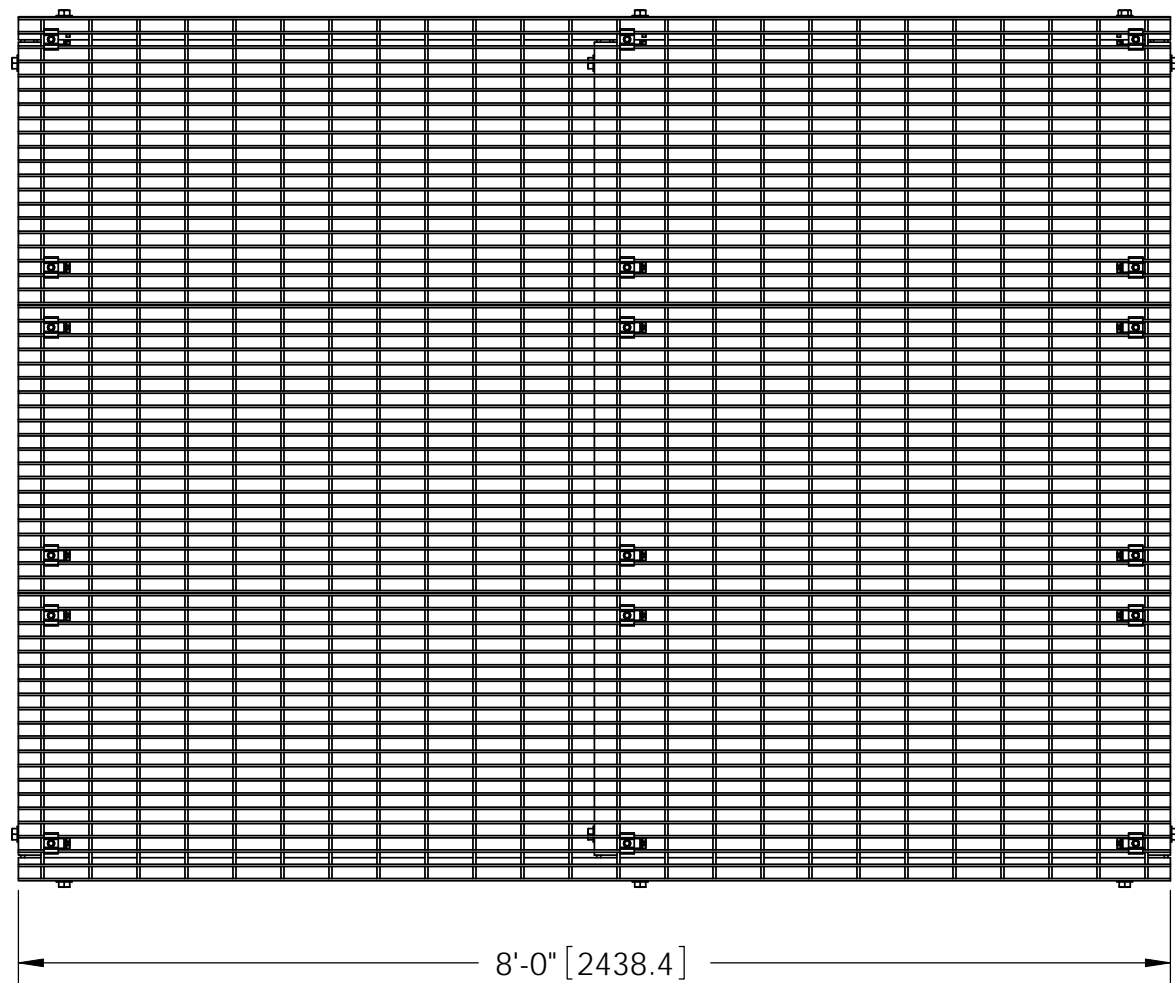



ITEM	PART NO.	DESCRIPTION	QTY.	WEIGHT
1	MTCPCC06.01	6' Platform Channel Center	3	46.23 LBS
2	EQP6C040802	24" X 96" Bar Grating	3	114.17 LBS
3	EQP6C040803	8' Platform Channel Side	2	64.81 LBS
4	MTCP.01	6" Channel Adapter Angle	6	3.18 LBS
5	GB-05205	5/8" X 2" GALV BOLT KIT	24	0.04 LBS
6	GWF-05	5/8" GALV FLAT WASHER	48	0.03 LBS
7	GCM03	GRATING CLIP	18	0.40 LBS

REVISIONS				
REV.	ZONE	DESCRIPTION	BY	DATE
A		INITIAL RELEASE	MSM	2/19/10



NOTES:
 1. ALL METRIC DIMENSIONS ARE IN BRACKETS.
 2. GRATING REMOVED FOR CLARITY.

These drawings and specifications are the proprietary property of ANDREW CORPORATION and may be used only for the specific purpose authorized in writing by Andrew Corporation. ALL DIMENSIONS ARE IN INCHES U.O.S. TOLERANCES UNLESS OTHERWISE SPECIFIED: .X = ± .12 ANGLES ±2° .XX = ± .06 FRACTIONS ±1/32 .XXX = ± .03 REMOVE BURRS AND BREAK EDGES .005 DO NOT SCALE THIS PRINT	DRAWN BY: MSM	SHEET: 1 of 1	PART NUMBER: EQ-P6C0608-B
	CHECKED BY: TP	SCALE: NTS	DESCRIPTION: 6' X 8' Equipment Platform
	DATE: 02/19/10	MATERIAL: A36, A568	DRAWING TYPE: ASSEMBLY DRAWING
	REVISION: A	FINISH: GALV A123	 WESTCHESTER, IL. 60154 U.S.A.
	WEIGHT: 647.38 LBS		