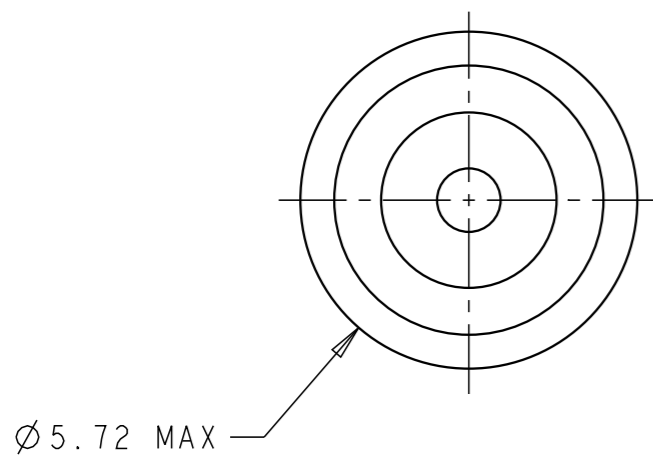
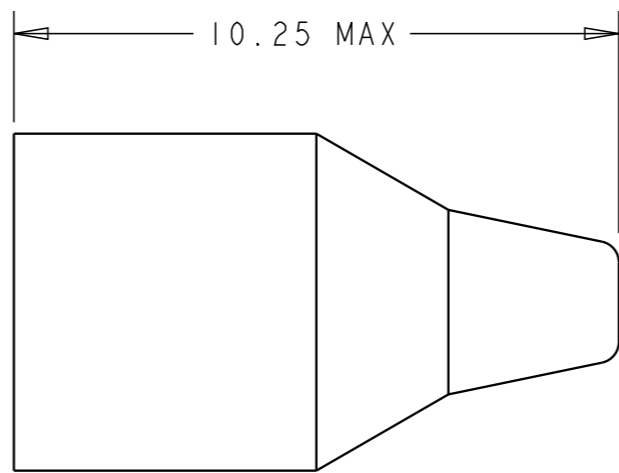
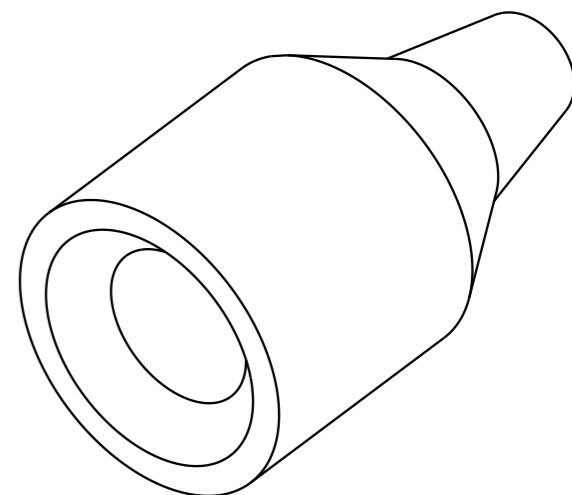


THIS DRAWING IS UNPUBLISHED. RELEASED FOR PUBLICATION

© 2016 COMMSCOPE, INC. CONFIDENTIAL NOTICE: THESE DRAWINGS AND SPECIFICATIONS ARE THE PROPRIETARY PROPERTY OF COMMSCOPE, INC. AND MAY BE USED ONLY FOR THE SPECIFIC PURPOSE AUTHORIZED IN WRITING BY COMMSCOPE, INC.

LOC	DIST	REVISIONS					
		P	LTR	DESCRIPTION	DATE	DWN	APVD
CE	00		C	ECR-05-009395	22AUG2005	EJH	SB
			D	REVISE PER ECR-06-029880	09JAN2007	BB	SM
			E	ECN 8000019536 - REBRANDING	26JAN2017	ARL	JUM



AQUA	6588612-8
GRAY	6588612-7
WHITE	6588612-6
BLACK	6588612-5
RED	6588612-4
GREEN	6588612-3
BLUE	6588612-2
BEIGE	6588612-1
COLOR	PART NO

TPE, UL 94 V-0 RATED AT QUALIFYING THICKNESS, SEE TABLE FOR COLORS.

THIS DRAWING IS A CONTROLLED DOCUMENT.		DWN E. HOPKINS 27JAN2005	COMMSCOPE, INC.			
DIMENSIONS: mm		CHK D. ERDMAN 27JAN2005				
		APVD S. BUCHTER 27JAN2005				
		NAME -				
TOLERANCES UNLESS OTHERWISE SPECIFIED:		PRODUCT SPEC -	BOOT, SHORT, BUFFER, LC/SC/FC			
0 PLC ±- 1 PLC ±- 2 PLC ±- 3 PLC ±- 4 PLC ±- ANGLES ±-		APPLICATION SPEC -				
MATERIAL -	FINISH -	WEIGHT -	SIZE A3	CAGE CODE -	DRAWING NO C-6588612	RESTRICTED TO -
CUSTOMER DRAWING			SCALE 8:1	SHEET 1	OF 1	REV E