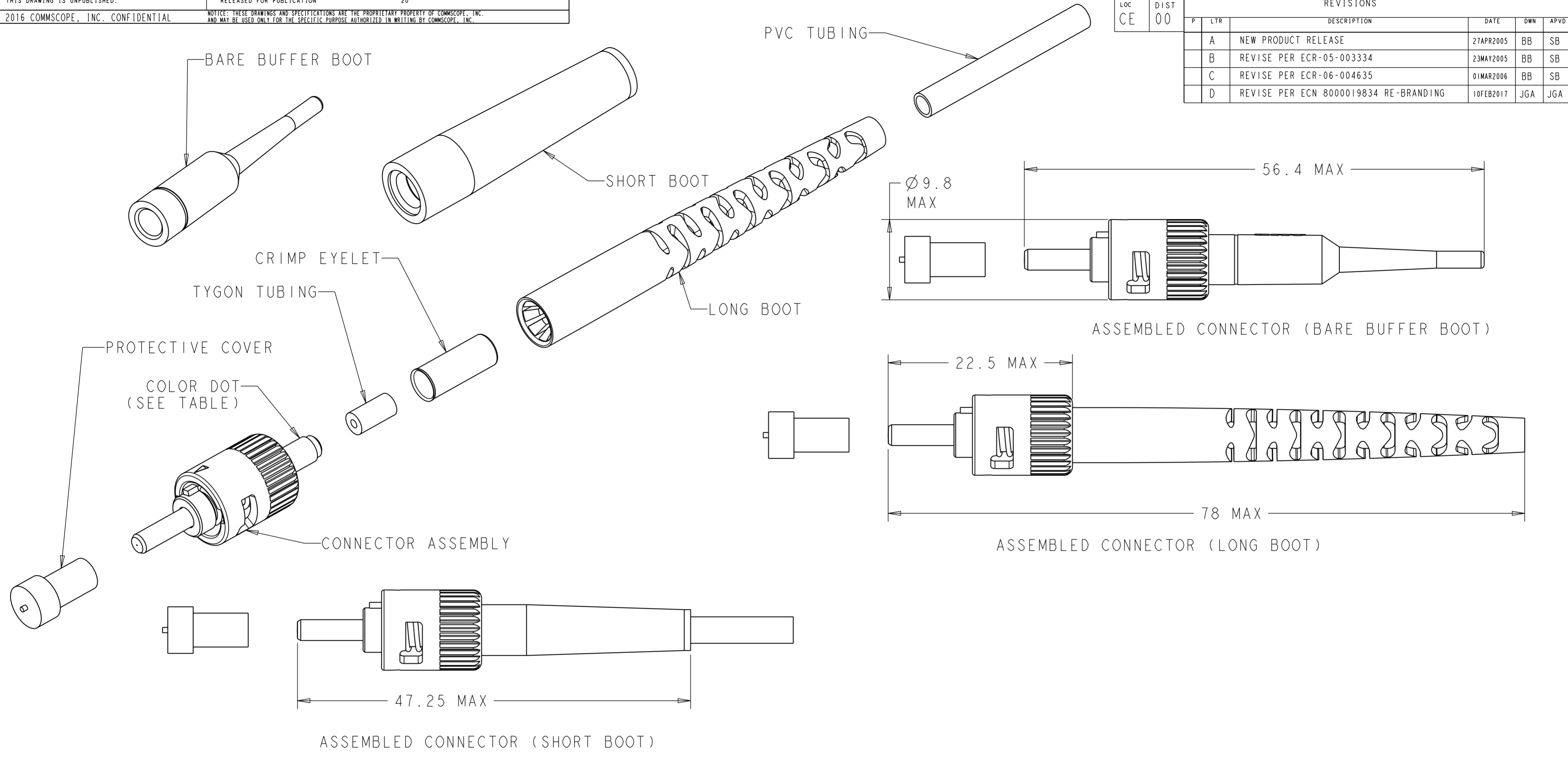


THIS DRAWING IS UNPUBLISHED. RELEASED FOR PUBLICATION 20  
 © 2016 COMMScope, INC. CONFIDENTIAL NOTICE: THESE DRAWINGS AND SPECIFICATIONS ARE THE PROPRIETARY PROPERTY OF COMMScope, INC. AND MAY BE USED ONLY FOR THE SPECIFIC PURPOSE AUTHORIZED IN WRITING BY COMMScope, INC.

REVISIONS				
P	LTR	DESCRIPTION	DATE	APVD
A		NEW PRODUCT RELEASE	27APR2005	BB SB
B		REVISE PER ECR-05-003334	23MAY2005	BB SB
C		REVISE PER ECR-06-004635	01MAR2006	BB SB
D		REVISE PER ECN 8000019834 RE-BRANDING	10FEB2017	JGA JGA



- 1 MATERIAL:**  
 PROTECTIVE COVER: LDPE, COLOR: BLACK, NON-FR.  
 CONNECTOR ASSEMBLY:  
 FERRULE ASSEMBLY: CERAMIC/NICKEL PLATED BRASS.  
 SPRING: STAINLESS STEEL.  
 COUPLING NUT: ZINC.  
 RETENTION RING: STAINLESS STEEL.  
 CRIMP EYELET: TIN PLATED COPPER.  
 LONG BOOT: TPE, UL94 HB RATED AT QUALIFYING THICKNESS, SEE DASH NUMBER FOR COLOR.  
 SHORT BOOT: TPE, UL94 V-0 RATED AT QUALIFYING THICKNESS, SEE DASH NUMBER FOR COLOR.  
 BUFFER BOOT: TPE, UL94 V-0 RATED AT QUALIFYING THICKNESS, SEE DASH NUMBER FOR COLOR.  
 TYGON TUBING: TYGON, COLOR: CLEAR.  
 PVC TUBING: PVC, COLOR: BLACK, NON-FR.

**2 BULK PACKAGE.**

DESCRIPTION	BOOT COLOR	COLOR DOT	FIBER SIZE	PART NUMBER
SHORT BOOT	BLACK	-	125um	2-5501380-0
SHORT BOOT	BLACK	-	125um	1-5501380-6
LONG BOOT	BLACK	GREEN	140um	5501380-6
BARE BUFFER AND LONG BOOT	BLACK	-	125um	5501380-1

THIS DRAWING IS A CONTROLLED DOCUMENT.

DIMENSIONS: mm	TOLERANCES UNLESS OTHERWISE SPECIFIED:	DWN B. BRIGGS 27APR2005	<b>COMMScope, INC.</b>
	0 PLC ±	CHK S. BUCHTER 27APR2005	
	1 PLC ±	APVD S. BUCHTER 27APR2005	
	2 PLC ±	NAME	
MATERIAL	FINISH	PRODUCT SPEC	CONNECTOR KIT, 2.5mm BAYONET
		APPLICATION SPEC	SIZE CAGE CODE DRAWING NO RESTRICTED TO
		WEIGHT	A200779 C-5501380
		CUSTOMER DRAWING	SCALE 3:1 SHEET 1 OF 1 REV D